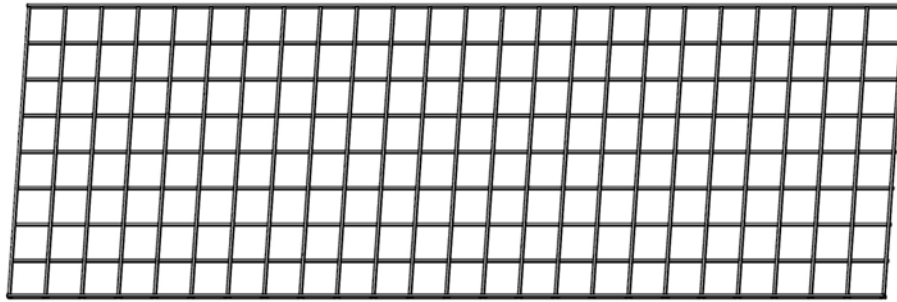
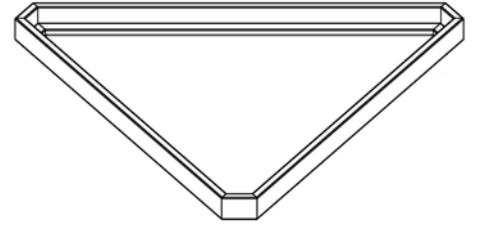


# ASSEMBLY INSTRUCTIONS

## 3-SIDED GRIDWALL FIXTURE - GRDTRI



Grid Panel (6)



Triangle Base (2)

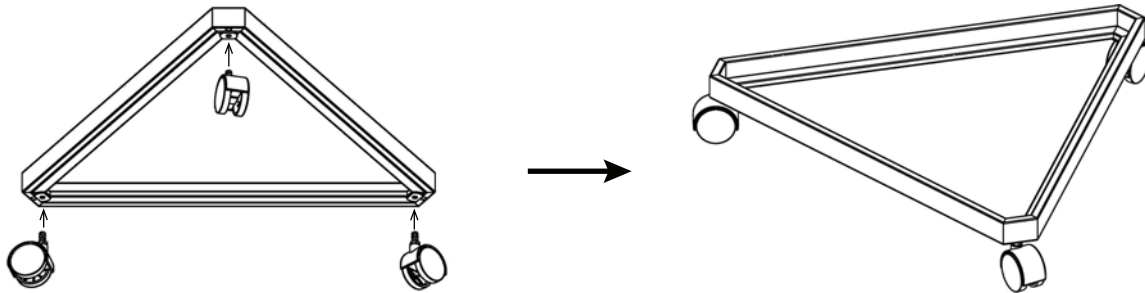


Caster (6)

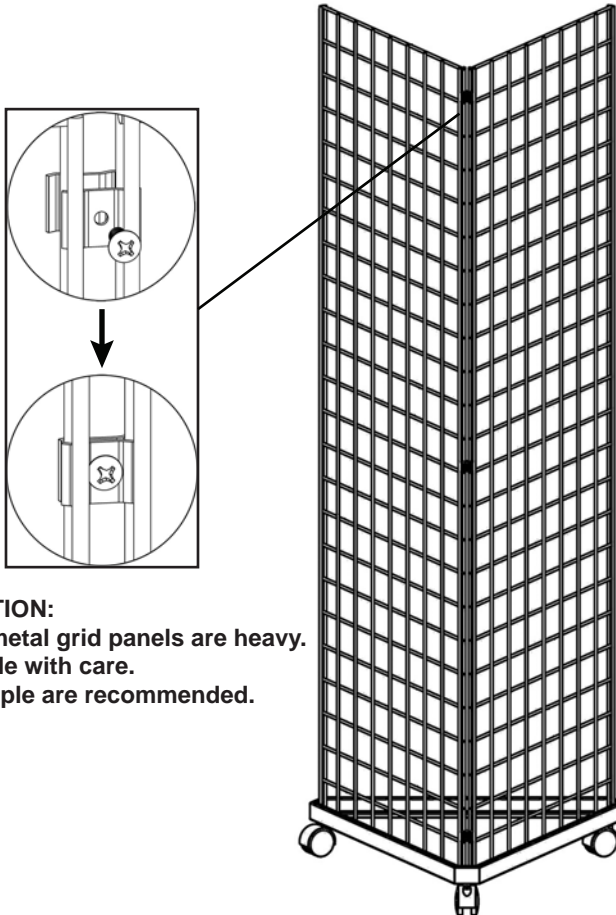


Connector (25)

1. Screw (3) casters into the bottom of the triangle base. Tighten all casters and place the assembled base on the ground.

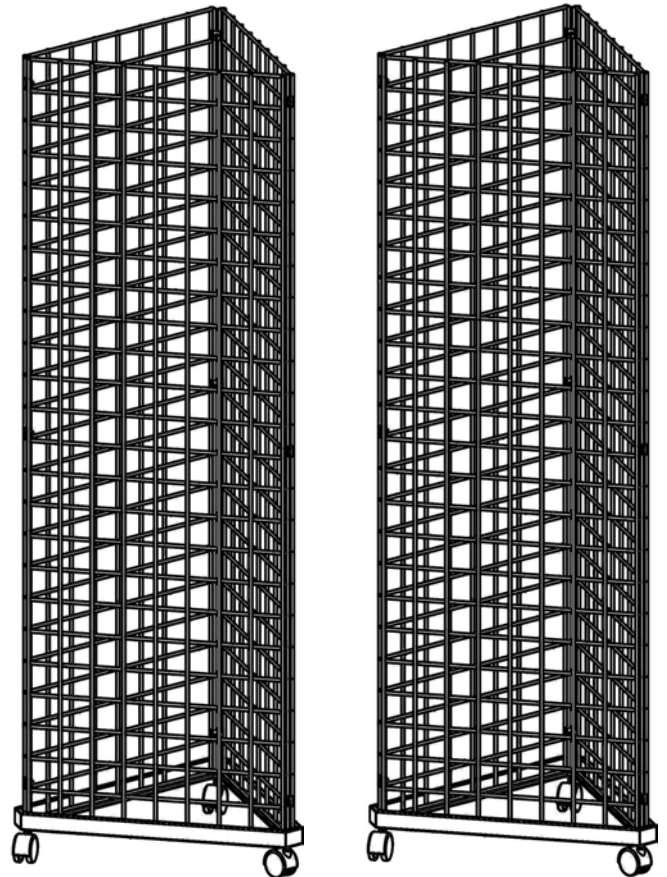


2. Carefully place (2) grid panels on (2) sides of the base. Connect adjacent metal wires to each other using connectors. Tighten connectors using a phillips screw driver.



**CAUTION:**  
The metal grid panels are heavy.  
Handle with care.  
2 people are recommended.

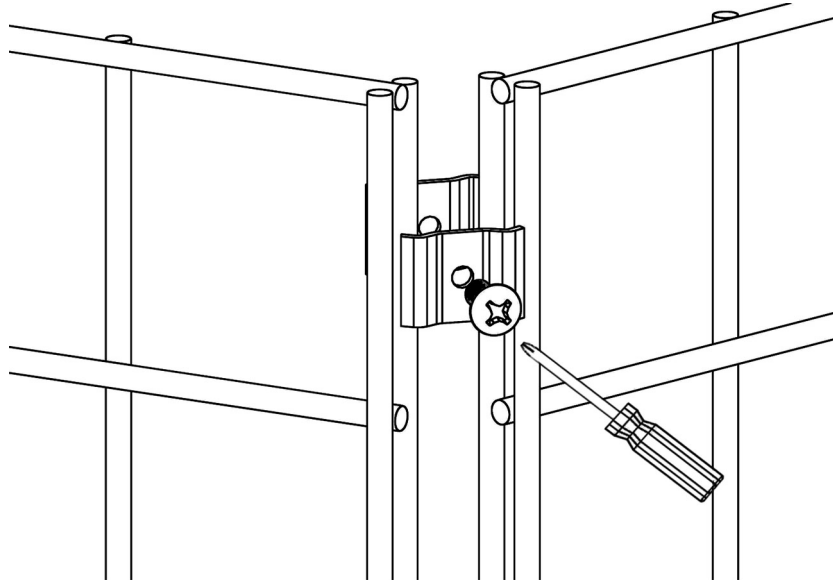
3. Place another grid panel on the 3rd side of the triangle base, then connect both sides of the panel with adjacent edges of the panels assembled in *STEP 2*. Set up the 2nd gridwall the same way. **NOTE:** The quantity of the connector is more than needed. Apply the connector where desired. Save the rest as spares for future use.



# ASSEMBLY INSTRUCTIONS

## GRIDWALL CONNECTOR - GRDCON

- ① Move (2) gridwall panels\* that need to be joined close to each other. Unscrew the connector to separate (2) clips. Clamp side wires on grid panels with (2) clips, then use a phillips screw driver to tighten the screw back to the center of the connector.



\*Gridwall panels sold separately.

- ② Install all the gridwall connectors and set the panels at the angle as needed.  
NOTE: (3) or more connectors are recommended for every (2) panels being connected. Evenly space the connectors along the edge of the panels.

