
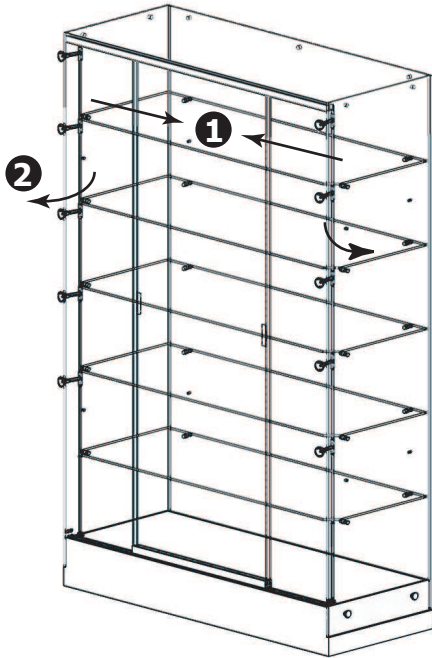


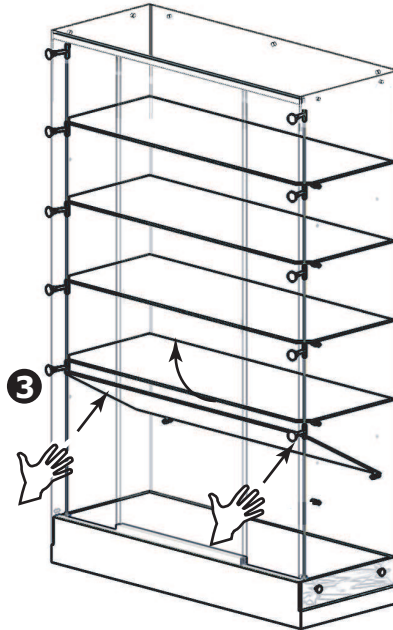
• GTEC Series Glass Tower Shelf Instructions •

*  We recommend two people perform the task of removing or adjusting shelves, as the shelves are heavy.

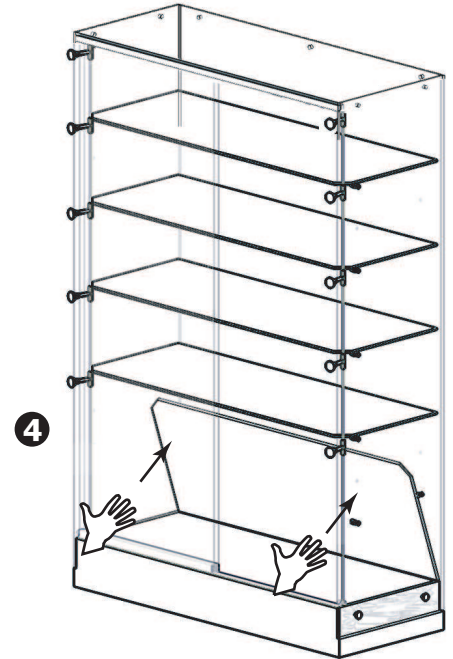
* We also recommend inserting protective foam or other material on shelf below when removing shelves. This will prevent lower shelf from getting damaged.



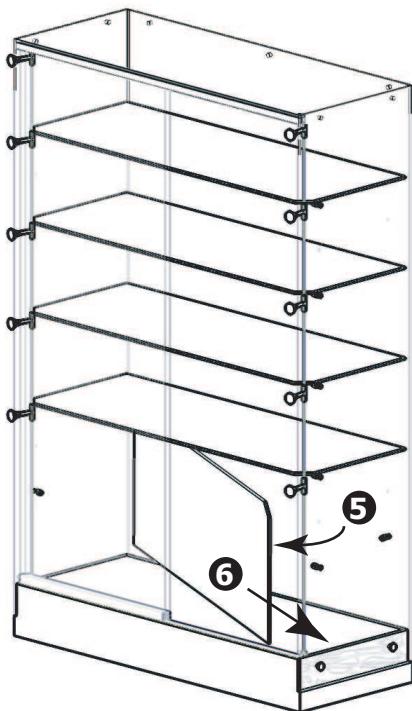
1. Slide doors to center of showcase.
2. Rotate track lighting outward.



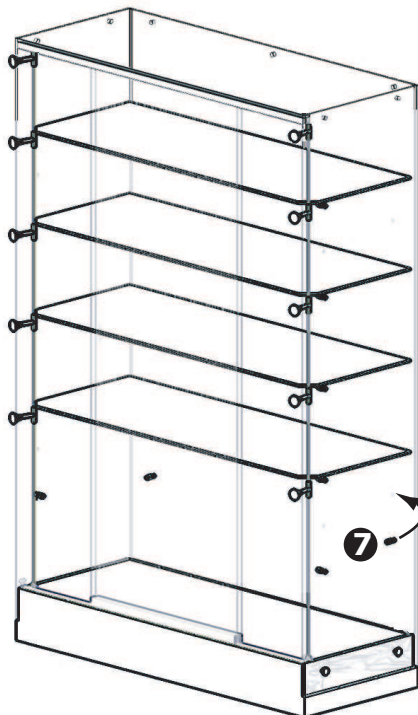
3. Lift front edge of shelf.



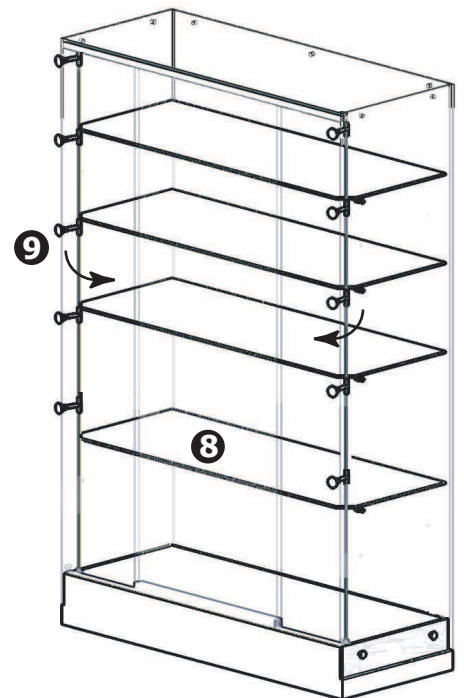
4. Adjust position to clear rear shelf pins.



5. Carefully rotate shelf diagonally.
6. Feed shelf out of case.



7. Unscrew and adjust shelf pins as necessary.



8. Repeat steps 3 & 4 to adjust shelf positioning.
9. Rotate track lighting inward.