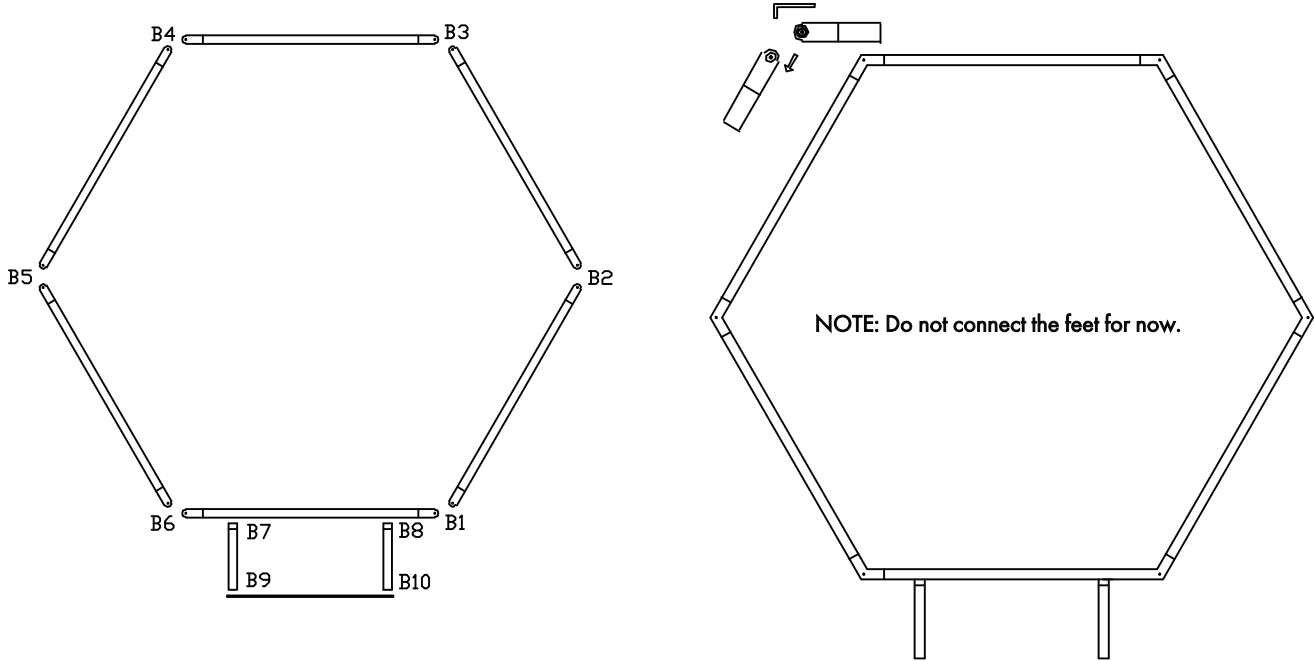


ASSEMBLY INSTRUCTIONS - Hexagonal Shape Backwall with Custom Graphics

SKU
HEXBWALLDS
HEXBWALLSS

1. Snap and connect frame tubes by matching labels at the end of each tube.

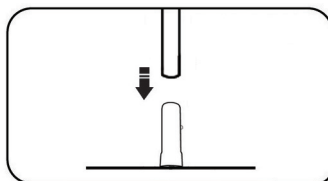
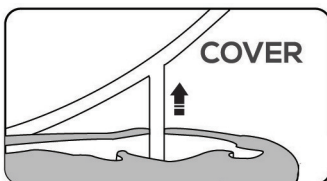
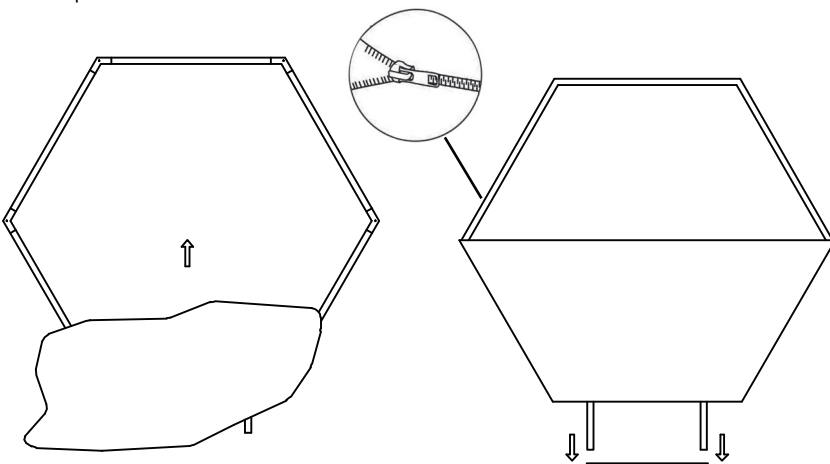


2. Carefully lay the assembled frame on a flat and clean surface. Slide the printed fabric to cover the frame from the bottom.

3. Zip the fabric along the tubes on the opening at the top. Stretch out the fabric if any wrinkle shows.

4. Snap the bottom of the frame into the foot as shown.

4. The assembly is finished.



Need a new message for your hardware?
Go to www.displays2go.com and order replacement graphics.
SKUs:
HEXBWALLSSCP or HEXBWALLDSCP

If you have any questions regarding our products, please visit us at www.displays2go.com or contact D2g customer service at 844-221-3388.