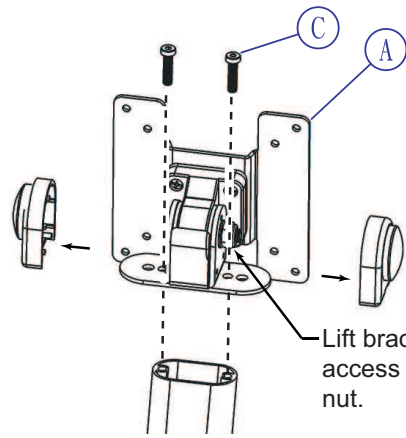






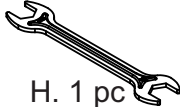


Max Load: 8 Kgs

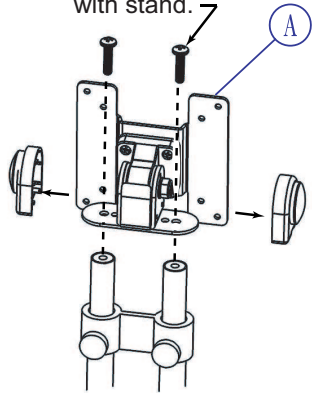
1.



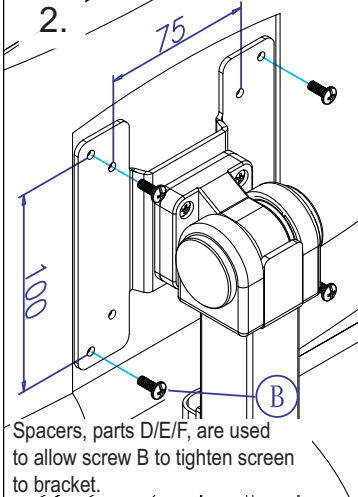
Part List:

-  B. M4x10 4 pcs
-  C. M5x16 2 pcs
-  D. 4 pcs
-  E. 4 pcs
-  F. 4 pcs
-  G. 1 pc
-  H. 1 pc

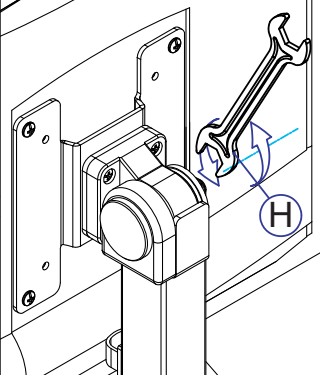
or 1. Screws supplied with stand.



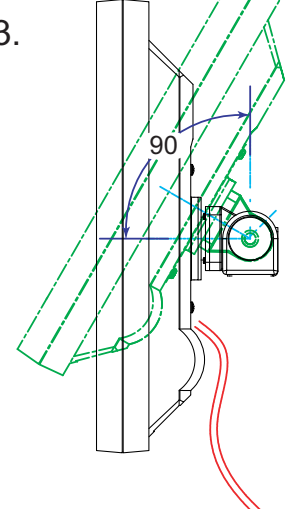
2.



Adjust torque...if necessary

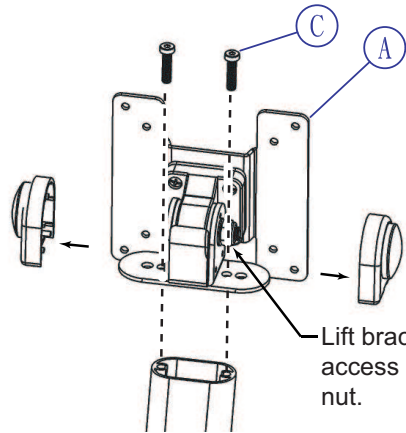


3.










Max Load: 8 Kgs

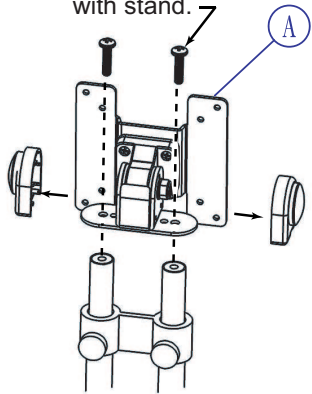
1.



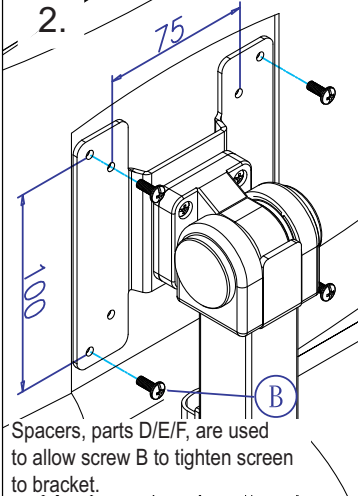
Part List:

-  B. M4x10 4 pcs
-  C. M5x16 2 pcs
-  D. 4 pcs
-  E. 4 pcs
-  F. 4 pcs
-  G. 1 pc
-  H. 1 pc

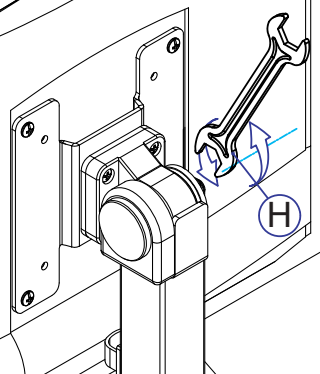
or 1. Screws supplied with stand.



2.



Adjust torque...if necessary



3.

