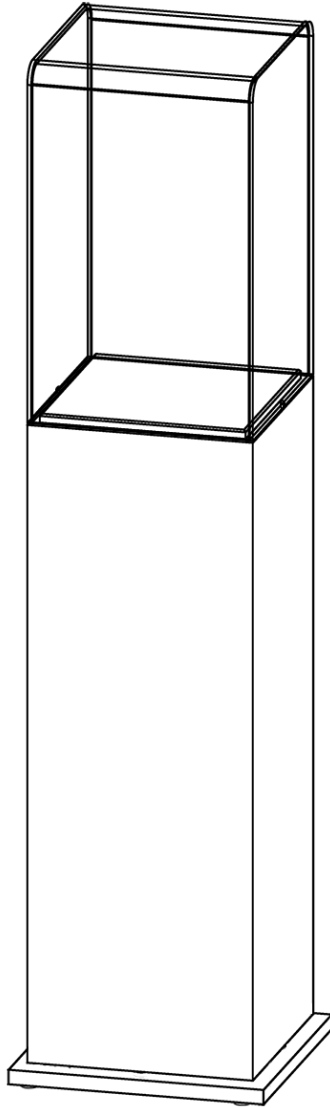




DISPLAYS2GO
CONNECTING PEOPLE & BRANDS WITH THE WORLD



SKUs: PEDSTNDBLK, PEDSTNDHRM

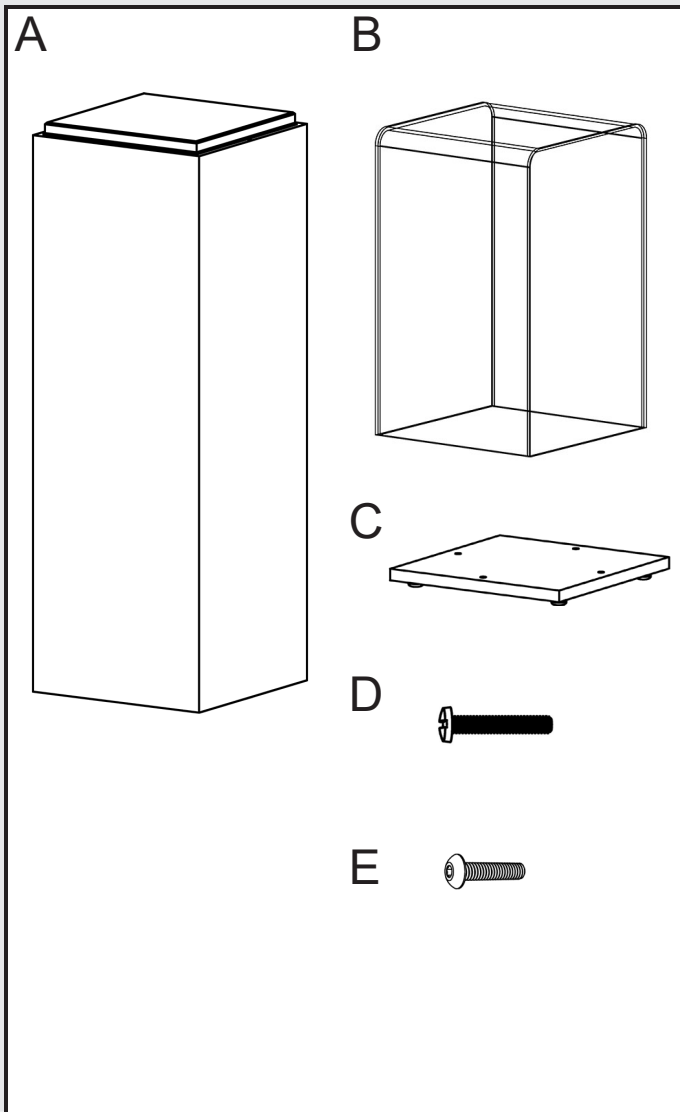
PEDESTAL DISPLAY CASE

Assembly Instructions

PARTS LIST



Scan QR code
to visit product
page



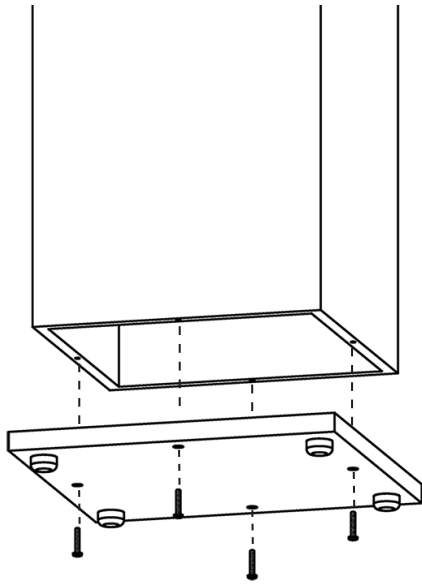
PART	QUANTITY
A: Pedestal Body.....	1
B: Display Case.....	1
C: Base	1
D: Screw 1 in.....	4
E: Screw .75in	2

Tools needed: Screw Driver

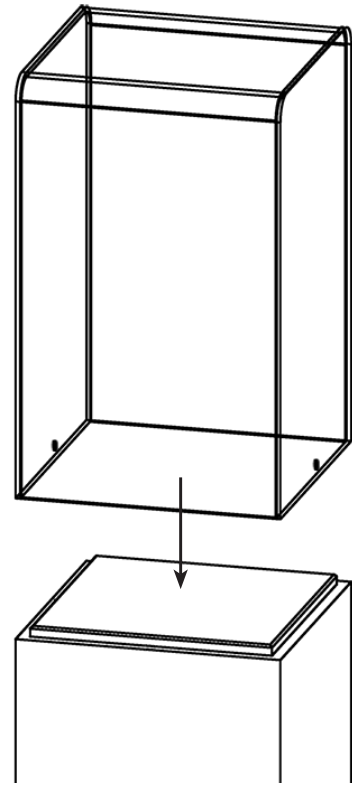
NOTE: Assemble the unit on soft cloth to avoid scratches. The assembly must be done on a level ground.

If you have any questions regarding our products, please visit us at www.displays2go.com or contact Displays2go customer service at 844-221-3388.

1

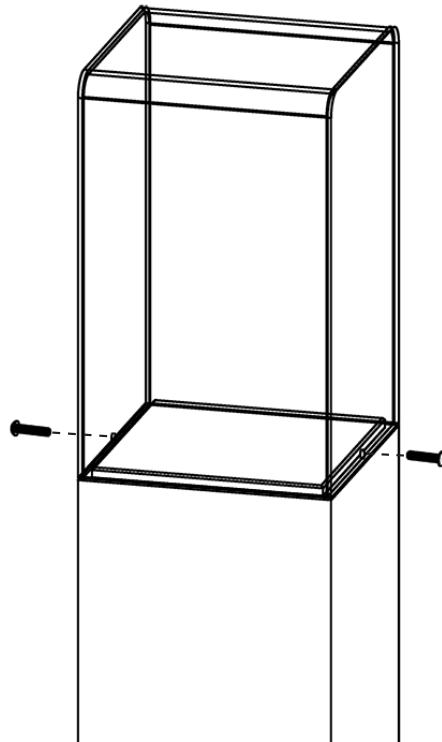


2



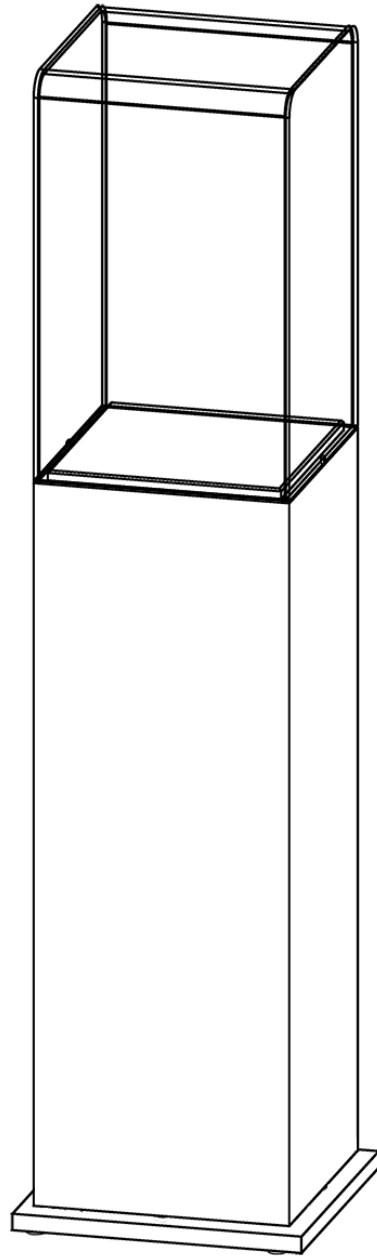
1. Use 1 inch screws and a screw driver (not included) to secure the base to the pedestal body.
2. Carefully place the displaying item at the center of the acrylic plate. Slowly lift the display case and place it on top of the pedestal.

3



3. Use the 3/4" long screws to secure the clear display case from both sides.

4



4. The assembly is complete.

Enjoy your new pedestal!

CONTACT INFORMATION:
WEB: www.displays2go.com
PHONE: 844-221-3388.