

ASSEMBLY INSTRUCTIONS

PRIVAGL - GLASS PRIVACY PANEL

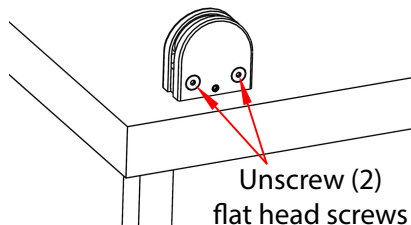
⚠ IMPORTANT SAFETY INFORMATION:

Please take time to read and understand all of the steps needed to finish the assembly. Product contains glass, handle with care. 2 people are recommended for assembly.

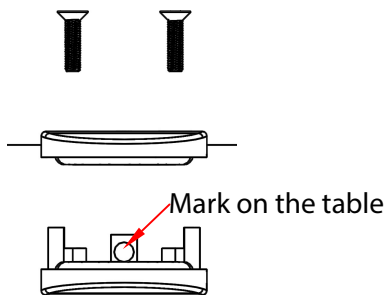
if you have any questions regarding our products, please contact D2G customer service.

1. Place (2) clamps at the desired location on the table.

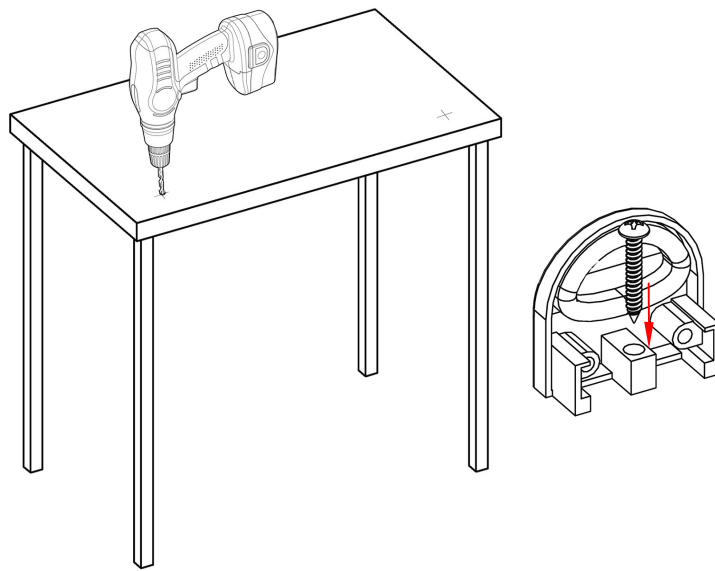
Tips: use the glass panel to help find the location.



Loosen the flat head screws and mark the center location of the hole on the table. Do the same for the 2nd clamp.

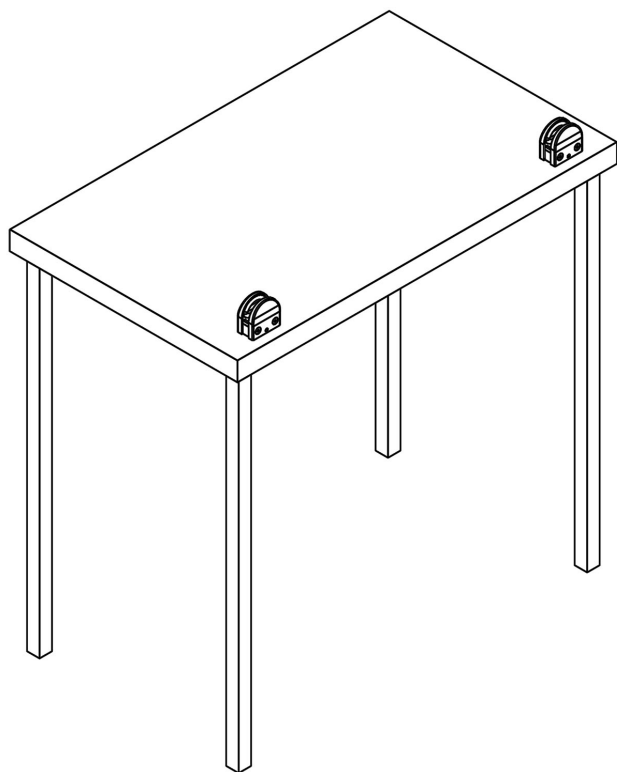


2. Drill the pilot holes at the marked location on the table, then fix the half clamp with pre-drilled hole onto the table by using the wood screws provided.



3. Attach the 2nd half of the clamp to the fixed half on the table.

Do not fully tighten flat head screws.



4. Carefully place the glass panel into the fixed clamp, then tighten all flat head screws.

