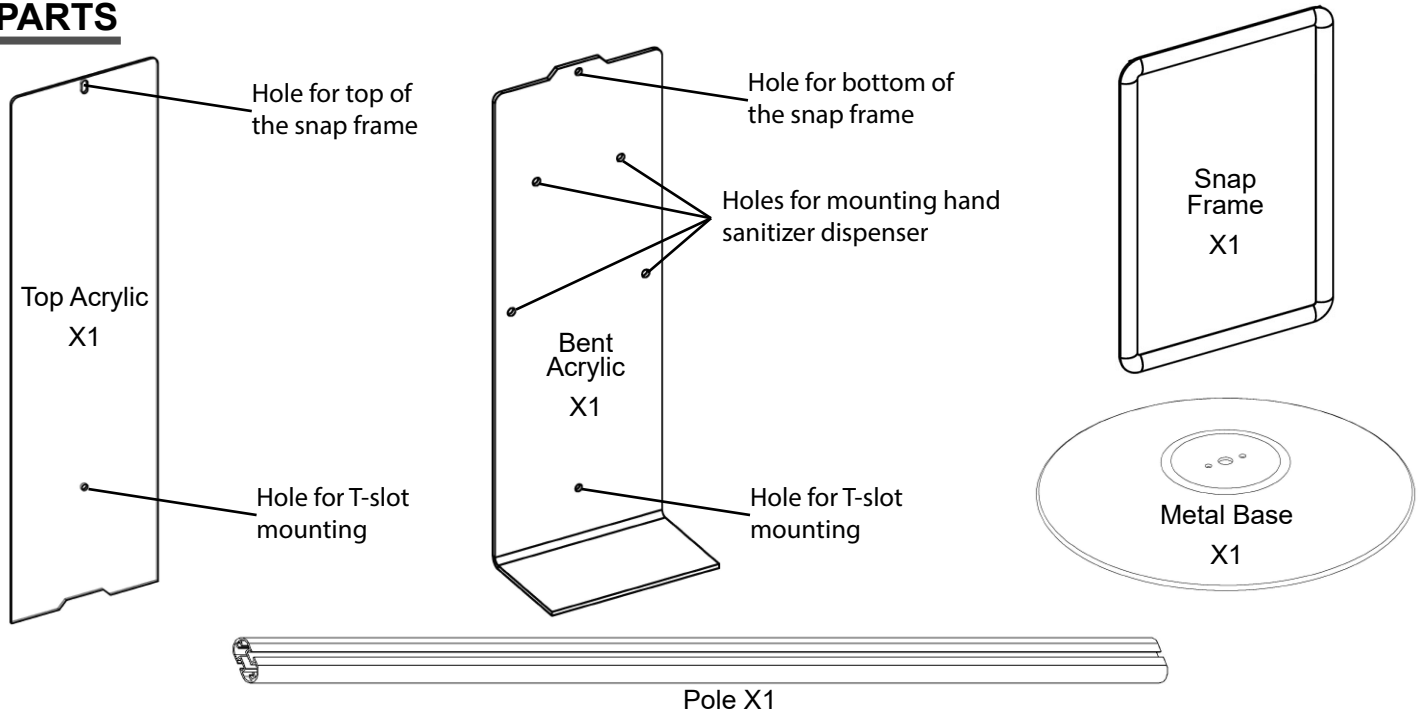
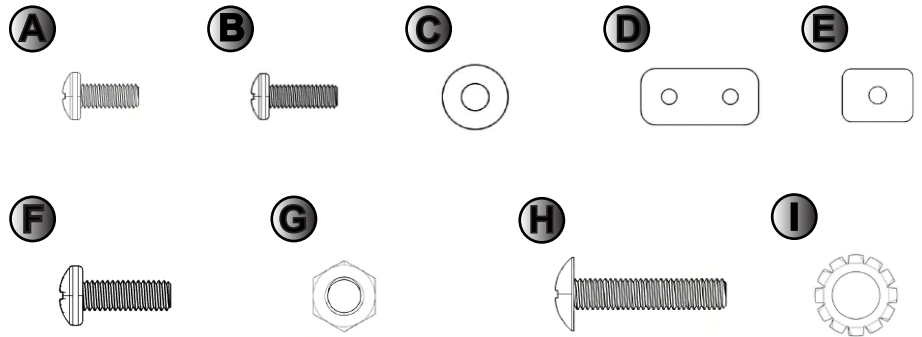


PARTS

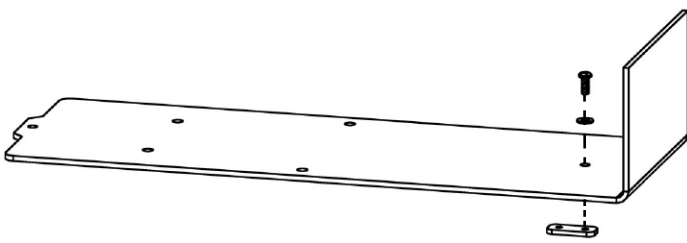


HARDWARE

A. M4x10mm Screw	X4
B. M4x14mm Screw	X2
C. M4 Washer	X4
D. Rectangle T-Slot Nut	X2
E. Square T-Slot Nut	X2
F. 8-32 x .625BCSPH	X2
G. 8-32 Hex Nut	X2
H. M6x30mm Screw	X2
I. M6 Serrated Lock Washer	X2

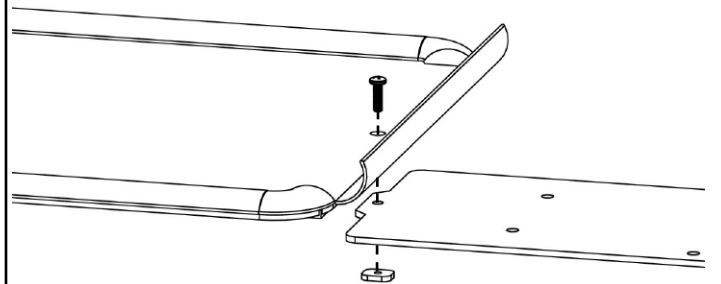


Step 1. Assemble (1) M4X10mm screw, (1) M4 washer and (1) Rectangle T-slot nut through the bottom hole of the Bent Acrylic as shown below:



Do not fully tighten the screw and the nut, leave them loose for inserting into T-slot.

Step 2. Assemble (1) M4X14mm screw and (1) Square T-slot nut through the bottom hole of the Snap Frame and the top hole of the Bent Acrylic as shown below:



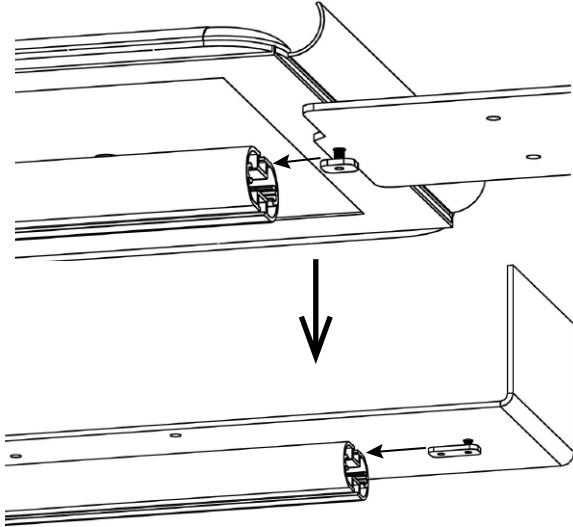
Do not fully tighten the screw and the nut. Leave a gap between nuts and the Bent Acrylic



ASSEMBLY INSTRUCTIONS - QCRND17PBK

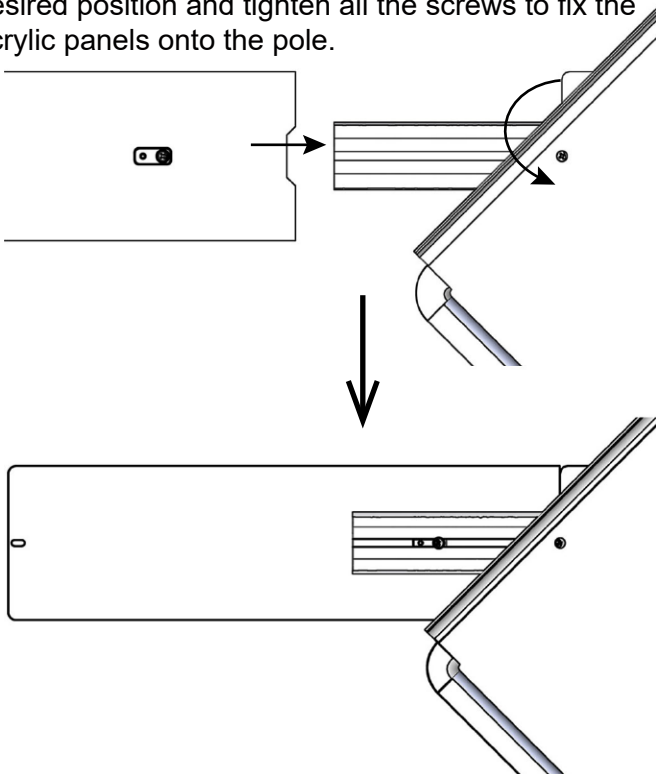
Step 3. Insert the Square nut into the T-slot in the Pole, then insert the Rectangle nut into the T-slot as shown below:

Tips: Lay the pole on the floor with T-slot facing up for easily adjusting the position of the position of the T-slot nut.

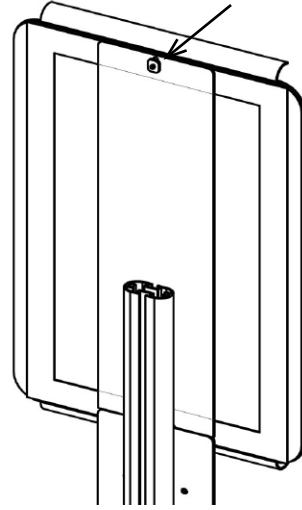


Step 4. Assemble (1) M4X10mm screw, (1) M4 washer and (1) Rectangle T-slot nut at the lower hole of the Top Acrylic. Remove the end cap from the top of the pole. Pivot the snap frame to the side.

Slide the assembled Top Acrylic down with Square Nut inserted into the T-slot from the top of the pole and align with the Bent Acrylic. Adjust the assembly to desired position and tighten all the screws to fix the acrylic panels onto the pole.



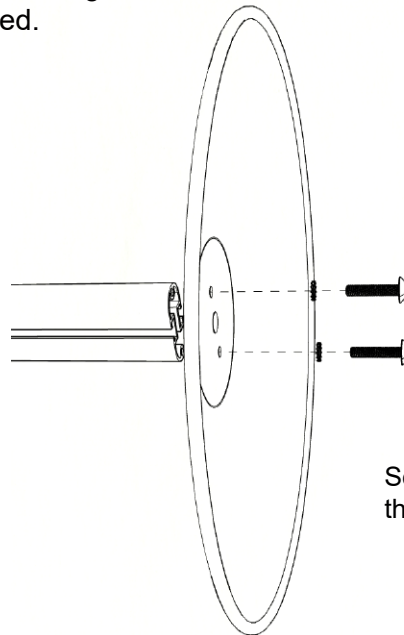
Step 5. Rotate the Snap Frame back to its display position and align the top hole with the top slot on the Acrylic. Screw (1) M4X14mm through the aligned holes from the front and tighten it with (1) Square Nut.



Step 6. Attach the hand sanitizer dispenser to the Bent Acrylic: Align holes visible on the inside of the sanitizer dispenser with corresponding holes on the Bent Acrylic.

Secure the Dispenser by tightening (2) 8-32 x .625 Screws and (2) 8-32 Hex Nuts through aligned holes.

Step 7. Attach the metal Base Plate to the Pole using (2) M6x30mm Screws and (2) M6 Serrated Lock Washers. Tighten the screws and the assembly is finished.



Scan QR code to visit the product page:



If you have any questions regarding our products, please visit us at www.displays2go.com or contact D2G customer service at 844-221-3388.