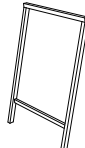






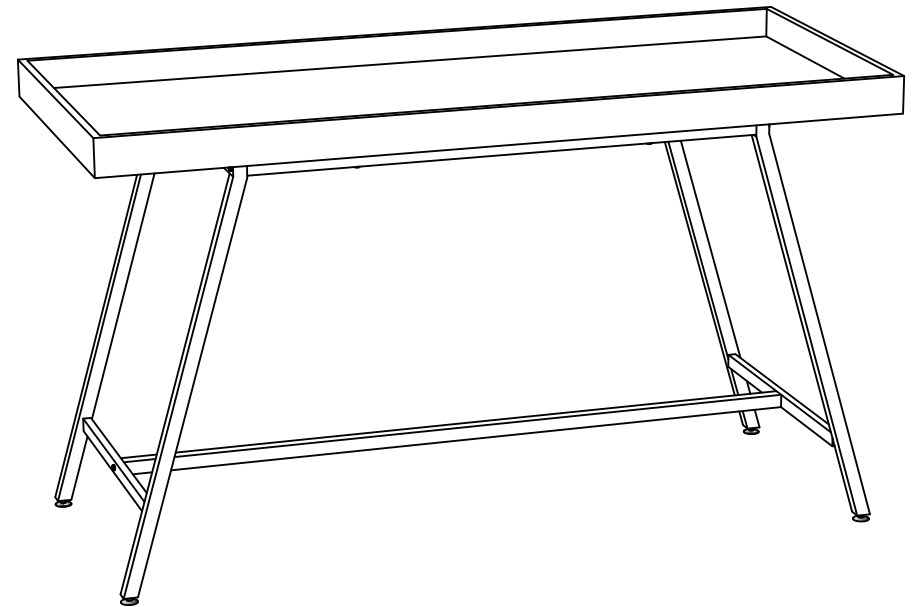


PARTS LIST			
	x2		x2
	x1		x4
	x1		x8
		 M8*40	x6

RWM552933WH  
RWM552933NT

RWM472125WH  
RWM472125NT

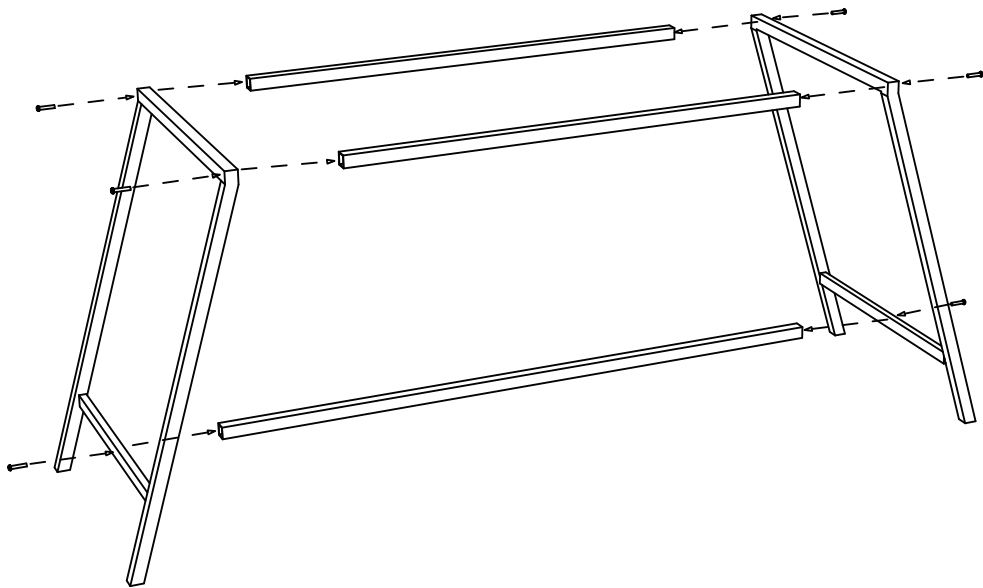
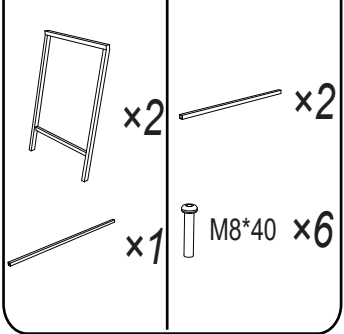
Scan QR code to visit  
the product page:



If you have any questions regarding our products, please visit us at [www.displays2go.com](http://www.displays2go.com) or contact D2G customer service at 844-221-3388.

# STEP 1

## PARTS NEEDED



# STEP 2

## PARTS NEEDED

