

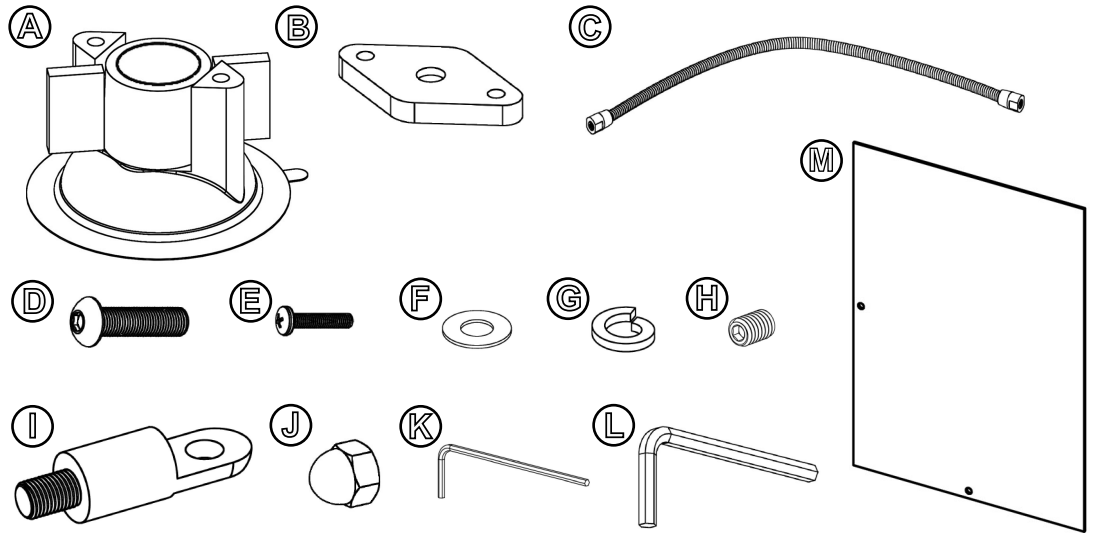
ASSEMBLY INSTRUCTIONS

SMDSFAAB1 - Flexible Gooseneck Safety Shield

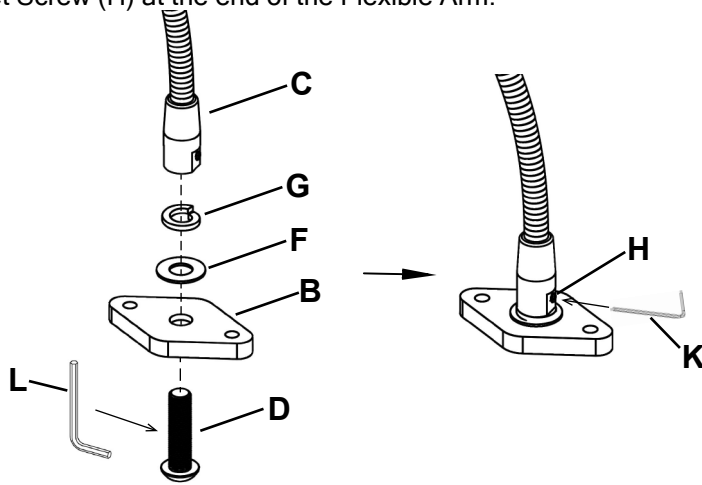
V20.07

Parts List

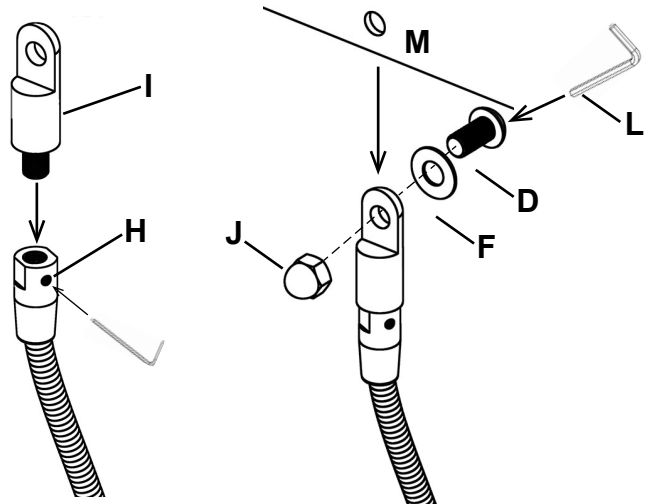
A. Suction Cup	X1
B. AMPS Adapter	X1
C. 18" Gooseneck Arm	X1
D. 3/8"-24 Screw	X2
E. Phillips Screw	X2
F. 3/8" Flat Washer	X2
G. 3/8" Lock Washer	X1
H. 4mm Set Screw	X2
I. Angle Adapter	X1
J. Cap Nut	X1
K. 2mm Hex Wrench	X1
L. 7/32" Hex Wrench	X1
M. Acrylic Panel	X1



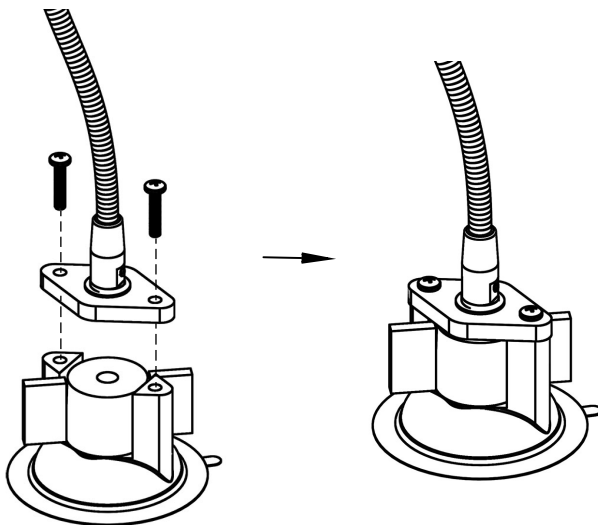
1. Assemble the Gooseneck Arm (C), Lock Washer (G), Flat Washer (F), AMPS Adapter (B) and 3/8" Screw (D) in the order as shown below. Tighten 3/8" Screw using large Hex Wrench (L). Then use the 2mm Hex Wrench (K) to slightly tighten the Set Screw (H) at the end of the Flexible Arm.



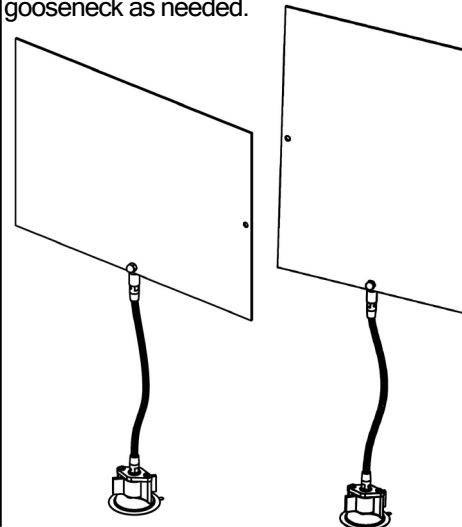
3. Secure the Angle Adapter (I) onto the top of the Gooseneck Arm. Slightly tighten the set screw (H). Attach the Acrylic Panel (M) to the angle adapter, and fix it with Screw (D), Flat Washer (F) and Cap Nut (J) using the 7/32" Hex Wrench (L).



2. Attach the assembled part to the Suction Cup (A). Secure the AMPS adapter with 2 Phillips Screws (E) using a phillips screw driver.



4. Turn the tabs on the suction cup to "OFF". Place the suction cup onto a smooth and clean surface and press down firmly. Then twist the tabs to "ON" to secure the acrylic shield at place. Adjust the gooseneck as needed.



NOTE:
The acrylic panel can be set up in either portrait or landscape orientation.

Scan QR code to visit the product page:



If you have any questions regarding our products, please visit us at www.displays2go.com or contact D2G customer service 844-221-3388.

DISPLAYS2GO