

# ASSEMBLY INSTRUCTIONS

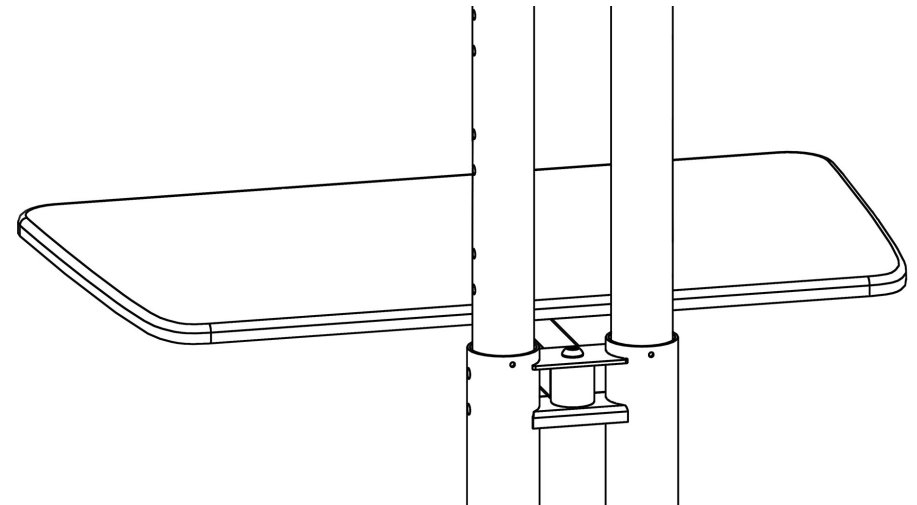
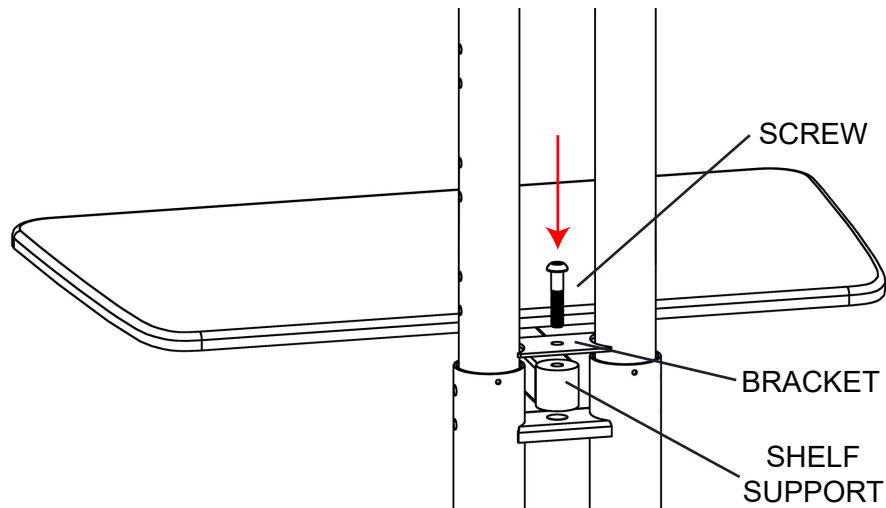
## SHELF - MB TV STANDS

TVSHELFSBK, TVSHELFBBK

Before starting the assembly, unpack the shelf and confirm all hardware are present.  
An allen key (M6) is required for assembly.

1. Choose the desired height where the shelf to be installed.  
Align the holes in the shelf support and the TV stand bracket. Place the included bracket on top of the shelf support as shown below, and tighten the screw from the top.

2. The assembly is finished.



Scan QR code to visit the product page:



NOTE: The shelf panel can only fit the MB series TV stands.

If you have any questions regarding our products, please visit [www.displays2go.com](http://www.displays2go.com) or contact D2G customer service at 844-221-3388.