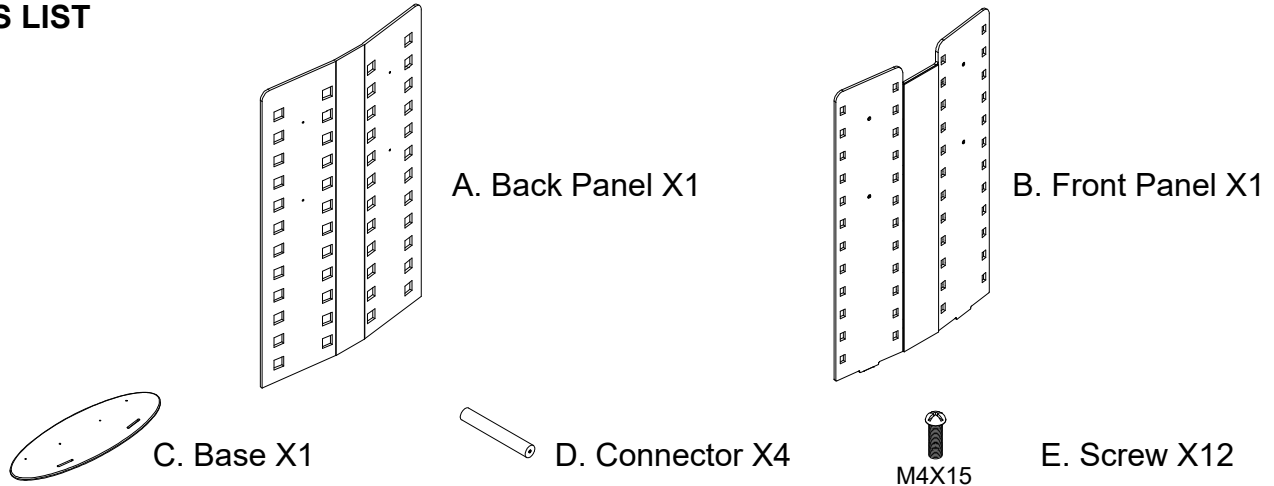
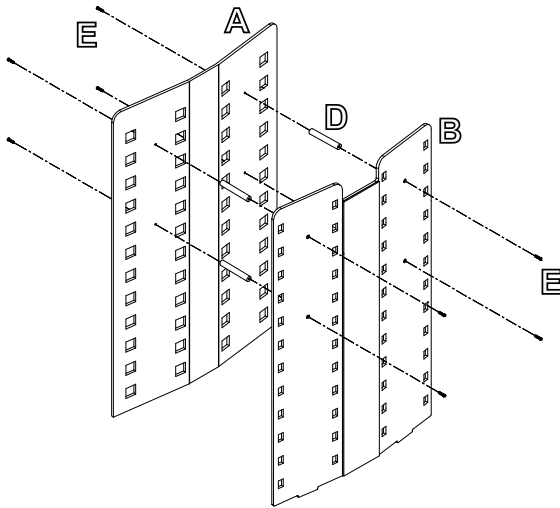


**SMAEWDLG - Acrylic Eyewear Display Rack**

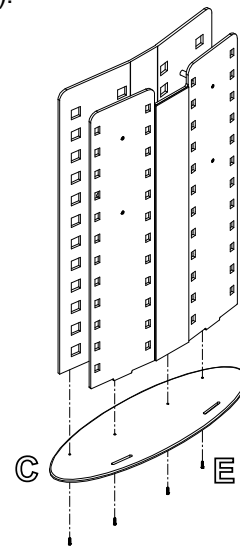
**PARTS LIST**



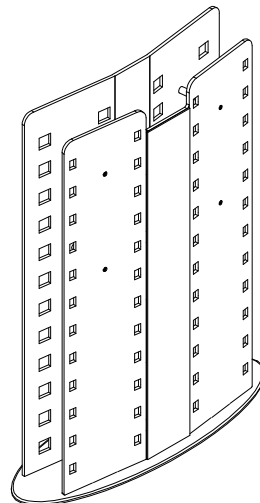
Step 1. Connect the Front Panel (B) and the Back Panel (A) using Connectors (D) as shown. Insert Screws (E) from front and back to fix the display rack.



Step 2. Connect the the assembled display body with Base (C) by inserting the tabs on the front panel into the cutouts on the base. Secure the back panel onto the base by using 4 M4 screws (E).



Step 3. The assembly is finished.



Scan QR code to visit the product page:

