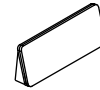
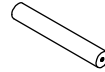
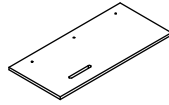
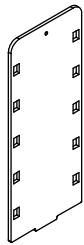
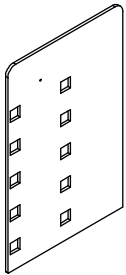


**SMAEWDSM - Acrylic Eyewear Rack**

**PARTS LIST**



A. Back Panel X1

B. Front Panel X1

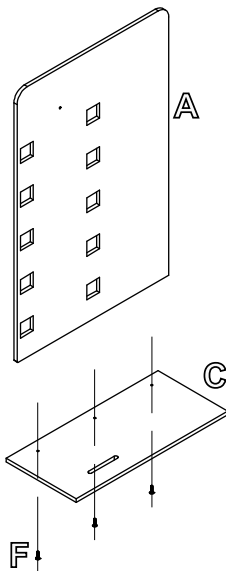
C. Base X1

D. Connector X1

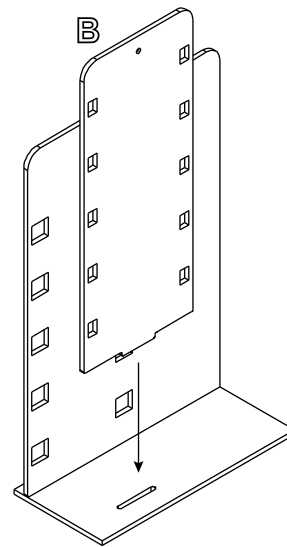
E. Mirror X1

F. Screw X5

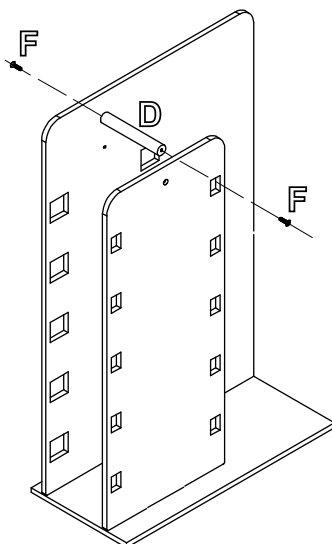
Step 1. Attach the Base (C) to the bottom of the Back Panel (A) as shown below. Insert 3 Screws (F) from the bottom to fix the Back Panel.



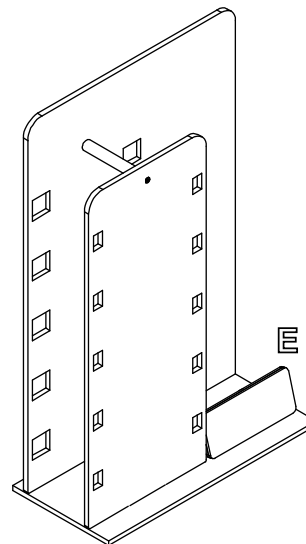
Step 2. Insert the tab on the Front Panel (B) into the cutout on the Base.



Step 3. Place the Connector (D) between panels and align the pre-drilled holes. Use 2 screws to fix the connector from both front and back.



Step 4. Attach the Mirror (E) beside the front panel as shown. The assembly is finished.



Scan QR code to visit the product page:



If you have any questions regarding our products, please visit us at [www.displays2go.com](http://www.displays2go.com) or contact D2G customer service at 844-221-3388.