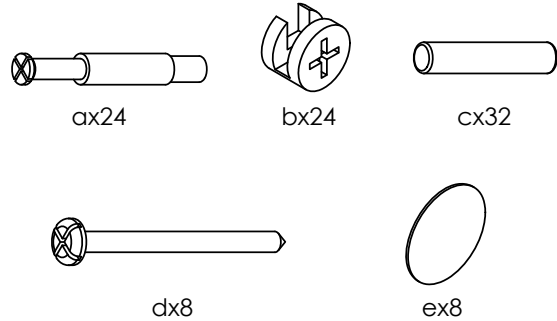
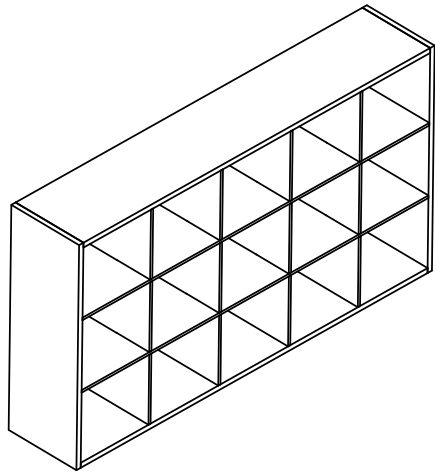


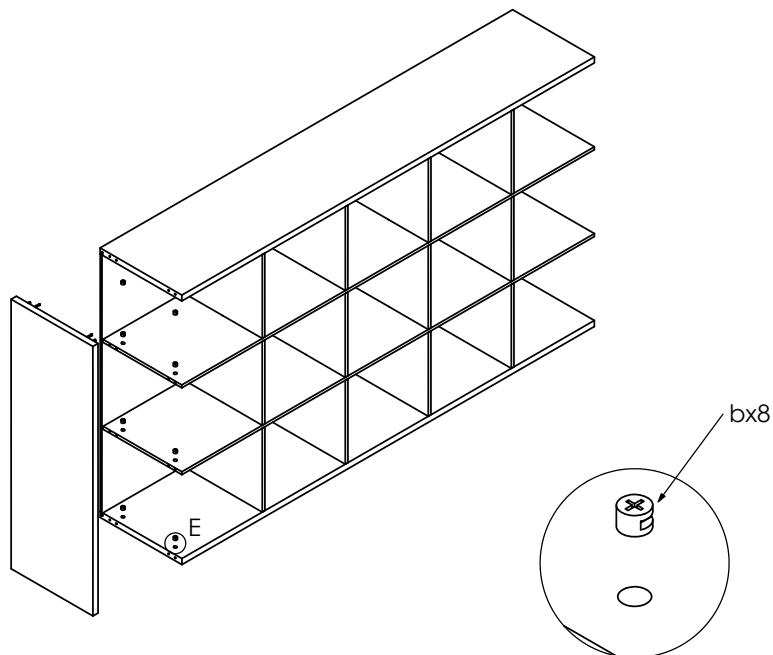
# ASSEMBLY INSTRUCTIONS - WINFLRBR15



**IMPORTANT:**  
 The display unit can be assembled without flipping or rotating during the assembling process.  
 Flipping the unit can greatly increase the chance of hardware failure, which could lead to unreparable damage to wooden boards.

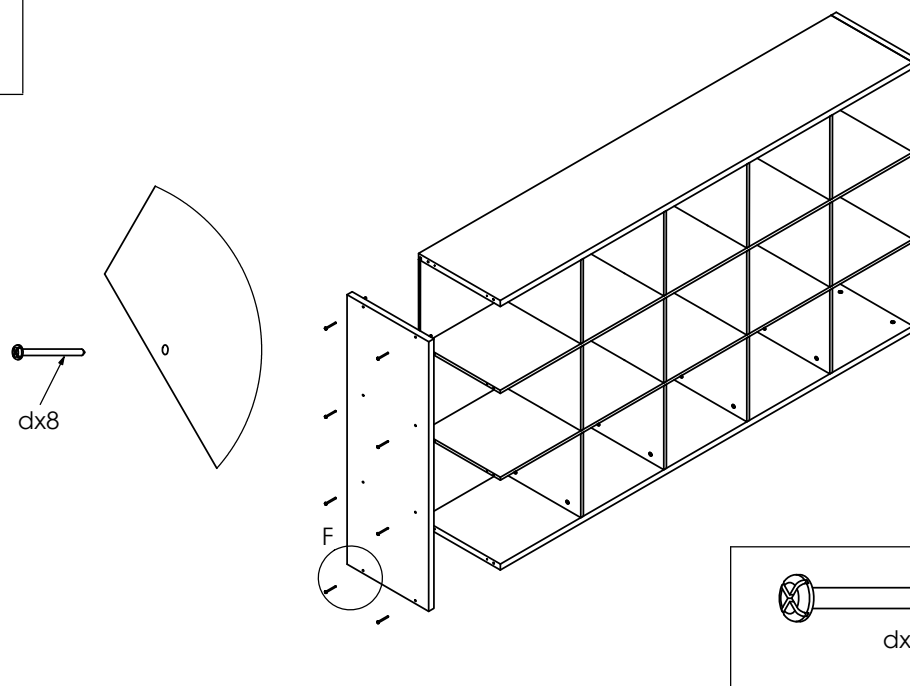
|   |  |  |
|---|--|--|
| <p><b>1</b></p> <p>Top Wood</p> <p>ax8 cx8</p>        | <p><b>4</b></p> <p>Left side wood</p> <p>cx8</p>                   | <p><b>7</b></p> <p>Back Wood</p>           |
| <p><b>2</b></p> <p>Bottom wood</p> <p>ax8 cx8</p>     | <p><b>5</b></p> <p>Vertical Wood</p> <p>bx8</p> <p>Bottom wood</p> | <p><b>8</b></p> <p>Top Wood</p> <p>bx8</p> |
| <p><b>3</b></p> <p>Right Side Wood</p> <p>cx8 ax8</p> | <p><b>6</b></p> <p>Shelf Wood</p>                                  | <p><b>9</b></p> <p>Back Wood</p>           |

10



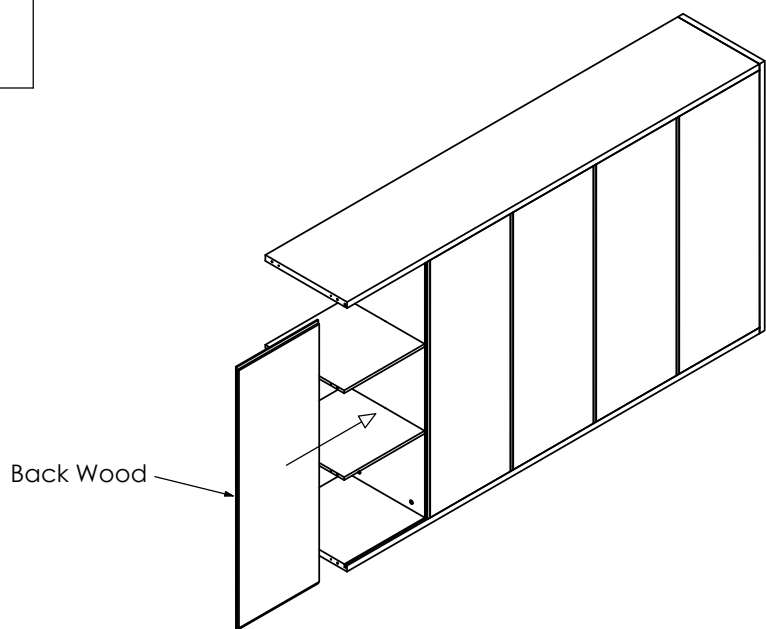
bx8

12



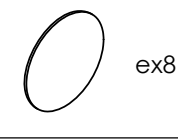
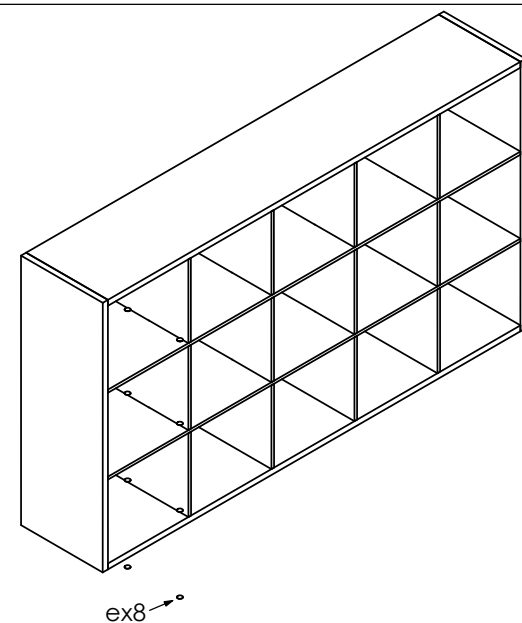
dx8

11



Back Wood

13



ex8

Scan QR code to visit the product page:



If you have any questions regarding our products, please visit us at [www.displays2go.com](http://www.displays2go.com) or contact D2G customer service at 844-221-3388.