

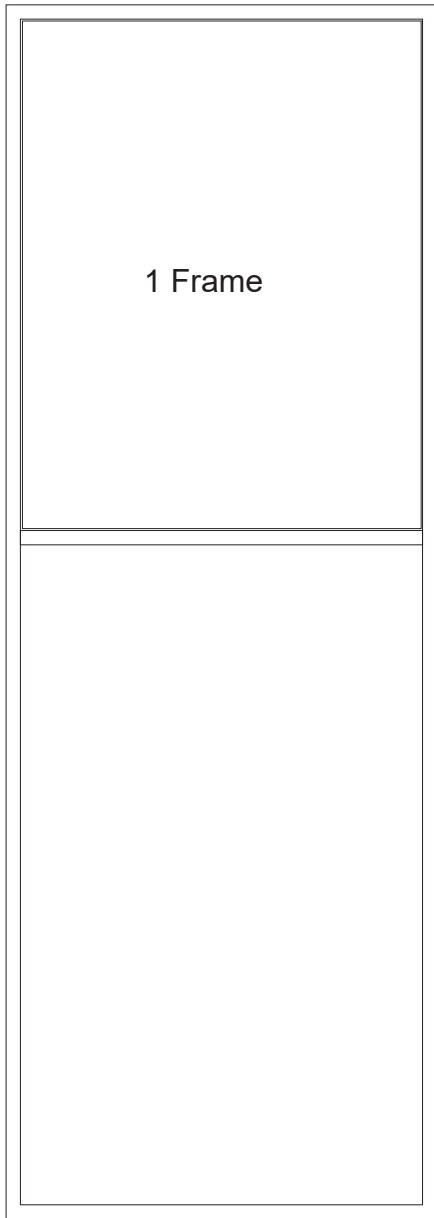
DISPLAYS2GO

www.displays2go.com

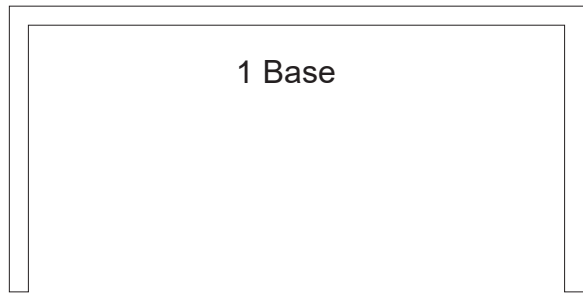
Instruction Manual FSSEG Series



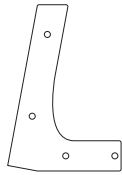
Ver. 10/18



1 Frame



1 Base



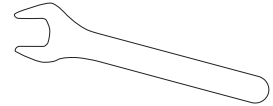
2 Base
Connectors



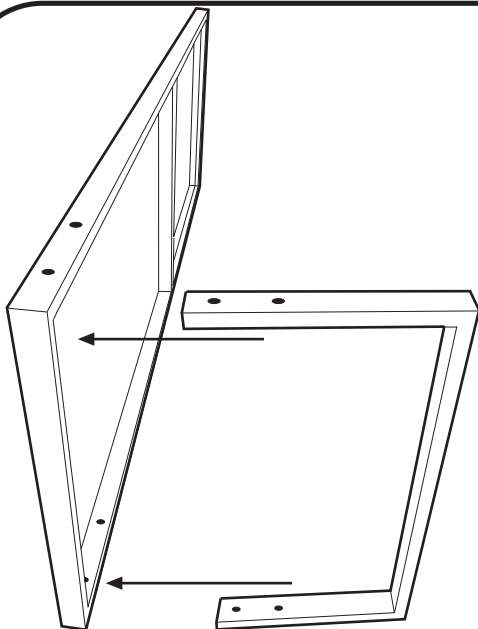
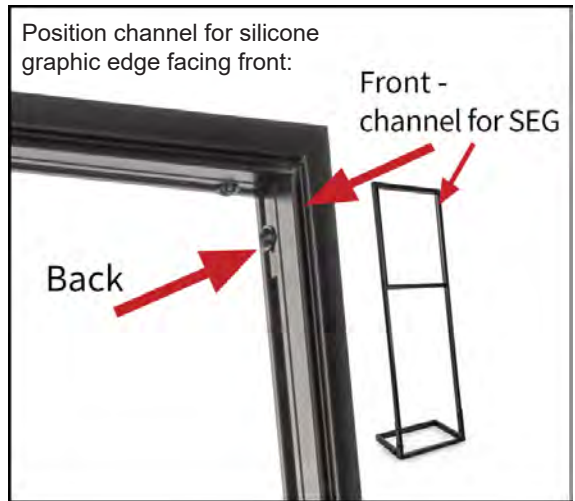
8 Cap Nuts



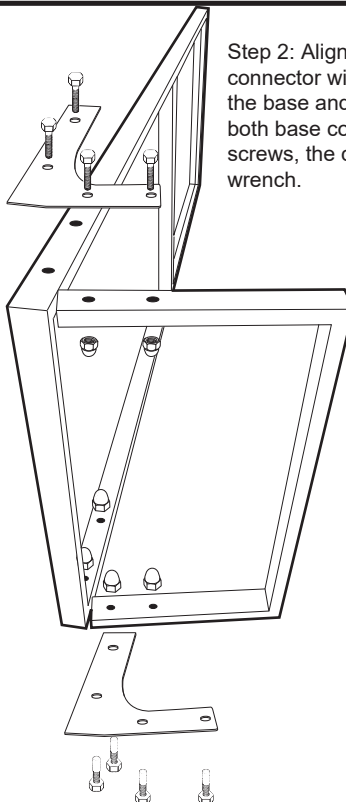
8 screws



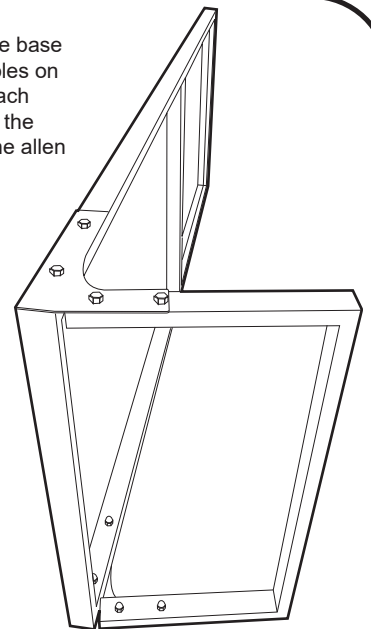
1 Allen Wrench



Step 1: Align the base with the bottom corners of the frame. Make sure the frame is leaning in towards the base.



Step 2: Align the holes of the base connector with the screw holes on the base and the frame. Attach both base connectors using the screws, the cap nuts, and the allen wrench.



Step 3: Tighten the screws using the allen wrench until it is completely fastened

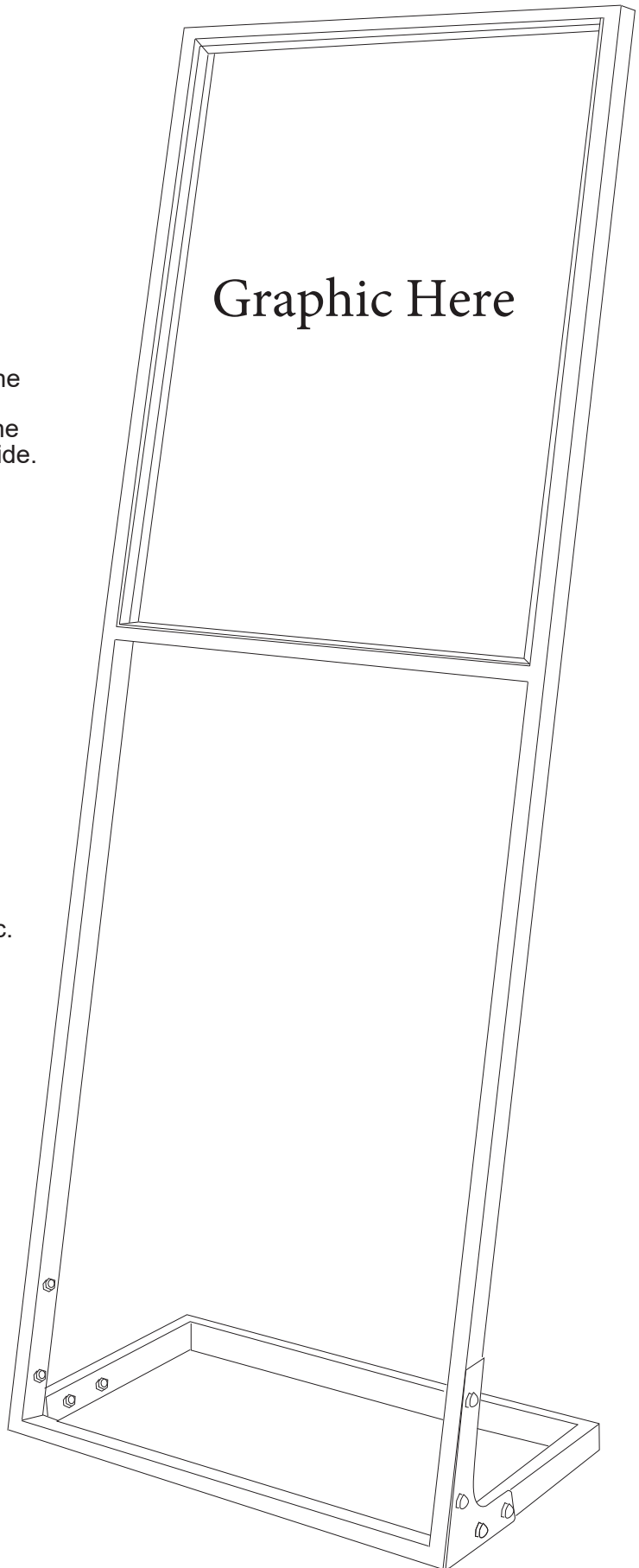


Insert graphic by tucking the silicone edge into the channel on front of frame. The silicone edge fits into the channel with the fabric on the outside.



Use the tab to remove the graphic.

Scan QR code to visit the product page:



If you have any questions regarding our products, please visit us at www.displays2go.com or contact D2G customer service at 844-221-3388.