

ASSEMBLY INSTRUCTIONS

SMOFCGRLED - Garment Rack with LED Light

V20.12

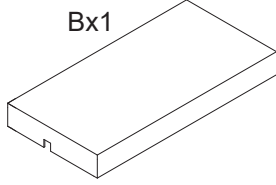
Parts List

- A. Metal Frame
- B. Wooden Base
- C. Screw M8x50
- D. Nut M8
- E. Screw M8x60
- F. 5mm Allen Wrench
- G. 6mm Allen Wrench
- H. Washer
- I. M8 Wrench

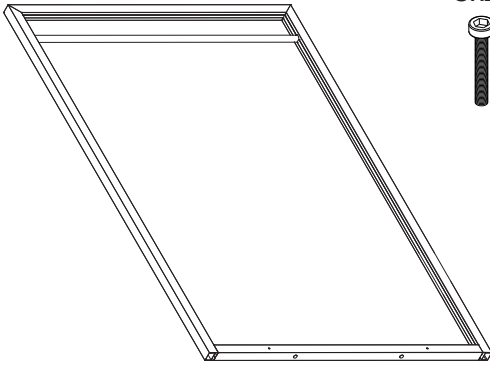


2 people are required

Bx1



Ax1



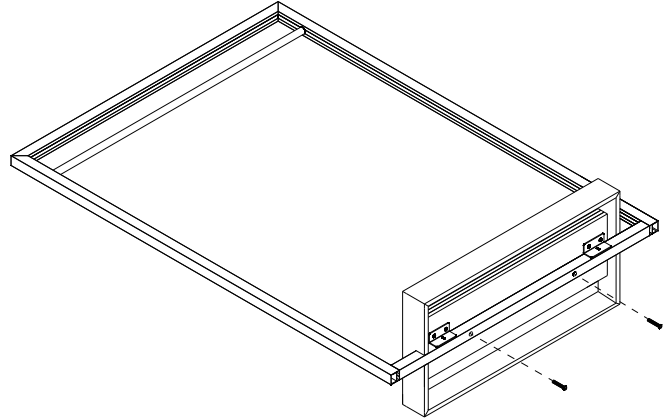
Hx4



Ix1

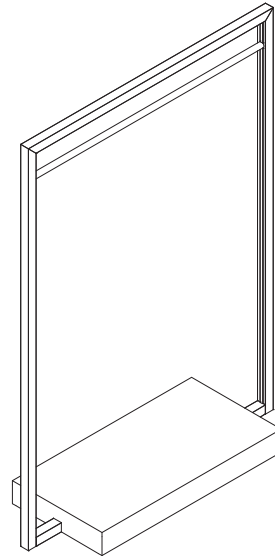
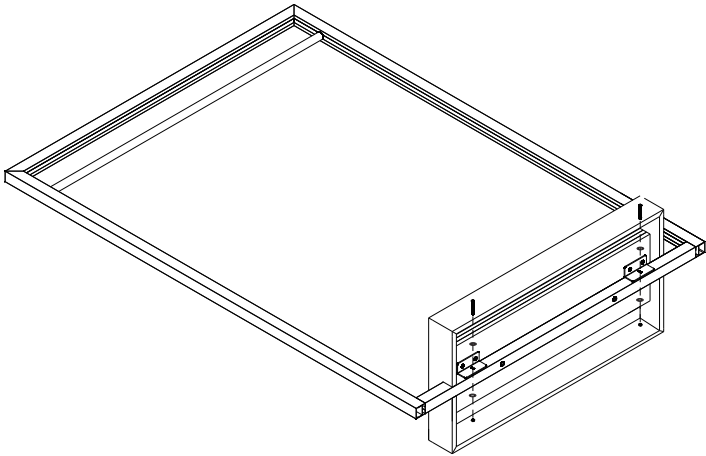


STEP 1. Insert the bottom of the Metal Frame (B) into the cutout on the Wooden Base (A) as shown. Align the holes on the base with the holes on the metal frame, and use M8x50 Screws (E) and Allen Wrench (F) to fix the base.



STEP 2. Use M8x50 Screws (C), M8 Nuts (D) and Washers (H) to secure the base with the metal frame as shown. Tighten the screws and nuts with Allen Wrench (G) and M8 Wrench (I). Connect the power adapter with the power cable on the metal frame.

STEP 3. Carefully lift the assembled metal rack up to its standing position. Connect the power adapter to the outlet and the assembly is finished.



If you have any questions regarding our products, please visit us at www.displays2go.com or contact D2G customer service 844-221-3388.