

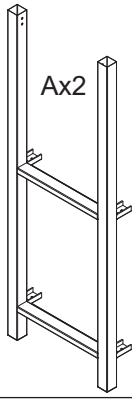
ASSEMBLY INSTRUCTIONS

SMOFCPT - Display Pedestal Table

V20.12

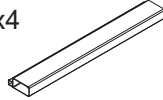
Parts List

- A. Side Frame
- B. Connector
- C. Top Frame
- D. Glass Panel
- E. Hex Screw
- F. Allen Wrench
- G. Rubber Bumper

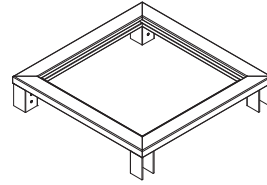


Ax2

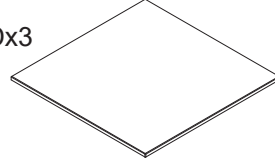
Bx4



Cx1



Dx3



Ex24



Fx1

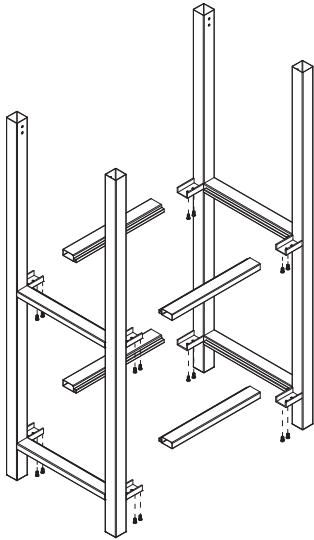


Gx12

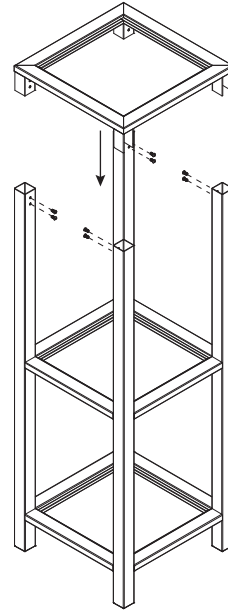


2 people are required

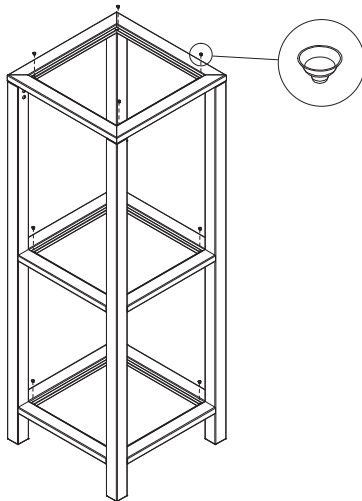
STEP 1. Connect 2 Side Frames (A) with 4 Connectors (B) by using the Screws (E) and Allen Wrench (F) provided.



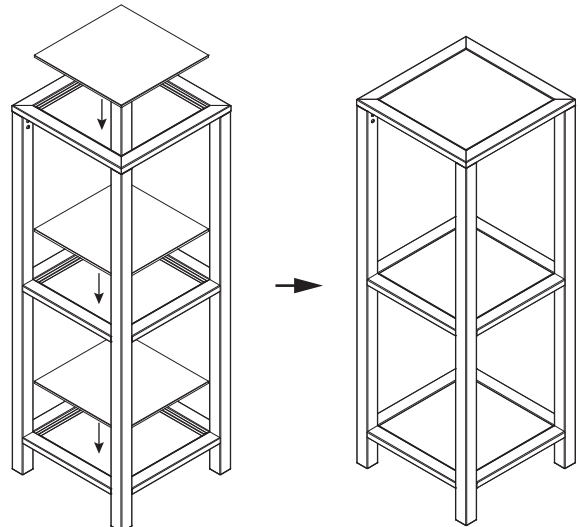
STEP 2. Slide the Top Frame (C) into the assembled pedestal, and using Screws (E) and Allen Wrench (F) to secure it.



STEP 3. Insert 1 Rubber Bumper (G) into the corresponding hole at each corner on top frame. Install the remaining glass bumpers to the middle and bottom levels the same way.



STEP 4. Carefully place 1 tempered Glass Panel (D) onto the top frame. Place the other 2 glass panels onto the middle frame and bottom frame, respectively. The assembly is finished.



If you have any questions regarding our products, please visit us at www.displays2go.com or contact D2G customer service 844-221-3388.