

# ASSEMBLY INSTRUCTIONS

SNMUHSSS2 - Hand Sanitizer Station - Single Sided  
 SNMUHSDS4 - Hand Sanitizer Station - Double Sided

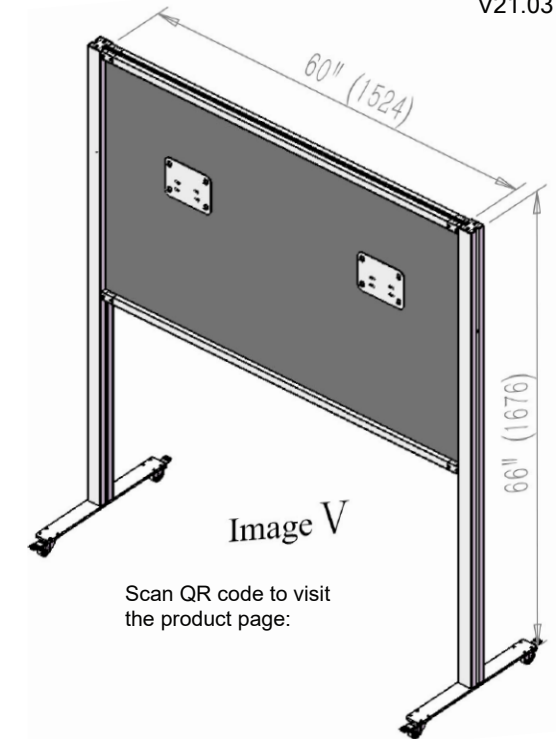
NOTE: See Page 2 (SNMUSEF instructions) if you purchased extension frame.



2 people are required

Parts List	QTY
A Side Pole	2
B Horizontal Bar	4
C Support Rail	1
D Foot	2
E M5x12 screw	18
F M6x25 screw	5
G M4x8 screw	18
H Mounting Bracket	2
(Qty. 4 for SNMUHSDS4)	

Tools	QTY
2.5mm Allen Wrench	1
3mm Allen Wrench	1
5mm Allen Wrench	1



Scan QR code to visit the product page:

Remove all parts from the package and lay them out on a level ground.

STEP 1. Connect 2 Side Poles (A) with all 4 Horizontal Bars (B) as shown. Insert the Support Rail (C) into the cutouts inside each slot on the side pole. Make sure the pre-drilled holes on all horizontal bars are facing outside and fix the frame by using M5X12 Screws (E) with 3mm Allen Wrench, see Detail I.

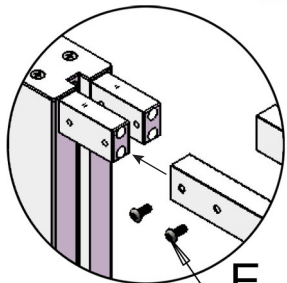
Fix the Support Rail the same way, see Detail II.

STEP 2. Attach 1 Foot (D) at the bottom of each pole using M6X25 Screws (F) with 5mm Allen key.

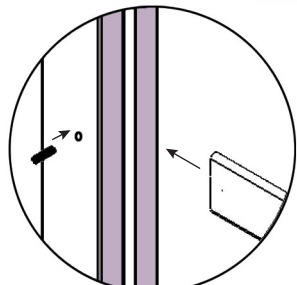
STEP 3. Carefully lift the assembled frame up to its standing position. Insert your printed panels from the top. For double sided station, assemble 1 panel on each side separately.

STEP 4. Attach 2 mounting brackets to the panel and align the hole pattern on the bracket with the support bar. Use M4X8 Screws (G) to secure the plates on the panel. For double sided station, attach the remaining brackets to the other side.

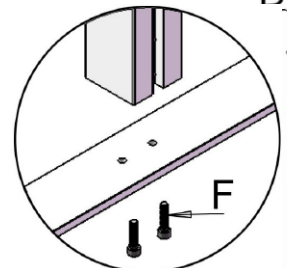
STEP 5. Follow the instructions of the hand sanitizer dispenser to attach your units.



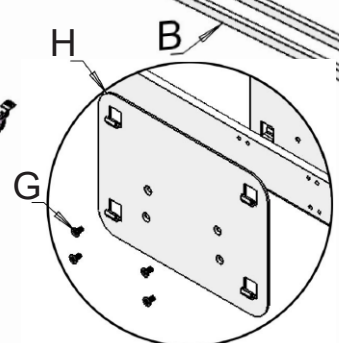
Detail I



Detail II



Detail III

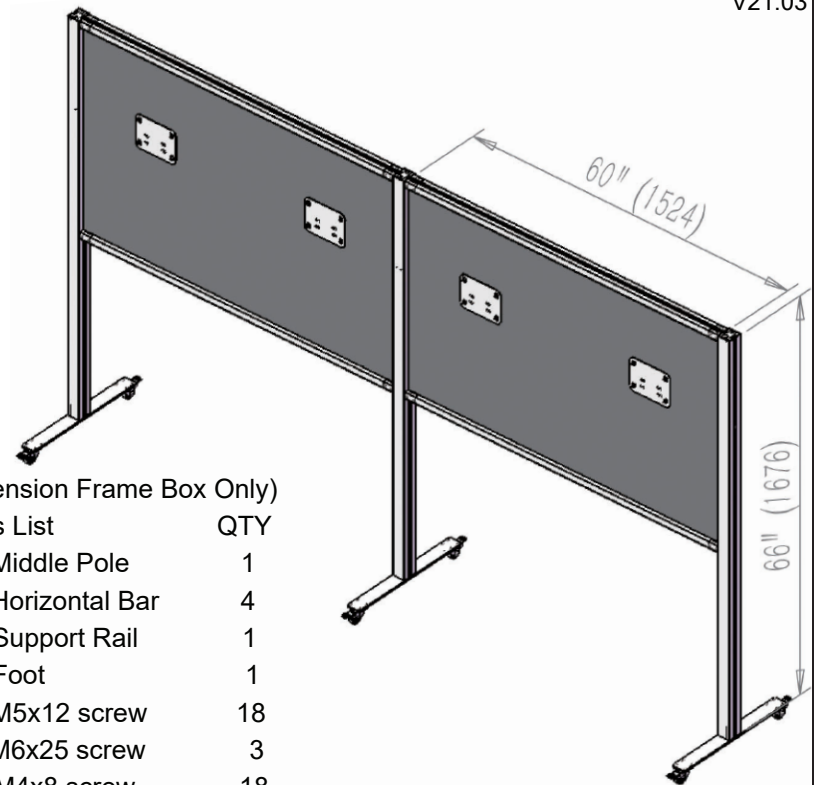
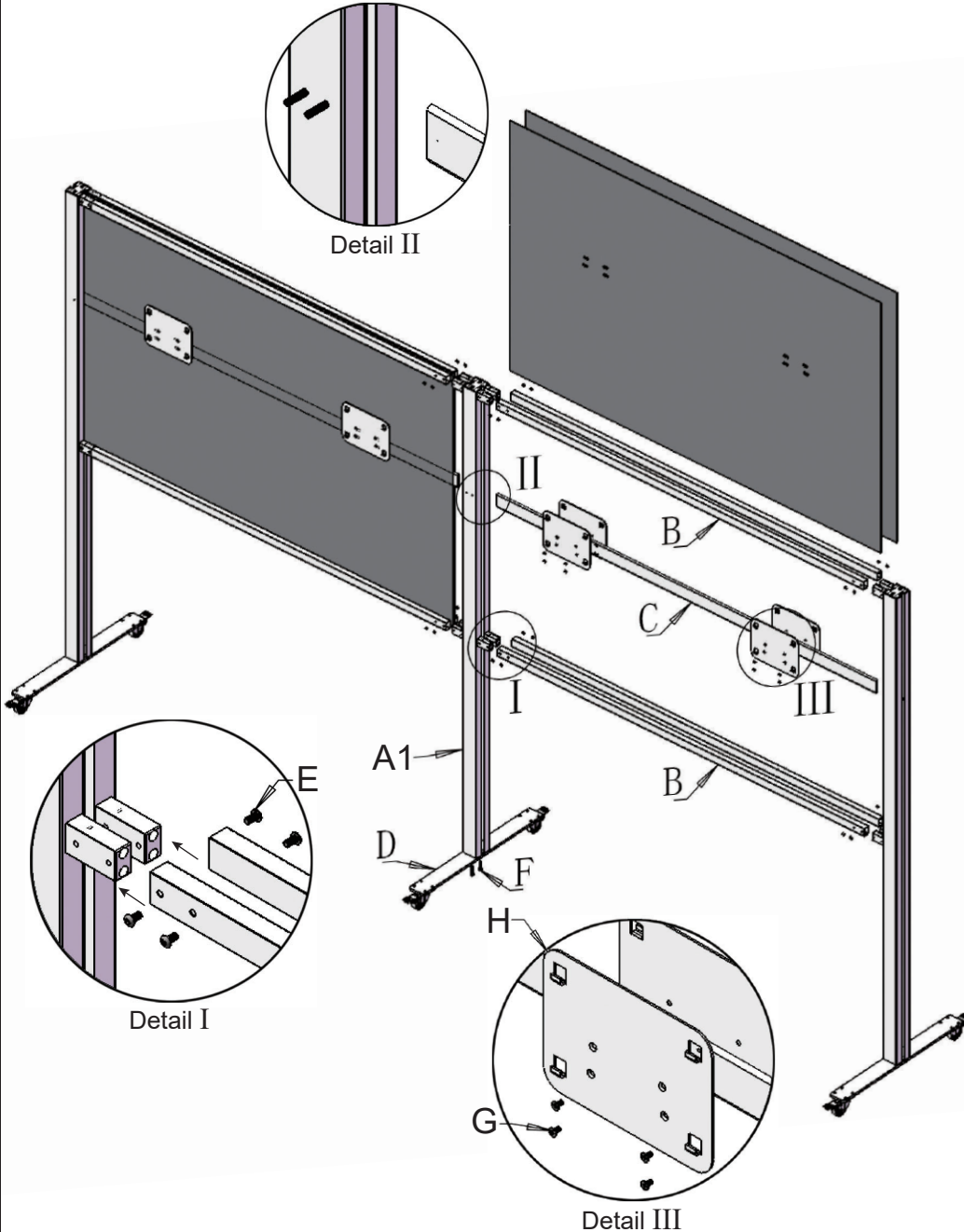


Detail IV

# ASSEMBLY INSTRUCTIONS

SNMUSEFSS2 - Sanitizer Station Extension Frame - Single Sided  
 SNMUSEFDS4 - Sanitizer Station Extension Frame - Double Sided

V21.03



(Extension Frame Box Only)

Parts List	QTY
A1 Middle Pole	1
B Horizontal Bar	4
C Support Rail	1
D Foot	1
E M5x12 screw	18
F M6x25 screw	3
G M4x8 screw	18
H Mounting Bracket	2
(Qty. 4 for SNMUSEFDS4)	

### Tools

2.5mm Allen Wrench	1
3mm Allen Wrench	1
5mm Allen Wrench	1

**STEP 1.** Connect 2 Side Poles (A) and 1 Middle Pole (A1) with all 8 Horizontal Bars (B) as shown. Insert 2 Support Rail (C) into the cutouts inside each upright pole. Make sure the pre-drilled holes on all horizontal bars are facing outside and fix the frame by using M5X12 Screws (E) with 3mm Allen Wrench, see Detail I. Fix the Support Rail the same way, see Detail II.

**STEP 2.** Attach 1 Foot (D) at the bottom of each pole using M6X25 Screws (F) with 5mm Allen key.

Follow Step 3-5 in Page 1 (SNMUHS instructions) to finish the assembly.

If you have any questions regarding our products, please visit us at [www.displays2go.com](http://www.displays2go.com) or contact D2g customer service 844-221-3388.