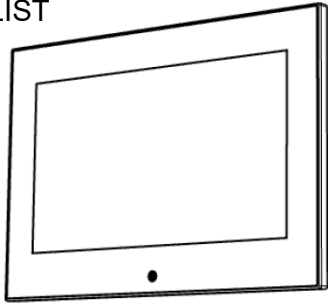


ASSEMBLY INSTRUCTIONS

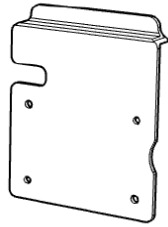
SMSBAB - 10.1" SCREEN WITH BRACKET

Ver. 12/19

PARTS LIST



Mounting Bracket x1



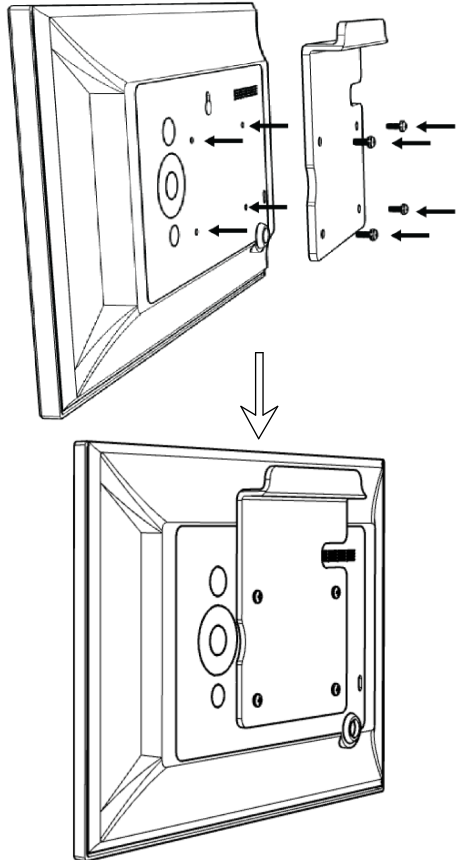
10.1" Screen X1



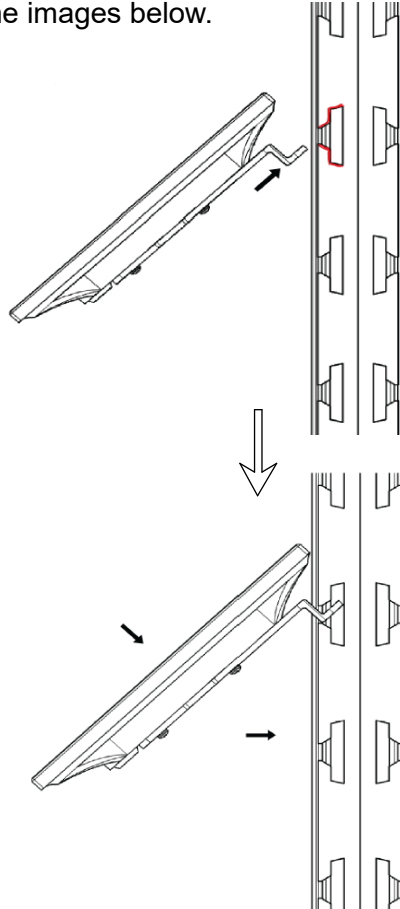
Screws X4

Note: Kit bag comes with power adapter and USB flash drive.

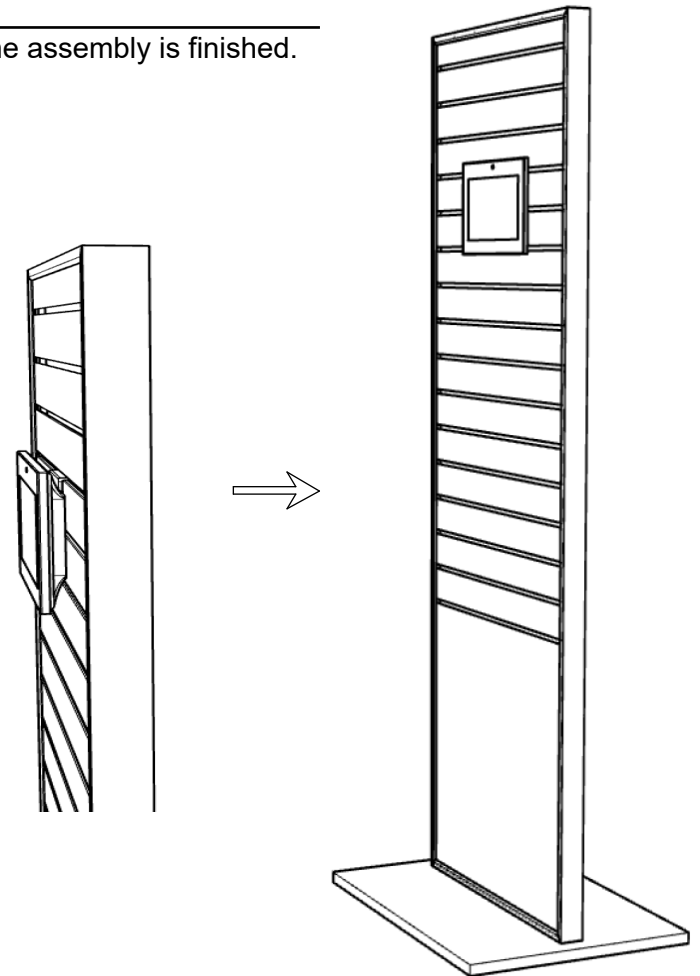
1. Take 4 screws from bag and attach bracket to the screen, shown in images below.



2. Insert screen into slatwall as shown in the images below.



3. The assembly is finished.



If you have any questions regarding our products, please visit us at www.displays2go.com or contact D2G customer service at 844-221-3393.

DISPLAYS2GO