

ASSEMBLY INSTRUCTIONS

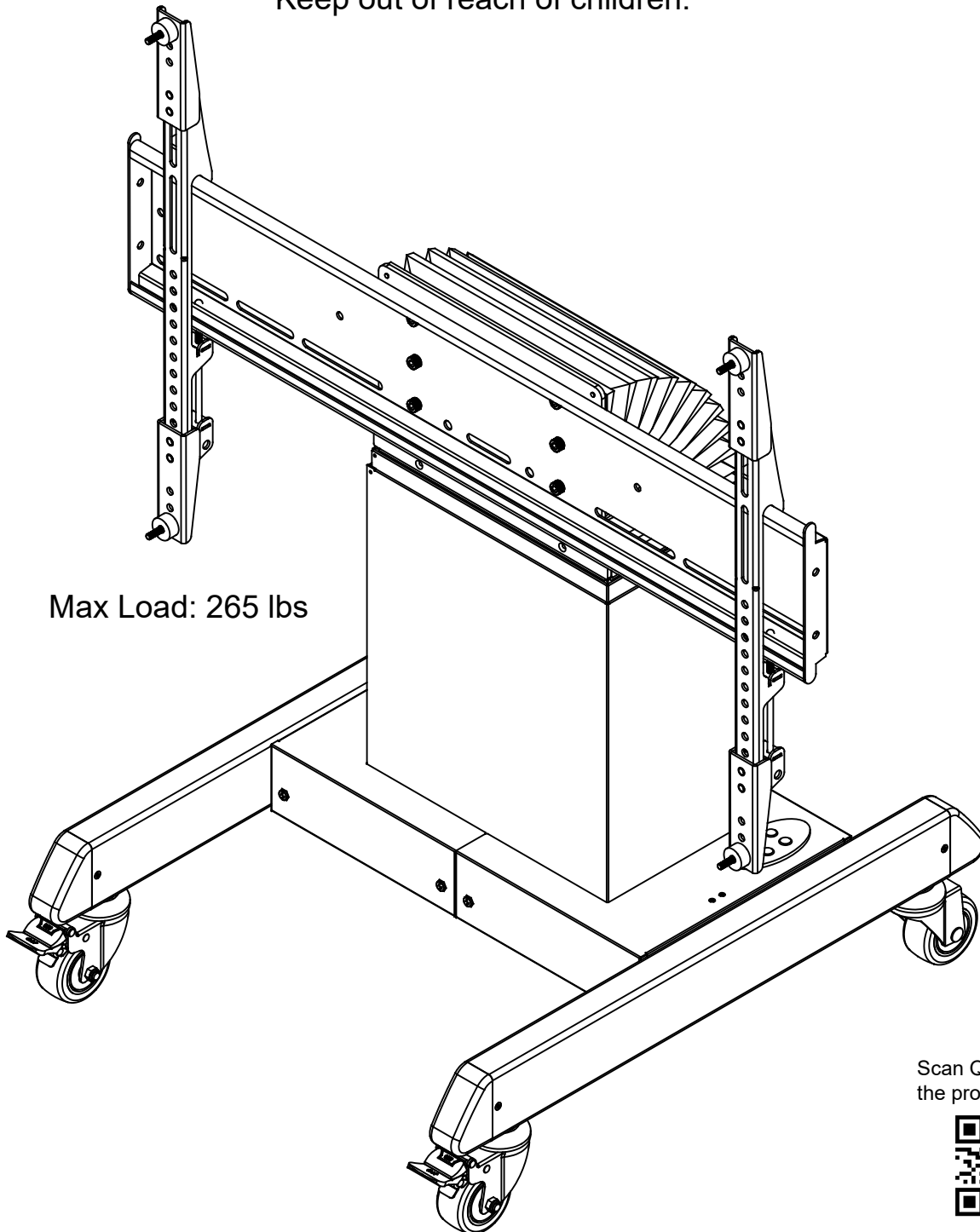
DGMLTSBK - Motorized Tilt Digital Signage Stand

V21.03



WARNING:

Unplug the power cord while not using.
Keep hands and fingers clear of the moving parts.
Keep out of reach of children.

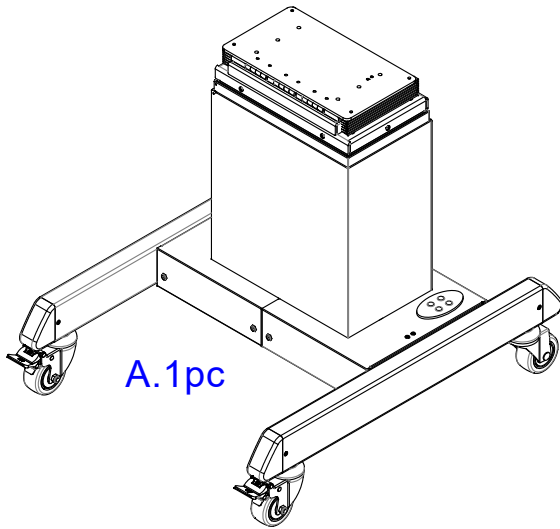


Max Load: 265 lbs

Scan QR code to visit
the product page:



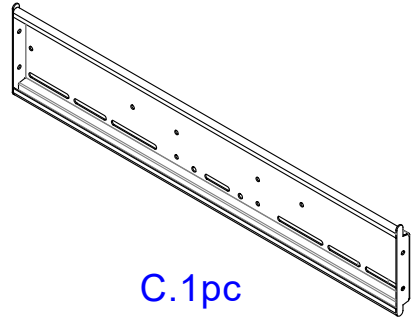
Part List:



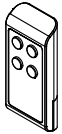
A.1pc



B.2pcs

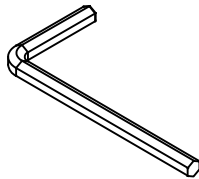


C.1pc



D. Remote Control 1pc
(1 battery included)

Replacement battery: 1X A23



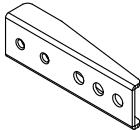
E.M6 wrench
1pc



F.M8x10 8pcs



G.M8 8pcs



H.4pcs



I.4pcs



J.M8x16 6pcs



K.M8 6pcs

L. Screw



M4x16 8pcs



M4x25 8pcs



M5x16 8pcs



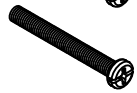
M5x25 8pcs



M6x20 6pcs



M6x40 6pcs



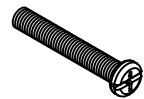
M6x55 6pcs



M8x20 6pcs



M8x40 6pcs



M8x55 6pcs

M.Washers



M5x8pcs



1/4"x6pcs



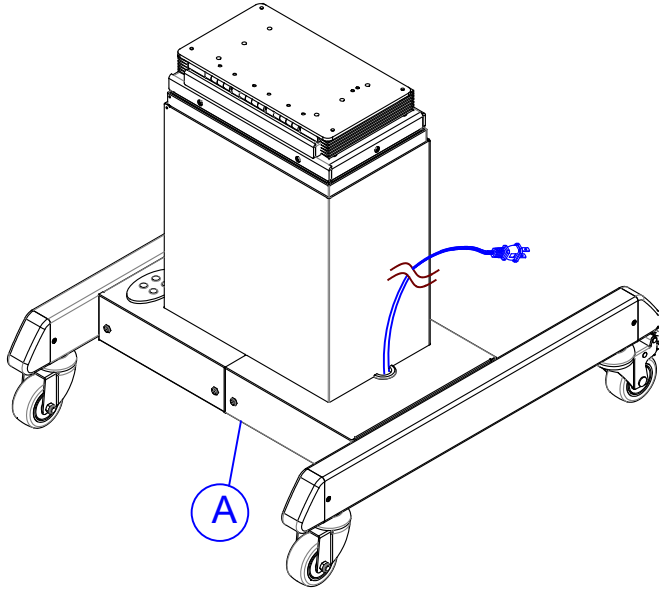
M8x6pcs

N.Spacers

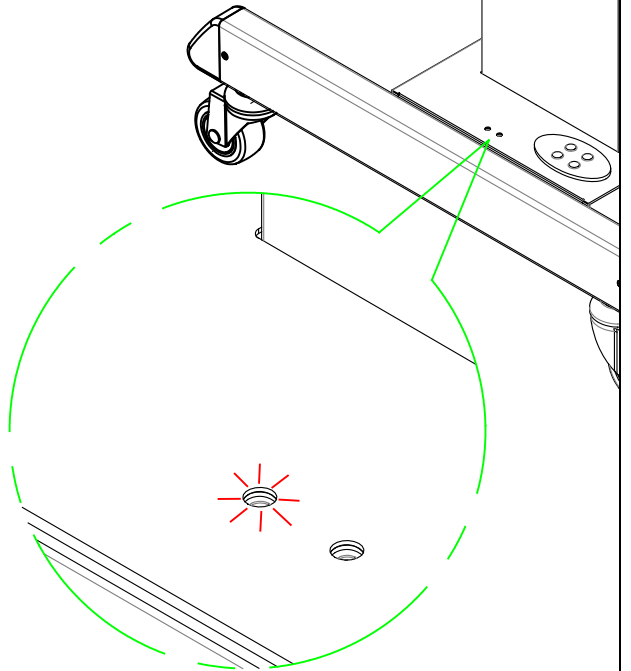


12pcs

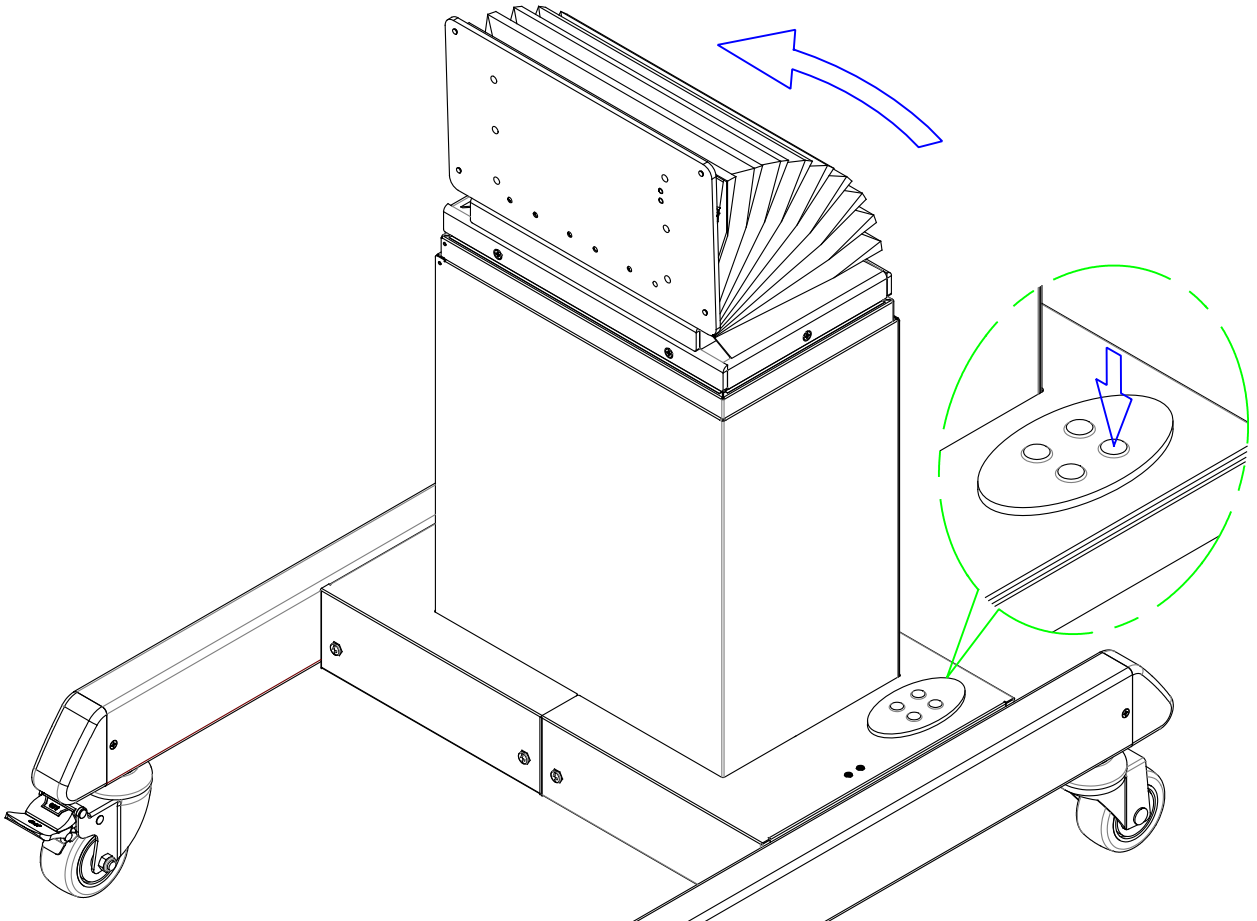
1. Plug the power cord into the power outlet.



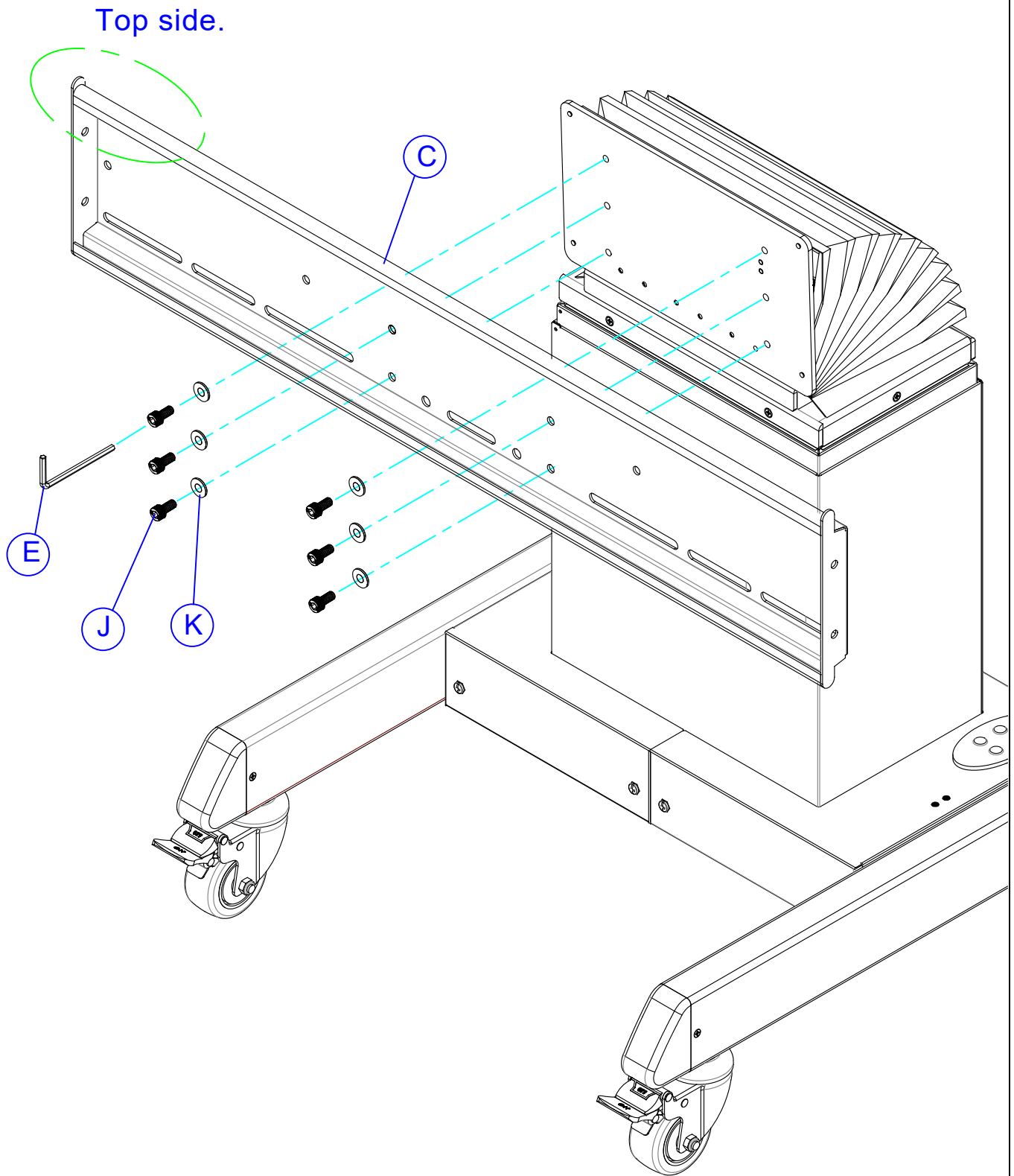
2. A steady red light indicates the unit is powered on.

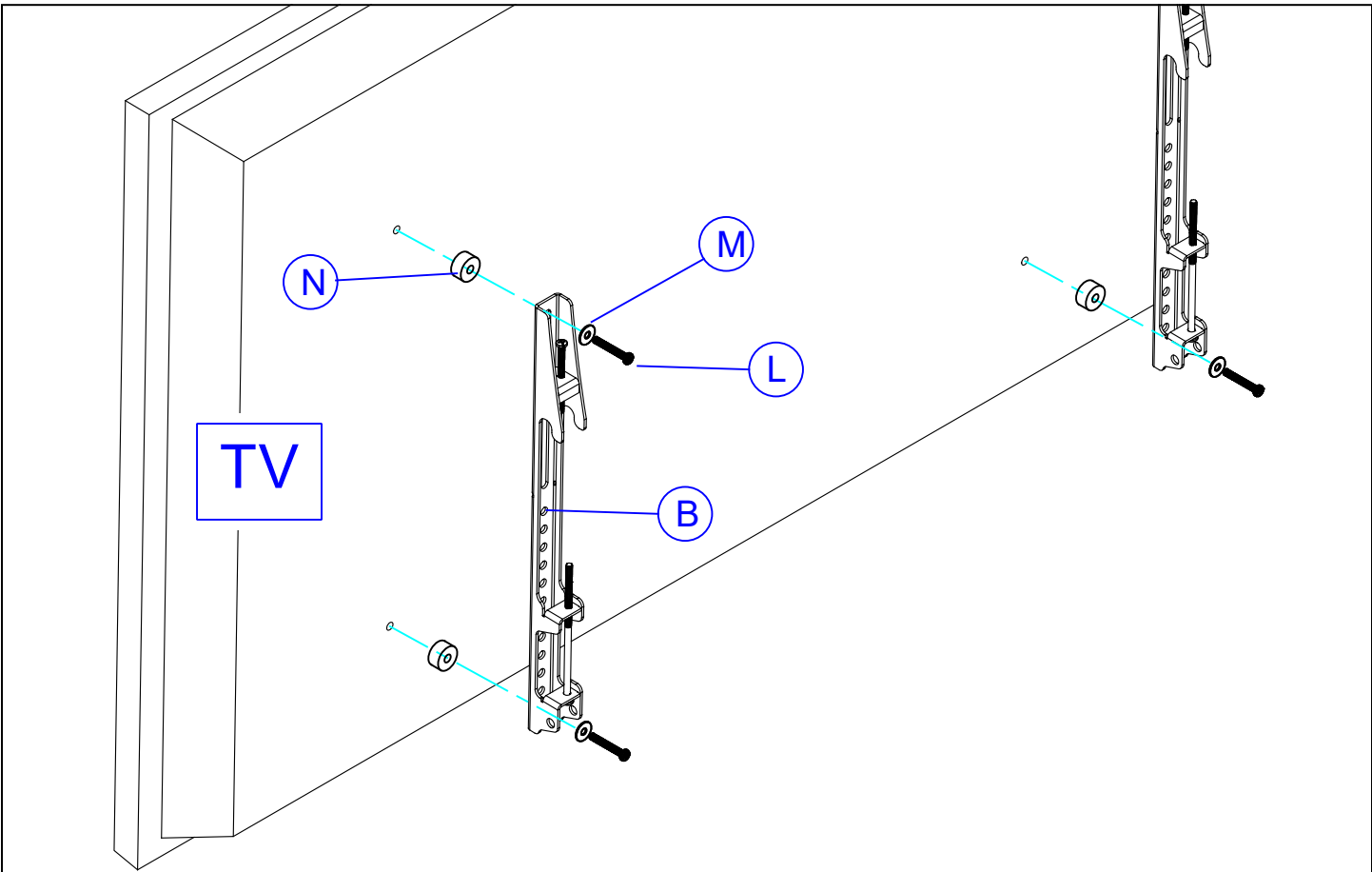


3. Push the buttons on the base to adjust the angle and height.

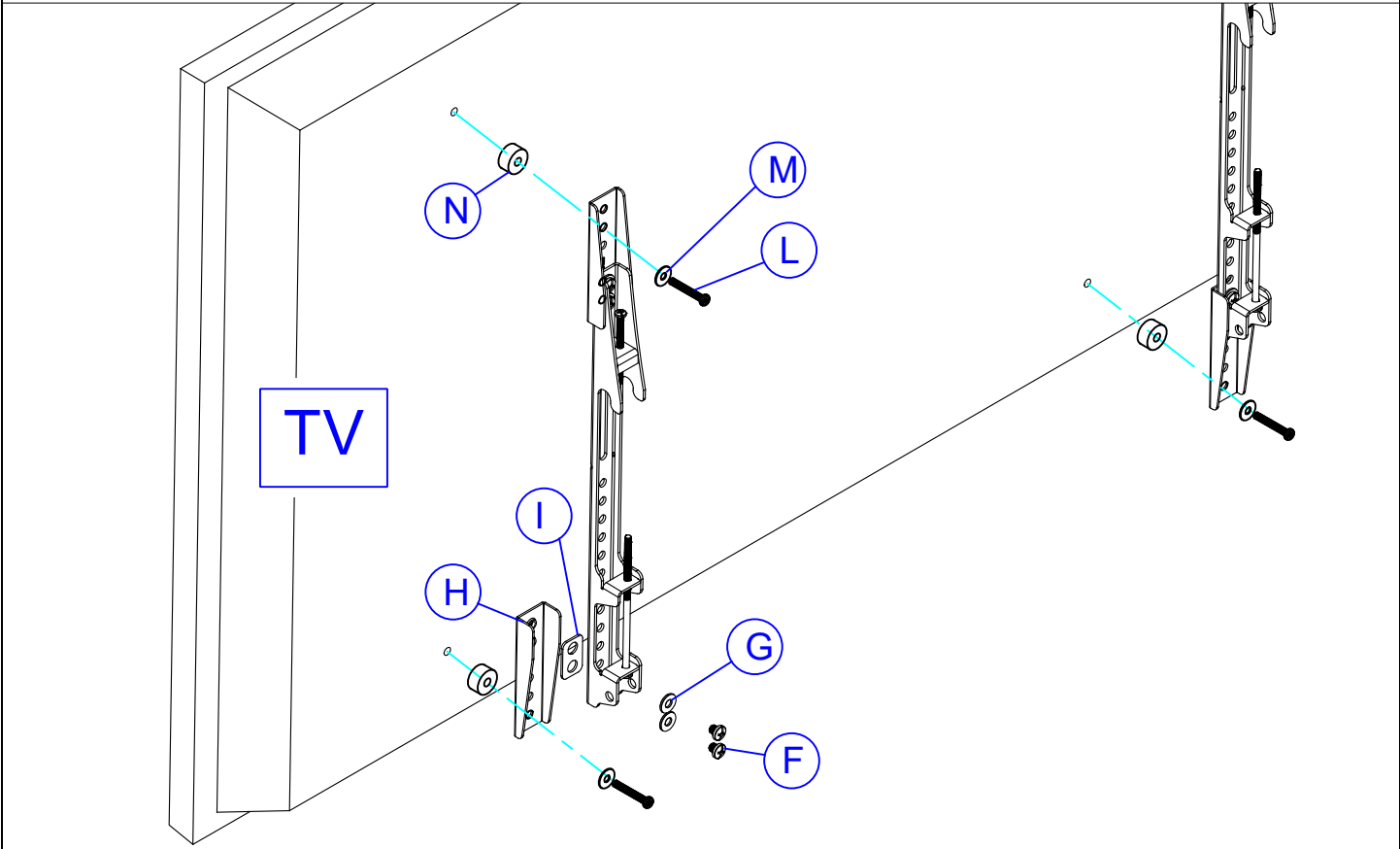


4. Attach the mounting bracket to the top of the stand and secure it with hardware as shown.



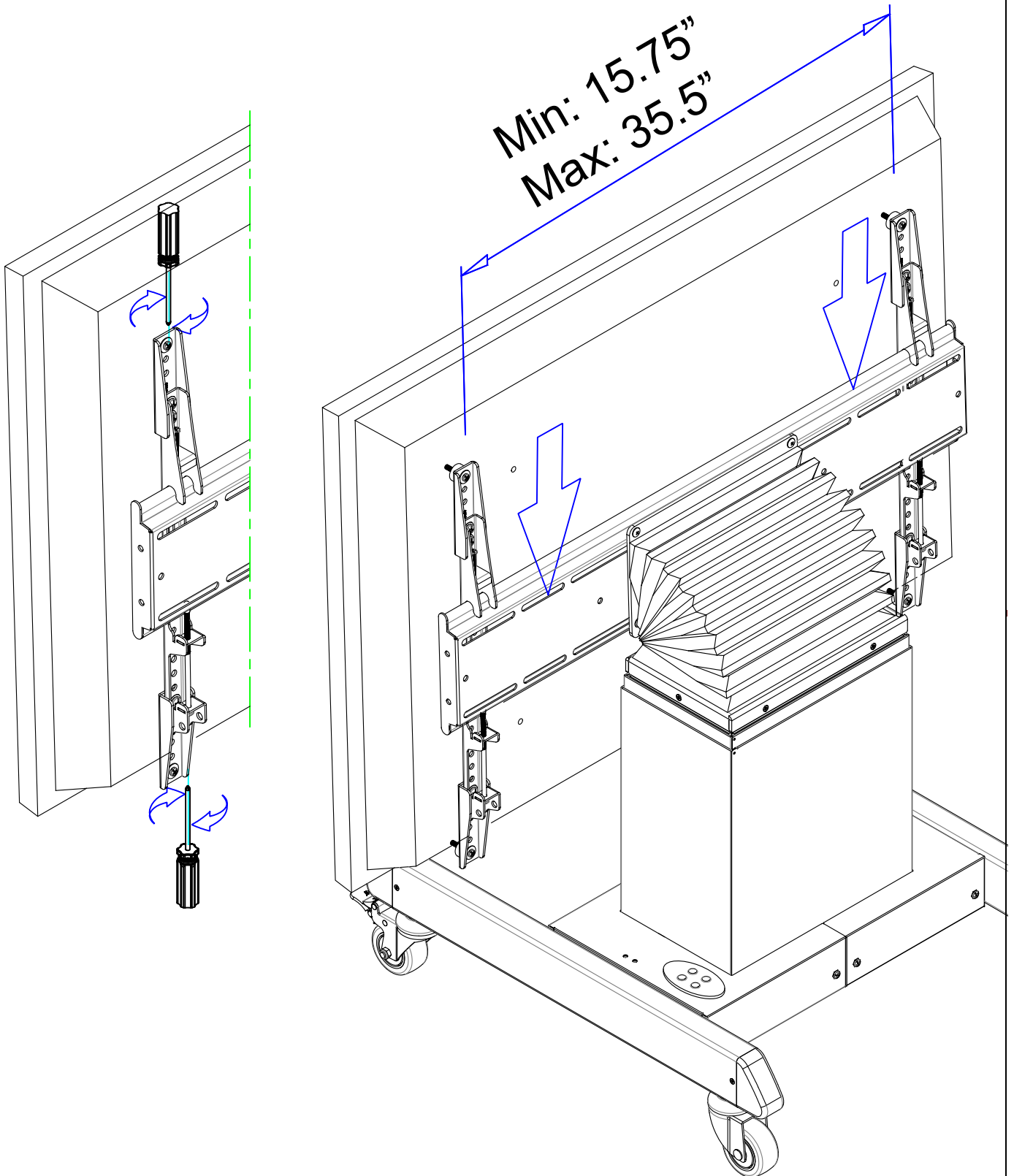


5.a Attach the mounting brackets to the back of your display signage. Use spacer as needed.

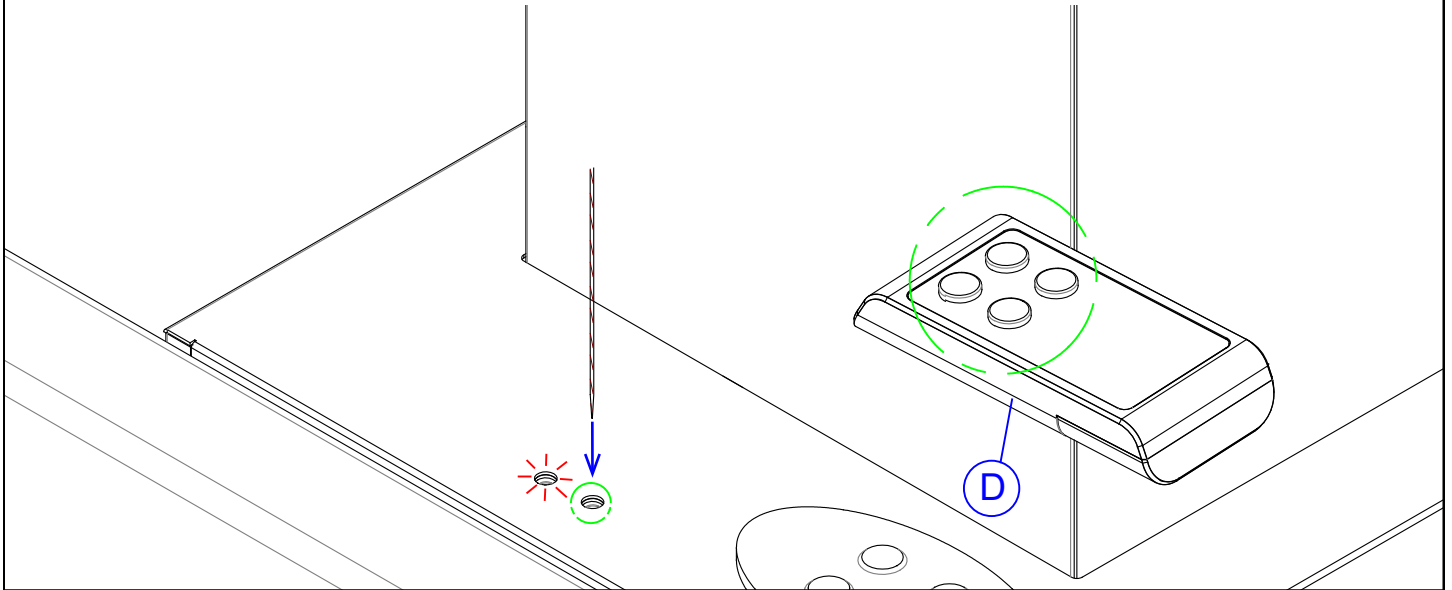


5.b For oversized digital signage, use extension brackets as shown.

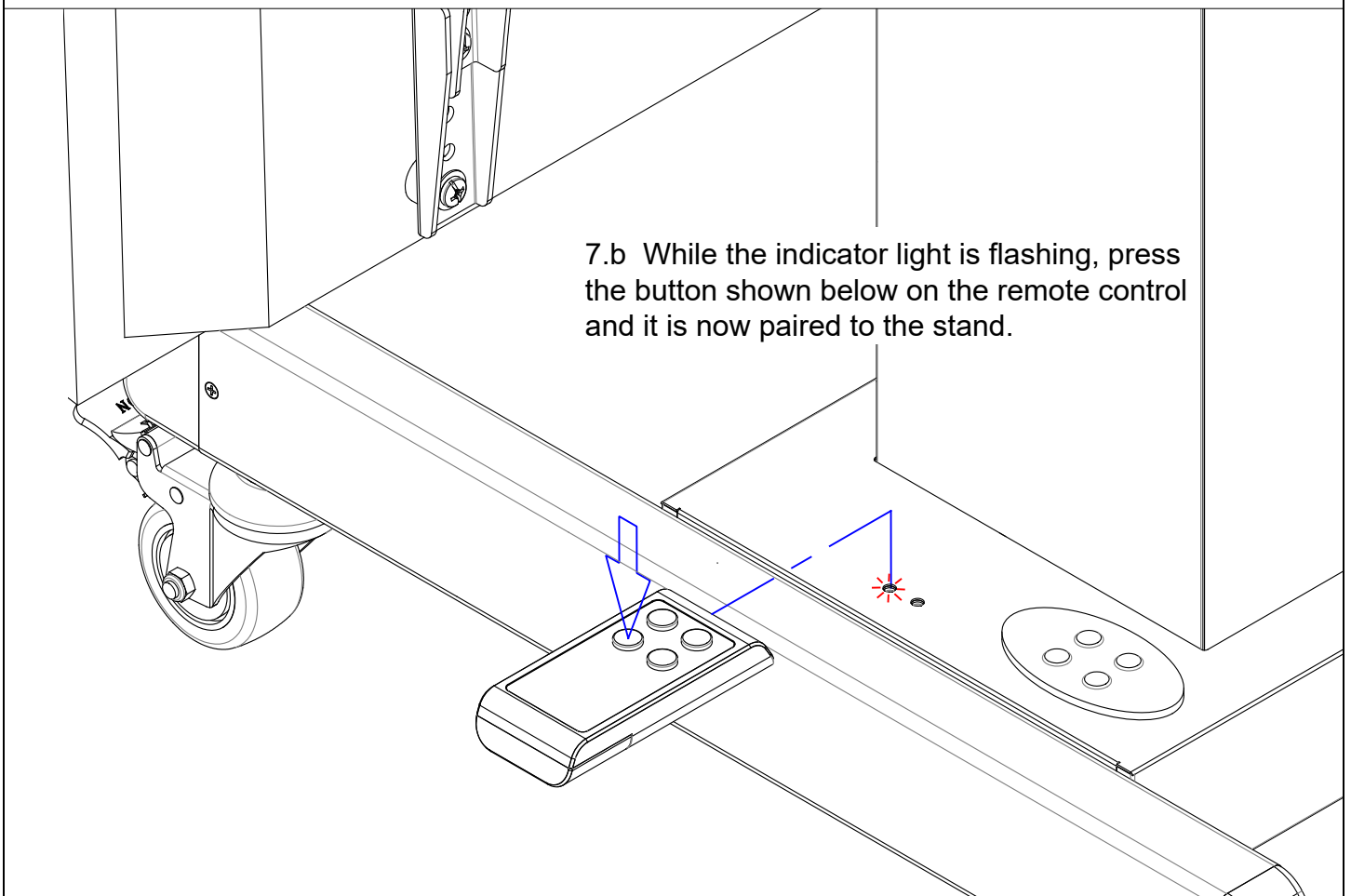
6. Carefully hang your digital signage onto the bracket on top of the stand. Secure the signage by fastening the screws with a phillips screw driver as shown.



7.a In case the remote control is not linked to the stand, use a small pin to press the link button besides the indicator light .



7.b While the indicator light is flashing, press the button shown below on the remote control and it is now paired to the stand.



8. You can set your digital signage at the desired height and adjust the angle of display using either the remote control, or the control button on the base.

