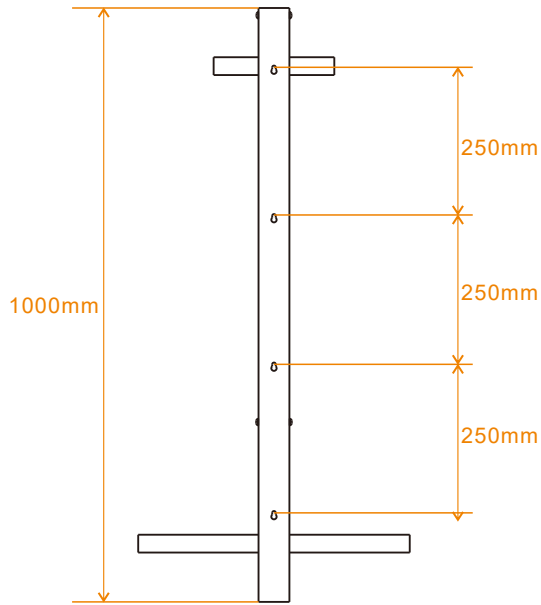


# INSTALLATION INSTRUCTIONS

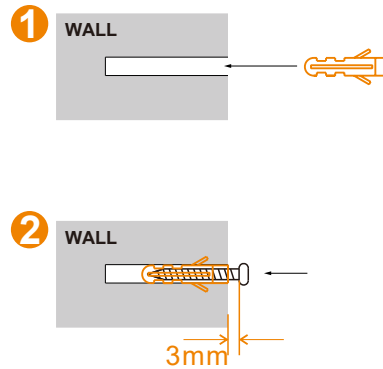
## FDWEASLGBK, FDWEASLGSV - Wall Mounted Easel

V21.01

1. Determine the desired mounting location and mark the center of each hole as shown below. Drill holes with power drill.



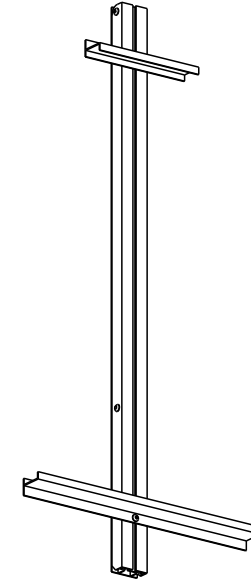
2. Insert 1 wall anchor into each hole and use a rubber mallet (not included) to tap them flush with the wall. Fasten anchor screws into the wall and leave 3mm gap between the screw head and the wall.



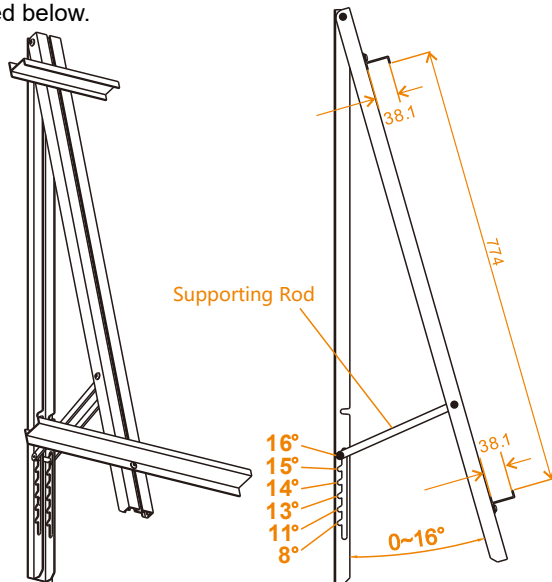
**HARDWARE**

Plastic Wall Anchor	4 Pcs
Anchor Screw	4 Pcs
Allen Wrench	1 Pcs

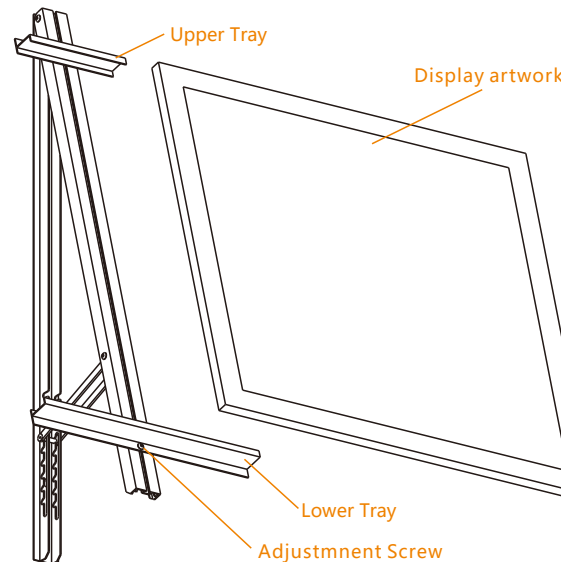
3. Align each hole center on the back of the easel with the corresponding anchor screw and hang the unit onto the wall. Check and make sure the easel is securely mounted.



4. Expand the front part of the easel from the back and fix it at the desired angle by locking the supporting rod in the corresponding cutout at the bottom. See the image and the angles listed below.



5. Loosen the screw on the lower tray and slide it to the desired height. Tighten the screw to fix the lower tray at the position.



6. Place your art board onto the easel. Adjust the upper tray similar to Step 5 then secure it by tightening the screw.

