

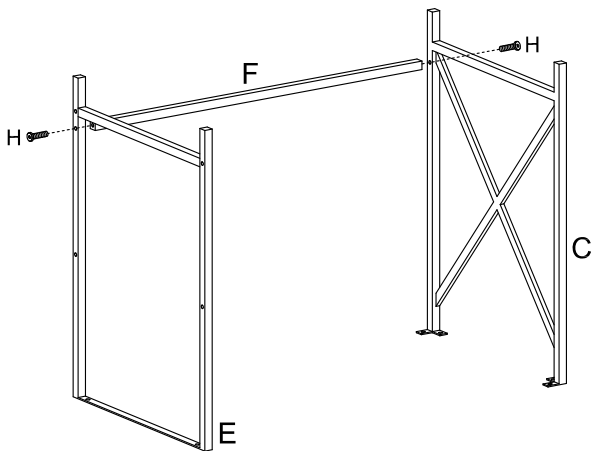
INSTALLATION INSTRUCTIONS

FDXDESKNAT, FDXDESKBRN - X-Sided Desk

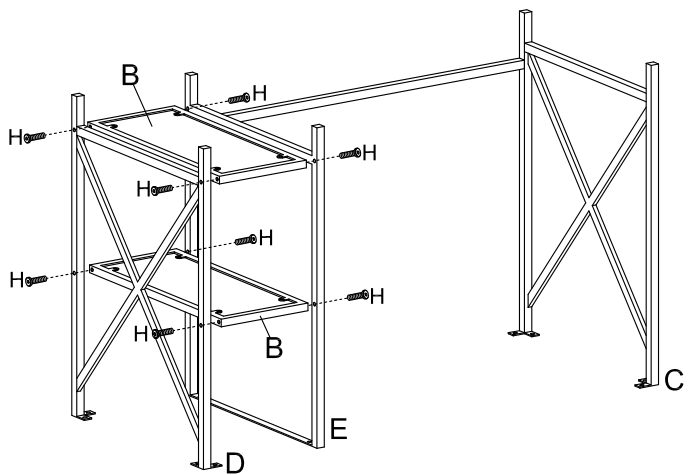
V21.01

<p>A×1PC</p>	<p>B×2PCS</p>	<p>C×1PC</p>	<p>D×1PC</p>	<p>E×1PC</p>
<p>F×1PC</p>	<p>G×10PCS</p>	<p>H×10PCS</p>	<p>I×1PC</p>	

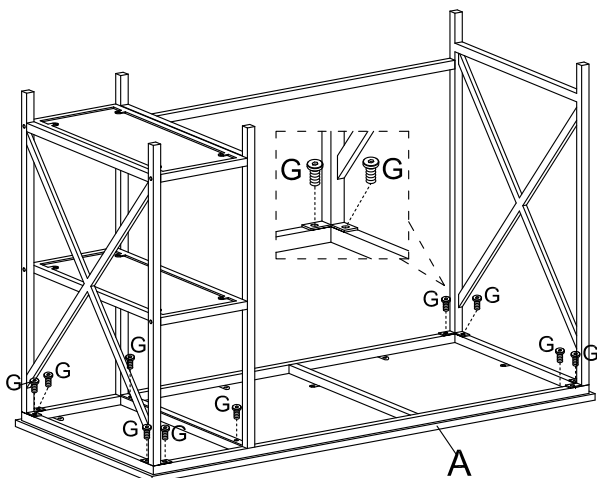
1. Connect the Side Frame (C) and the Middle Frame (E) with the Supporting Bar (F). Align the threaded holes on supporting bar with the holes on the frames as shown below, and screw in 1 Hex Screw (H) from each end. Tighten screws with the included Hex Key (I).



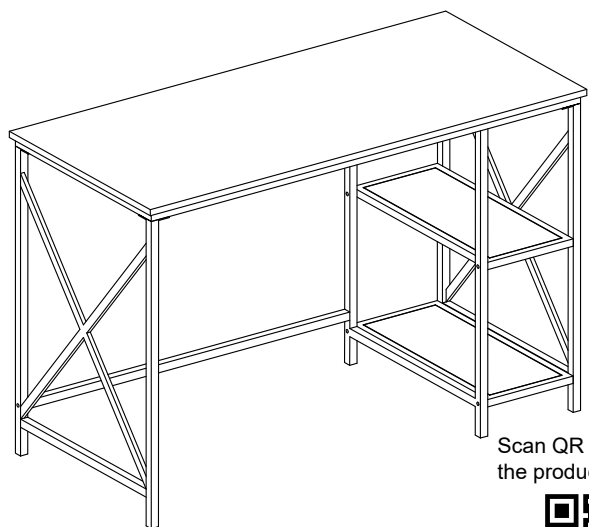
2. Connect the Side Frame (D) and the middle frame with 2 Shelves (B) as shown. Use Screws (H) and Hex Key (I) to secure the shelves from both sides.



3. Place the Desktop (A) on a clean and non-abrasive surface, upside down. Carefully lift the assembled frame with bottom facing up, and align pre-drilled holes on the tabs with the corresponding holes on the desktop. Use Screws (G) and Hex Key to secure the desktop onto the frame.



4. Flip the unit to its standing position. The assembly is finished.



Scan QR code to visit the product page:



If you have any questions regarding our products, please visit us at www.displays2go.com or contact D2G customer service 844-221-3388.