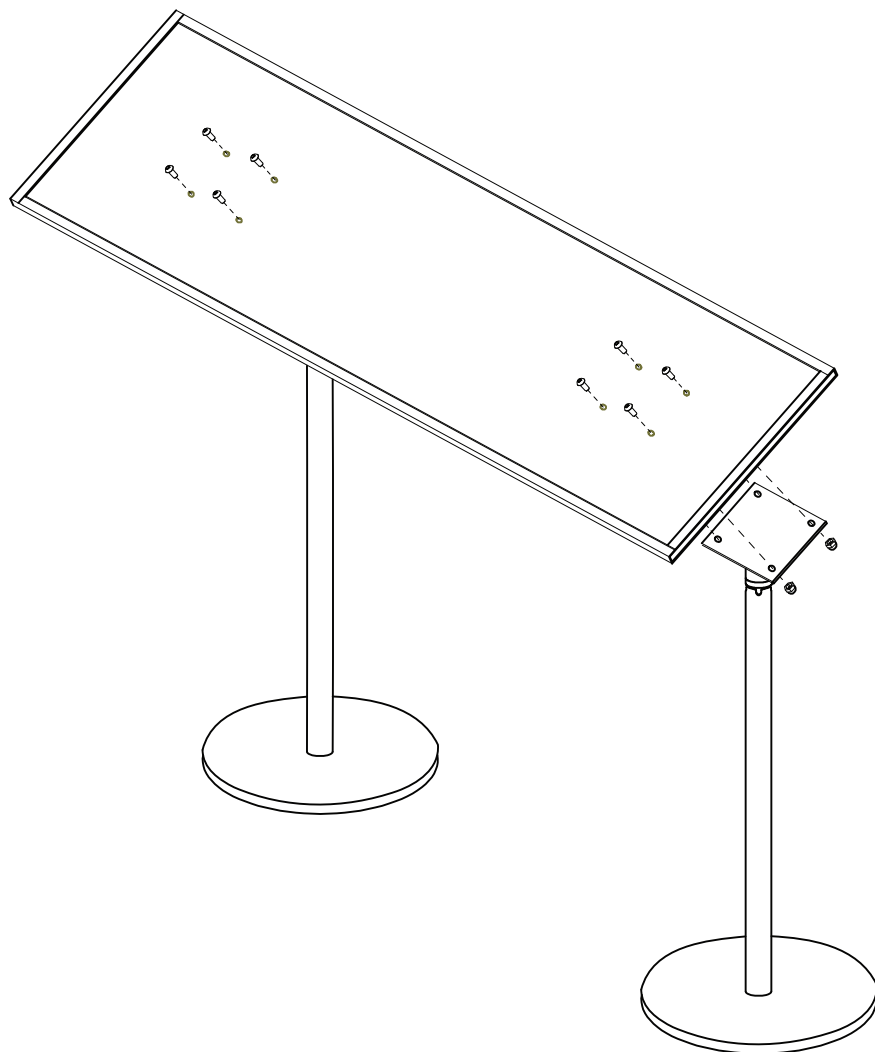
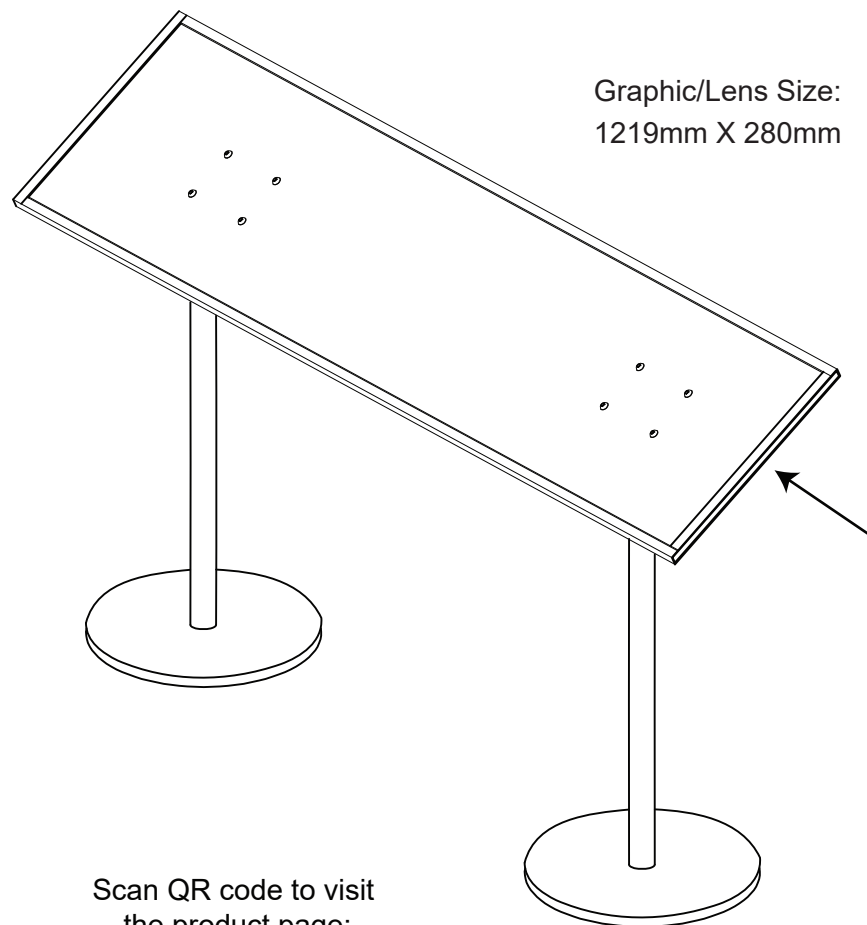


Step 1. Fix the panel onto 2 stanchions with included screws and nuts as shown below. Tighten hardware with a screwdriver and a wrench to secure the reader panel.



Step 2. Insert your printed graphics with clear lens on top into the open slot on the side. The assembly is finished.



Scan QR code to visit the product page:



NOTE: Poles and bases are sold separately.

FGMRPSIVER
FGMRPBLACK

If you have any questions regarding our products, please visit us at www.displays2go.com or contact D2G customer service at 844-221-3388