

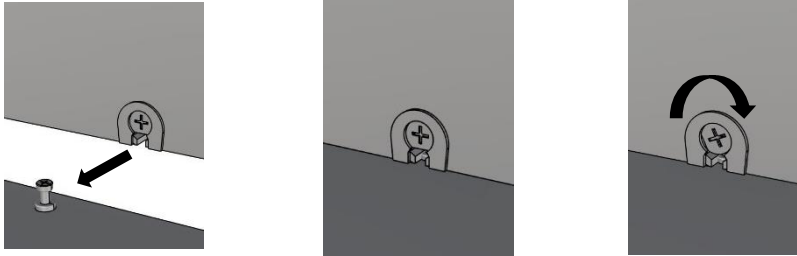
Assembly Instructions

V21.06

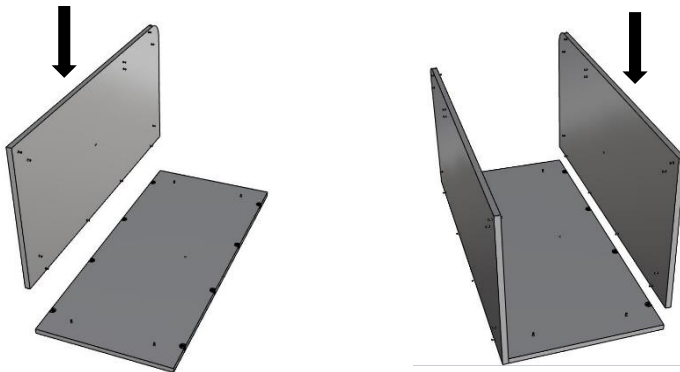
LCKDPZTRBK2 – Trash Receptacle, Black
LCKDPZTRSM2 – Trash Receptacle, Mahogany
LCKDPZTRMP2 – Trash Receptacle, Maple



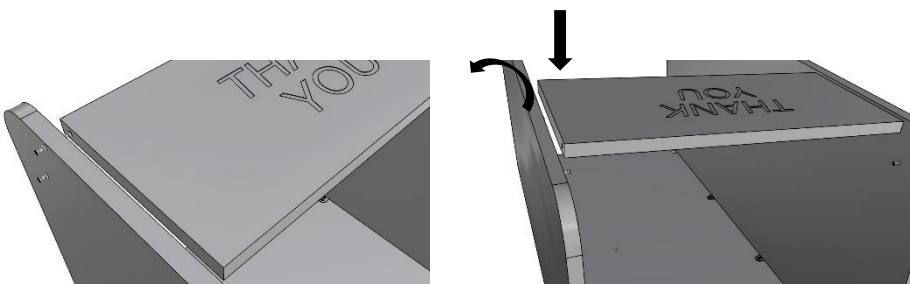
- 1 To lock the cams together, slide the peg into the opening in the cam and with a Philips head screwdriver, turn the cam clockwise to lock in place.



- 2 Drop side panel (B) into back panel (D) and lock all 4 cams. Do the same with side panel (C) and lock all 4 cams.



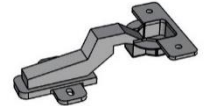
- 3 Sandwich one of the “Thank You” doors between the two side panels by putting one of the pegs into the hole at the top of the door and wedging the other side panel slightly to get the other peg into the other hole. The “Thank You” door should swing freely between the two pegs.



Cams and Pegs



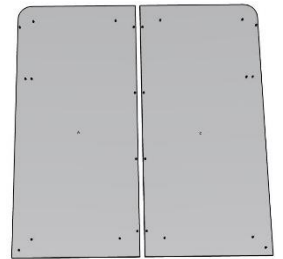
Hinge



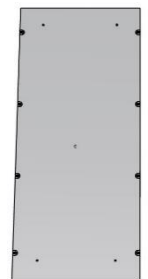
Hardware



Side Panels (B) (C)



Back Panels (D)



Kicker (N)



Panel (M)



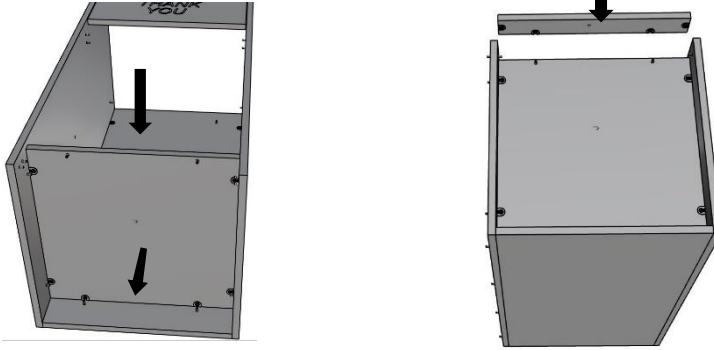
Assembly Instructions

LCKDPZTRBK2 – Trash Receptacle, Black
LCKDPZTRSM2 – Trash Receptacle, Mahogany
LCKDPZTRMP2 – Trash Receptacle, Maple



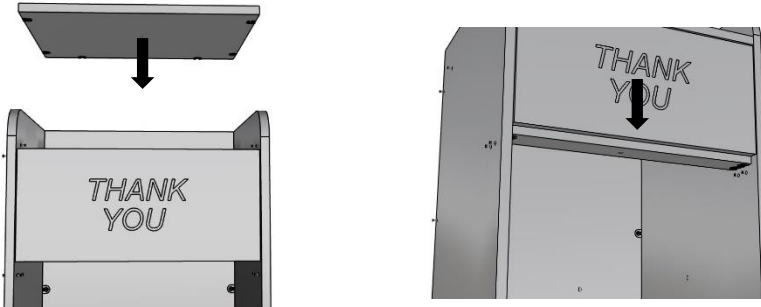
4

Attach base panel (J) by dropping it in between side panels and slide toward bottom and lock in place. Drop kicker (N) onto pegs below base and lock in place



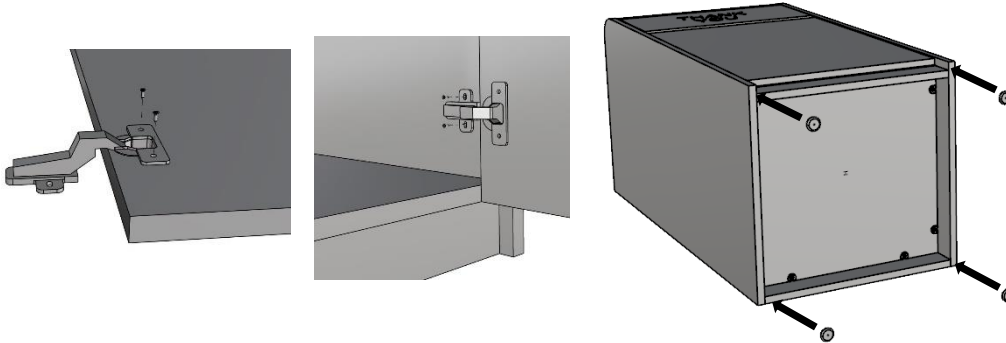
5

Drop top panel (I) onto the top of the unit and lock all cams. Drop panel (M) onto pegs below the "Thank You" door and lock all cams.



6

Attach hinges to Door (O) using pointed screws. Attach the door to the side panels. Insert glides to the bottom of the side panels and middle panel and use a rubber mallet as needed.



Thank You Doors



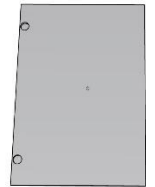
Base Panel (J)



Top Panel (I)



Doors (O)



Plastic Glide



Scan QR code to visit the product page:



If you have any questions regarding our products, please visit us at www.displays2go.com or contact D2G customer service 844-221-3388.