

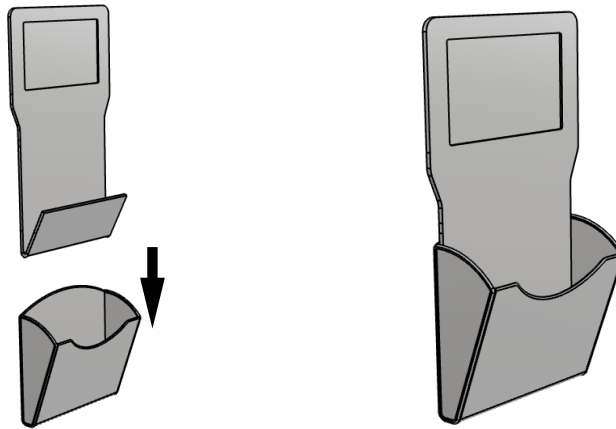
# Assembly Instructions

MSHWL10BK

DISPLAYS2GO

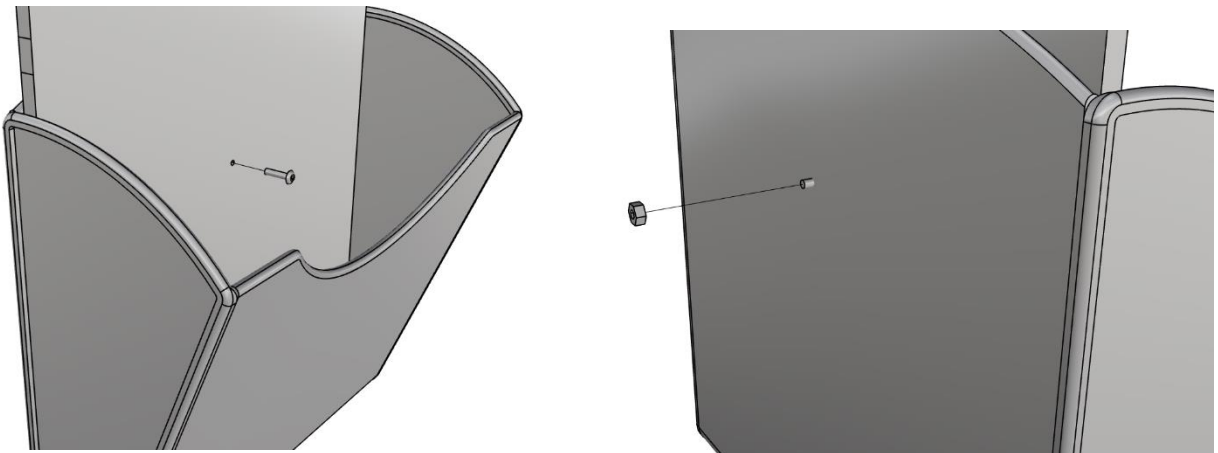
1

Slide Screen Mounting Unit down into the top Mesh Pocket.



2

Insert small screw through hole in the center of the Screen Mount Unit and secure it to the mesh pocket using nut.



If you have any questions regarding our products, please visit us at [www.displays2go.com](http://www.displays2go.com) or contact D2G customer service at 844-221-3388.