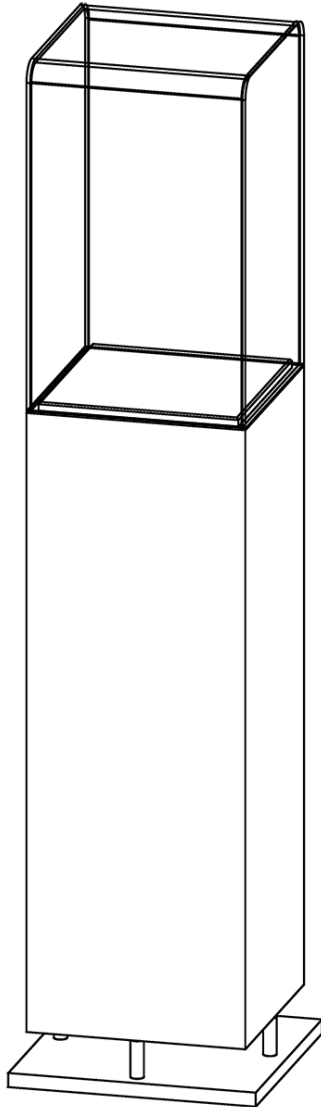




DISPLAYS2GO
CONNECTING PEOPLE & BRANDS WITH THE WORLD



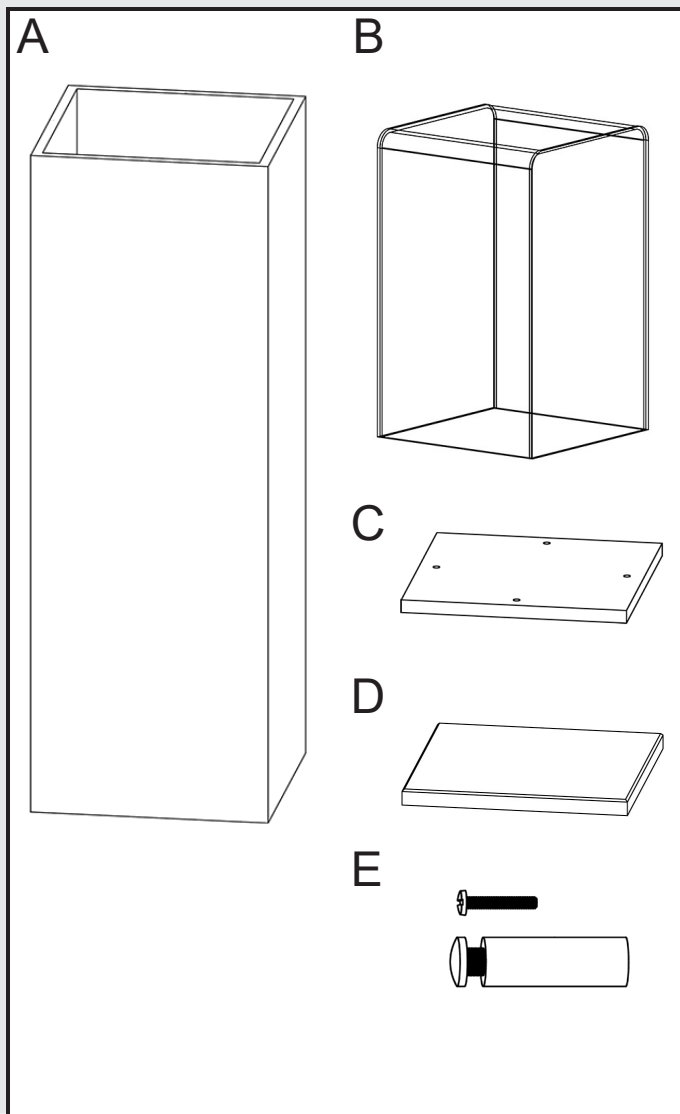
SKUs: PEDLEDSV, PEDLEDBK, PEDLEDWH

PEDESTAL DISPLAY CASE WITH LED LIGHT **Assembly Instructions**

PARTS LIST



Scan QR
code to visit
product page



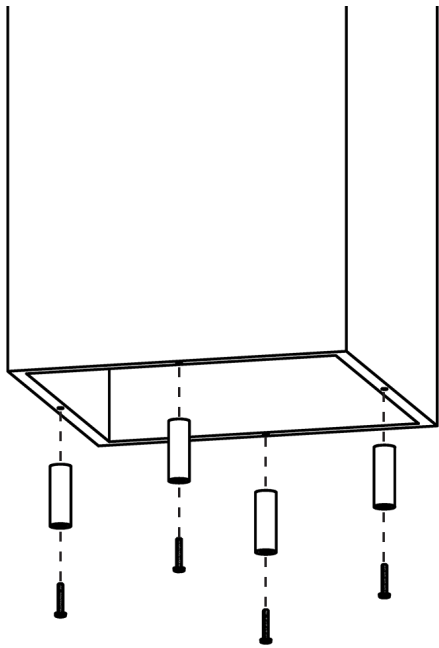
PART	QUANTITY
A: Pedestal Body	1
B: Display Case	1
C: Base	1
D: Acrylic Plate	1
E: Standoff	4

Tools needed: Screw Driver

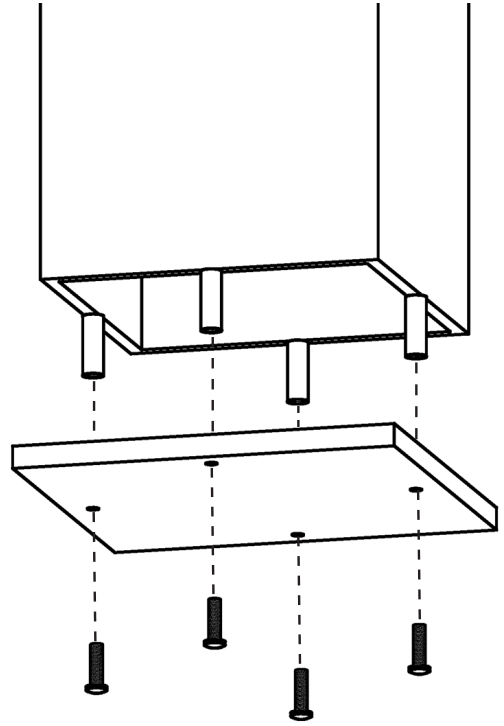
NOTE: Assemble the unit on soft cloth to avoid scratches. The assembly must be done on a level ground.

If you have any questions regarding our products, please visit us at www.displays2go.com or contact our customer service at 844-221-3388.

1



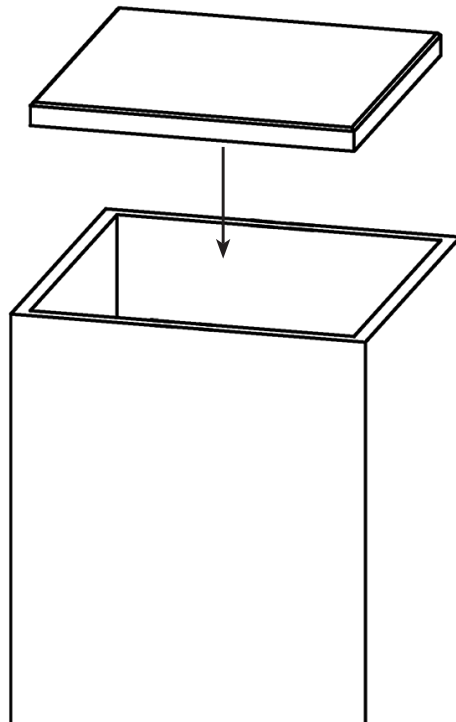
2



1. Separate each standoff cap from its base. Use enclosed hardware and a screw driver (not included) to secure all 4 standoff bases to the bottom of the pedestal body.

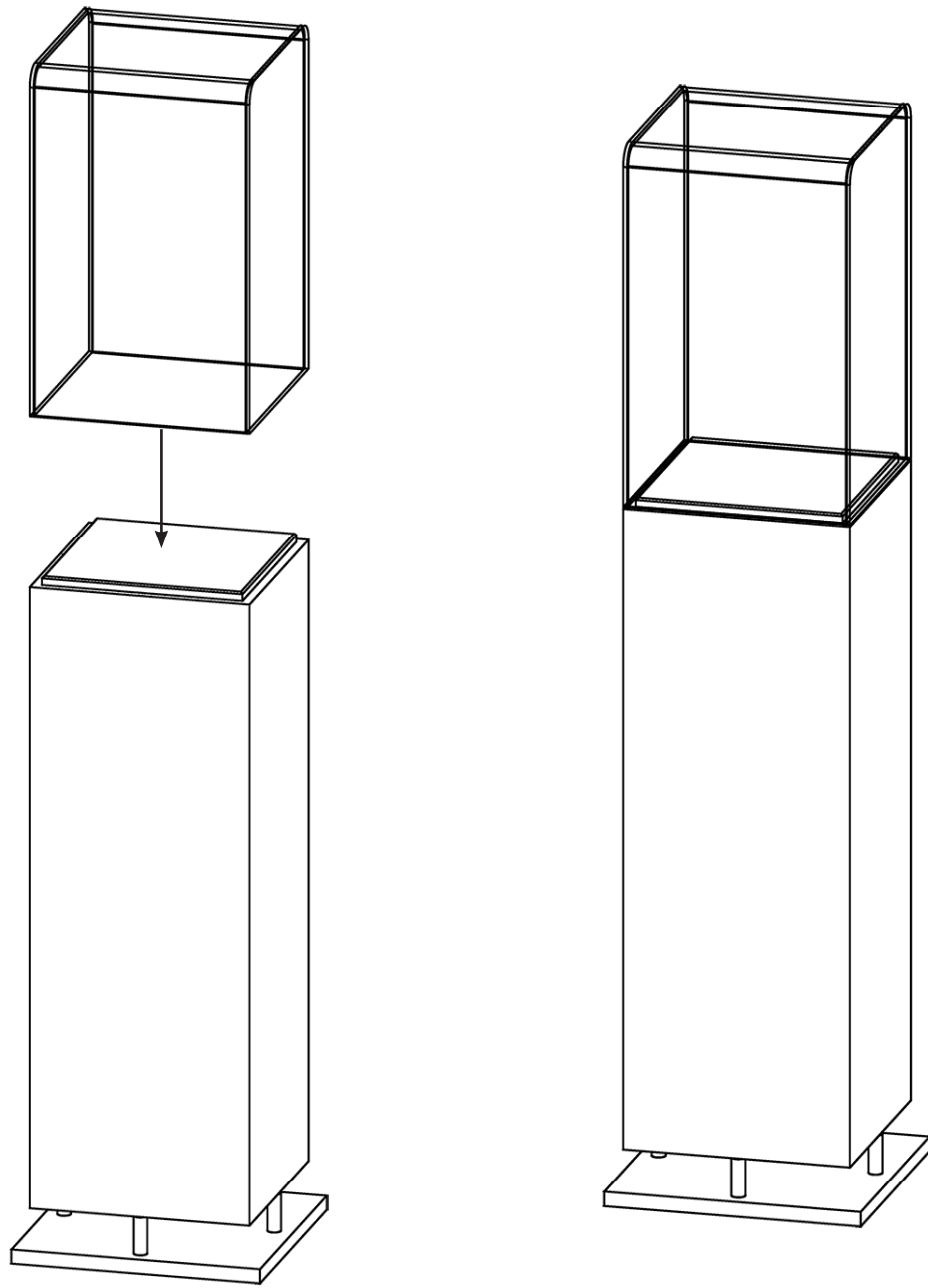
2. Attach the Base plate to fixed standoffs and align each hole with corresponding standoff barrel. Insert standoff caps through holes and tighten by hand.

3



3. Move the pedestal body to its standing position. Place the Acrylic plate on top of the pedestal body, make sure it sits inside the pedestal.

4



4. Carefully place the displaying item at the center of the acrylic plate. Slowly lift the display case and place it on top of the pedestal. Plug the power cord into the outlet to light up the display case.

Enjoy your new pedestal!

CONTACT INFORMATION:
WEB: www.displays2go.com
PHONE: 844-221-3388.