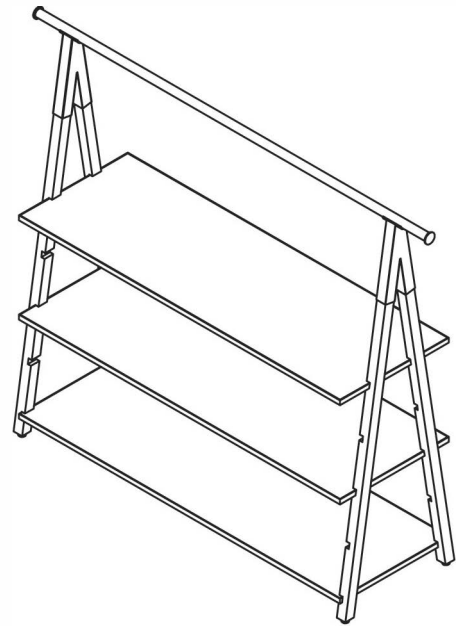


<p>PPLNTPSW2NAT PPLNTPSW2BRN</p>	<p>1</p>		<p>2</p>
<p>PARTS LIST</p>	<p>3</p>		<p>4</p> <p>Secure the shelf by using the included screws, brackets and washers at 4 corners under the shelf.</p>

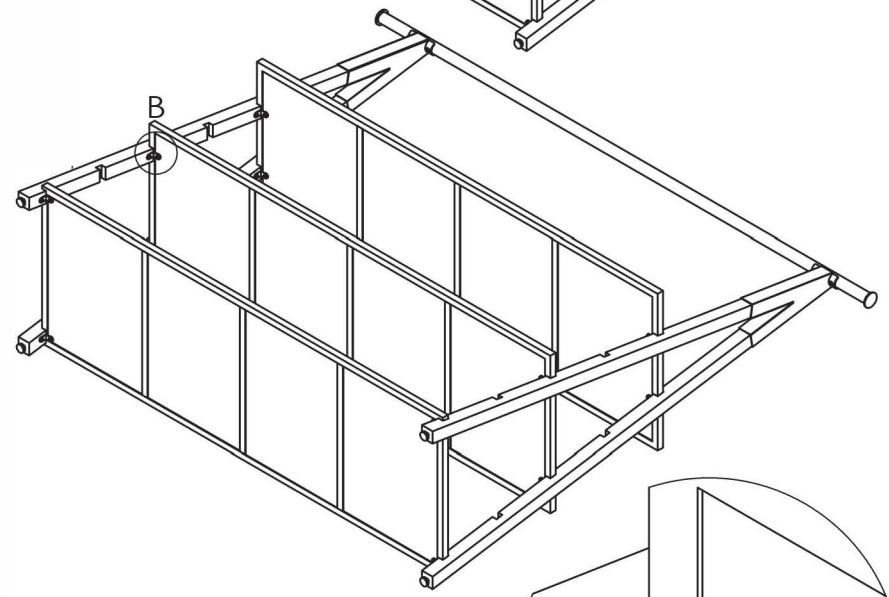
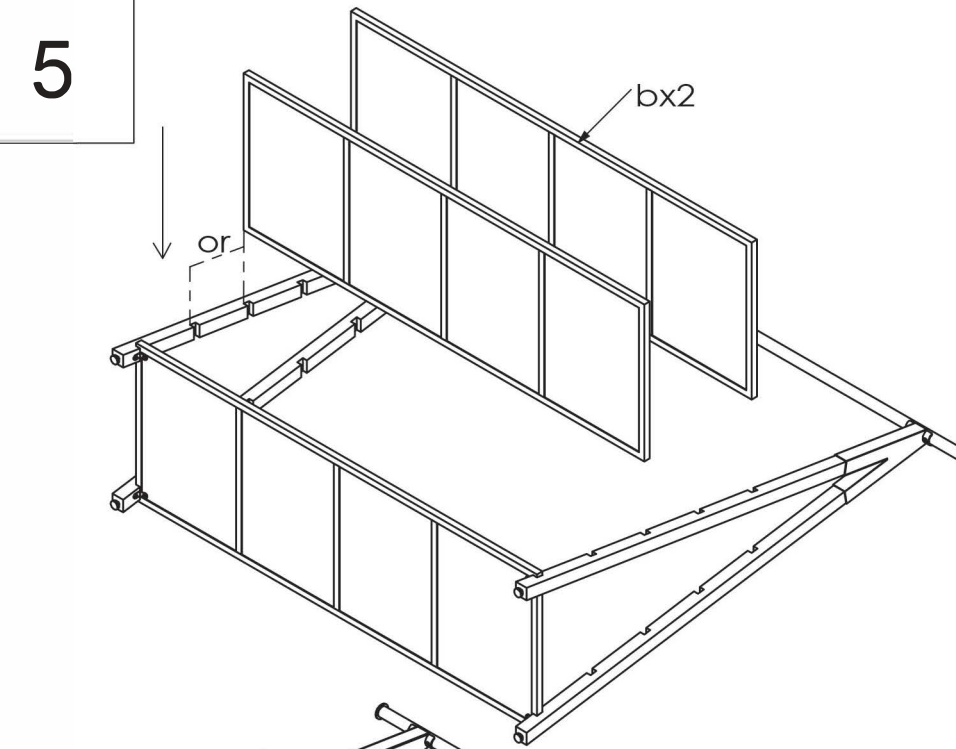
If you have any questions regarding our products, please visit www.displays2go.com or contact D2G customer service at 844-221-3388.

PPLNTPSW2NAT PPLNTPSW2BRN

5



Scan QR code to visit the product page :

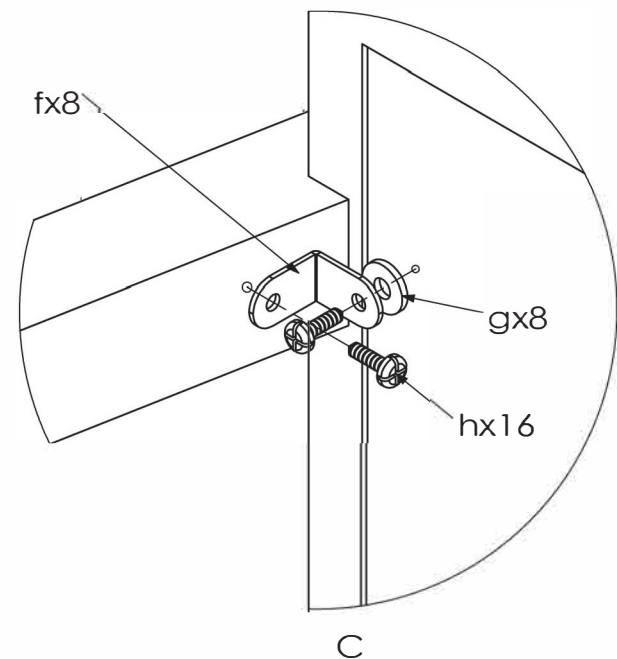
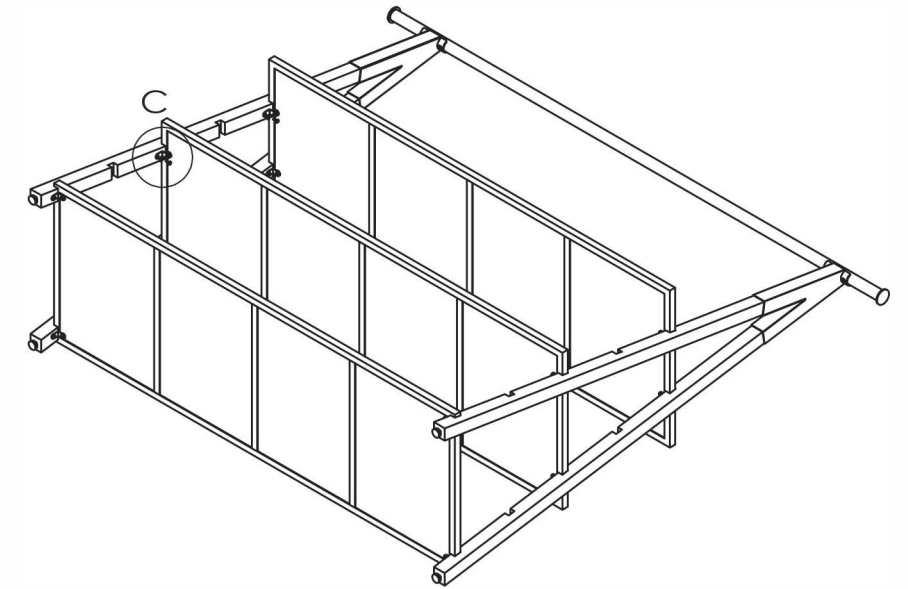


Place the shelves in the slots

B

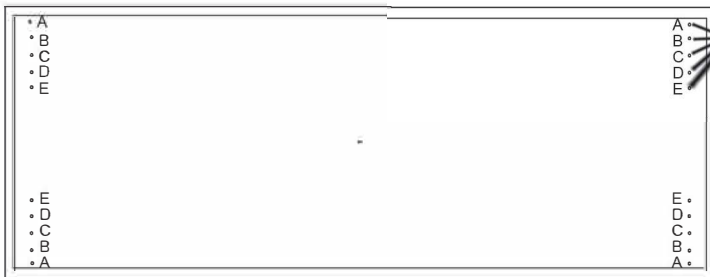
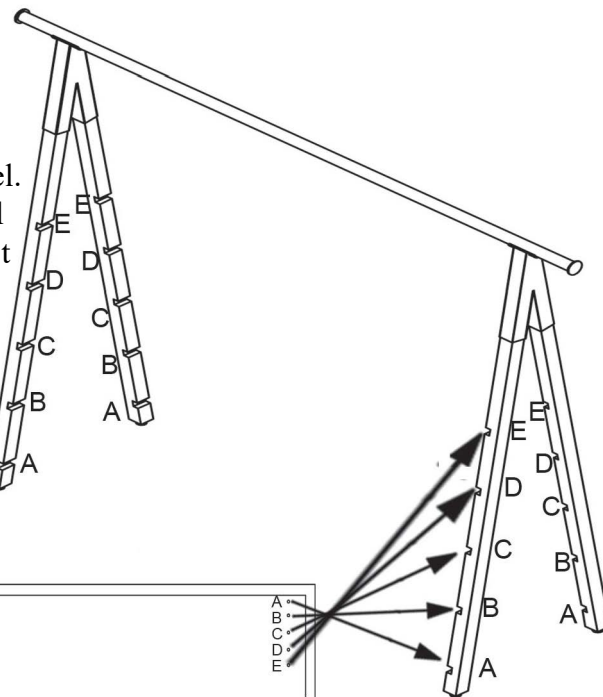
NOTE: The rest 2 shelves can be fixed at different level as desired, other than shown in pictures above.

6



C

NOTE:
Each shelf has 5 groups of 4 pre-drilled holes.
Use the 4 outermost holes when fixing the shelf at the bottom level.
Use the next 4 holes for 2nd level level up, etc. And use 4 innermost holes to assemble the shelf at the top level.



If you have any questions regarding our products.plesase visit www.displays2go.com or contact D2G customer service at 844-221-3388.