






ASSEMBLY INSTRUCTIONS

SMWMPNLT3S & SMWMPNLTDB

Ver 19.08

PARTS LIST

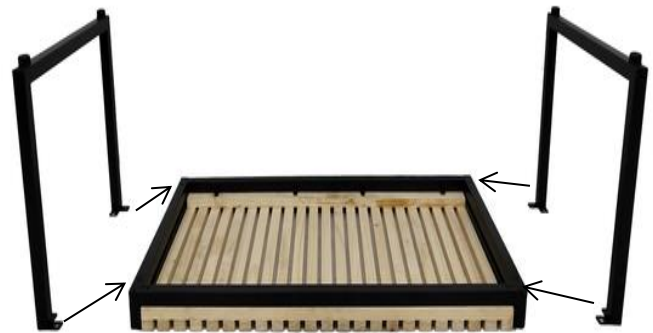
<p>A</p> 	<p>B</p> 	<p>C</p> 	<p>D</p> 
<p>WOOD TABLE TOP x1</p>	<p>SIDE FRAME x2</p>	<p>SCREW x 8</p>	<p>ALLEN KEY x1</p>
<p>E</p> 			
<p>LEVEL FOOT x4</p>			

Step 1.



Screw 2 Leveler Feet (E) into the bottom of 1 Side Frame (B). Assemble the other Side Frame with Feet the same way.

Step 2.



Attach the assembled Side Frames to the Table Top (A) with 8 Screws (C) by using provided Allen Key (D).

Step 3.



Carefully lift the table to its upright position. The assembly is finished.

Scan QR code to visit the product page:



DISPLAYS2GO

If you have any questions regarding our products, please visit us at www.displays2go.com or contact D2G customer service 844-221-3388