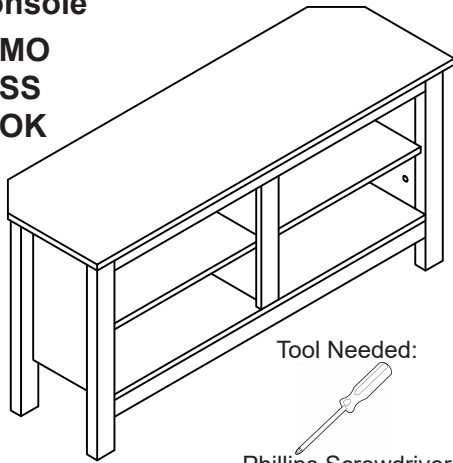


## 49" TV Console

**TVCON49MO**  
**TVCON49SS**  
**TVCON49OK**



2 people are required



Tool Needed:

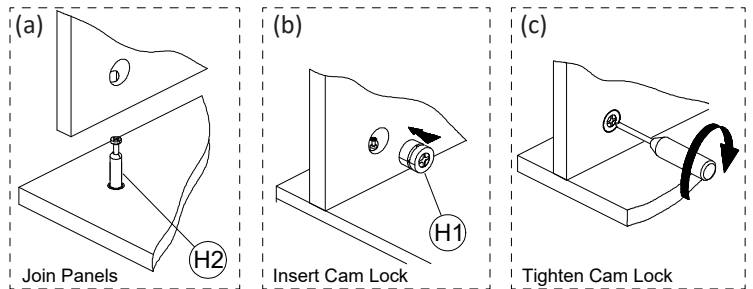


### PARTS LIST

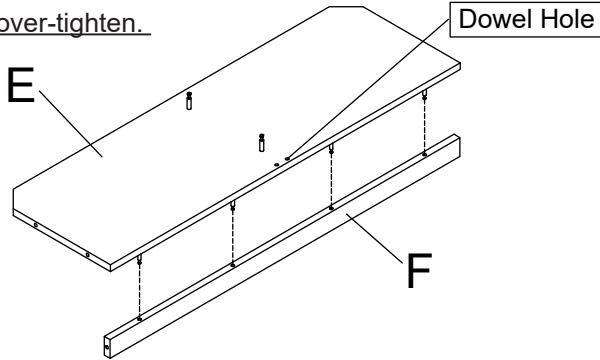
No.	Qty.	Description	No.	Qty.	Description	No.	Qty.	Description
A	1	Top Panel	G	1	Middle Panel	H1	74	Cam Lock
B1	1	Side Panel-Left	H	1	Front Panel			
B2	1	Side Panel-Right	I	2	Shelf	H2	74	Cam Post
C	2	Front Leg	J	1	Horizontal Panel			
D	2	Back Leg	K	1	Back Panel	H3	4	Grommet Cap
E	1	Bottom Panel	L	2	Back Panel			
F	1	Toe Kick Panel	M	2	Corner Panel	H4	4	Grommet Sleeve

How to join 2 boards with CAM lock:

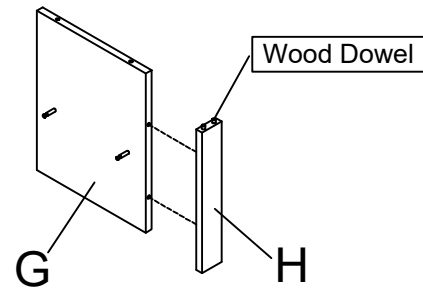
- Insert cam post into flat surface of a board and fix it with a screw driver. Do not over tighten. Fit the hole in the edge of the joining board over the cam post.
- Insert the cam lock into the cam hole. Be sure the opening section on the back fits the head of the cam post.
- Use a screw driver to turn the cam lock clockwise so it locks onto the head of the cam post. Do not over tighten.



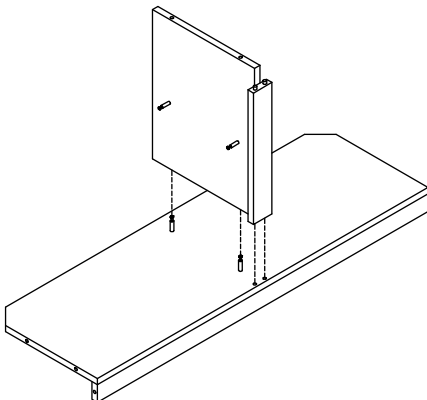
- Insert 6 cam posts (H2) into holes on Bottom Panel E. Tighten only until snug. Fit cam holes in the edge of Toe Kick Panel F over the cam posts. Insert 4 cam locks (H1) into cam lock holes on Panel F, use a phillips screw driver to turn cam locks clockwise to secure cam posts. **DO NOT over-tighten.**



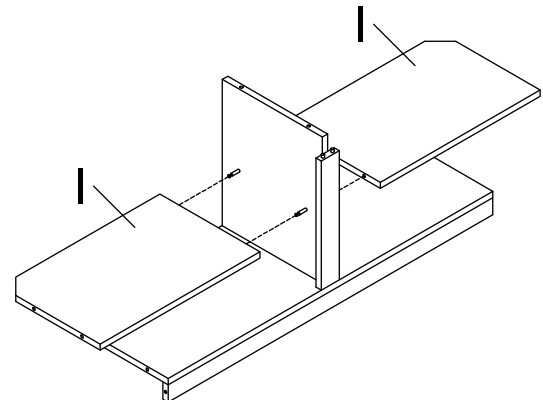
- Insert cam posts into Middle Panel G and Front Panel H. Attach Panel H to Panel G as shown and secure it with cam locks.



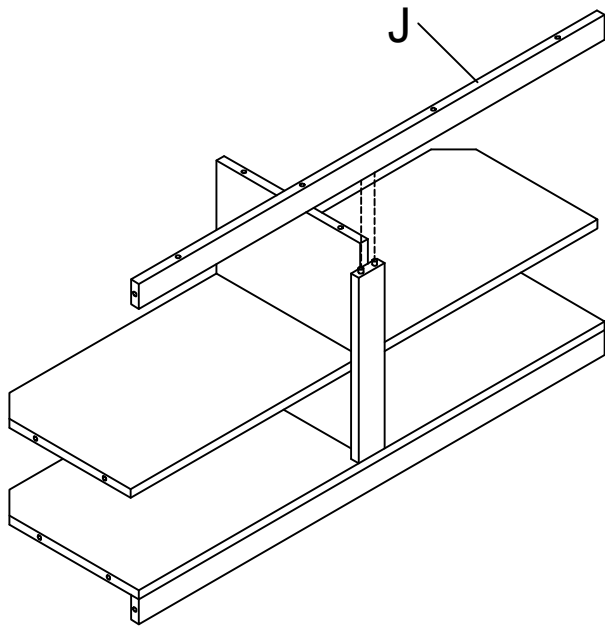
- Attach the panel assembly in Step 2 to the bottom panel as shown. Insert cam locks into cam lock holes and tighten to secure.



- Attach Shelf Panels (I) on both sides of the panel assembly in Step 3 as shown. Use cam locks to secure the shelves.

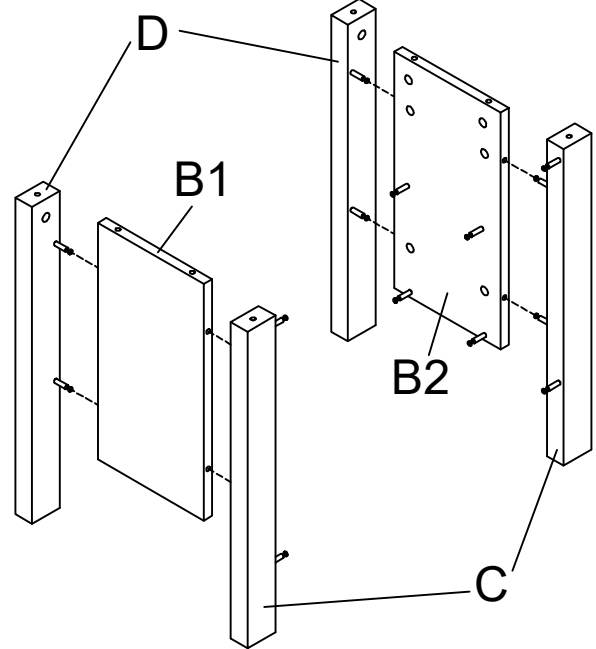


5. Attach the Horizontal Panel (J) to the top of Panel H by inserting the dowels into the corresponding dowel holes as shown.



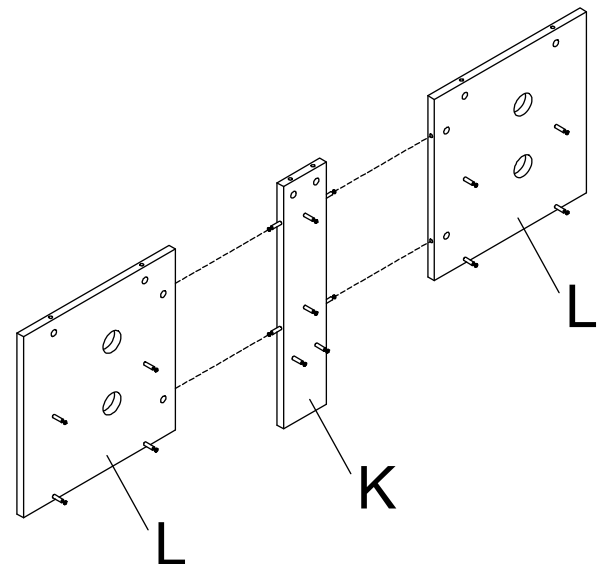
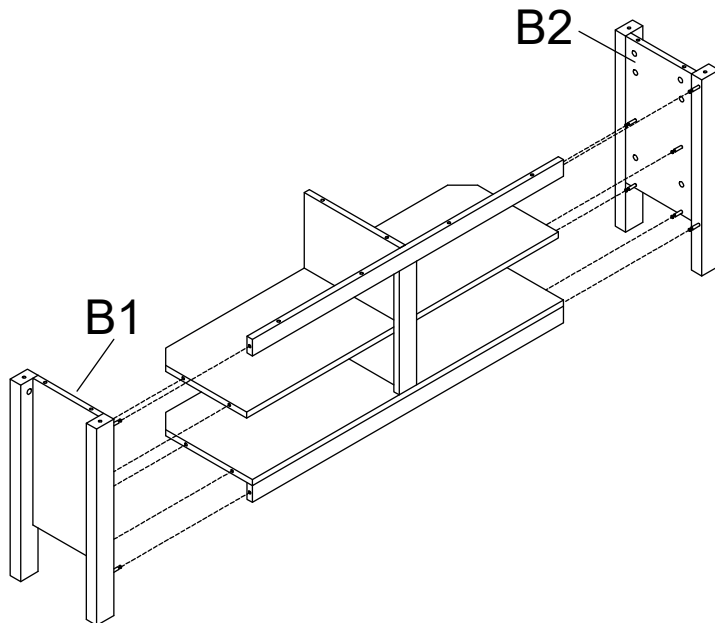
6. Insert cam posts into Side Panels (B1, B2) and legs (C, D).  
NOTE: Find the labels on the side panels to identify left and right side.

Lay the panel B, C and D as shown below. Attach 1 Panel C and 1 Panel D to the Left Side Panel B1 and use cam locks to secure the assembly. Repeat the step to assemble the right side panel.

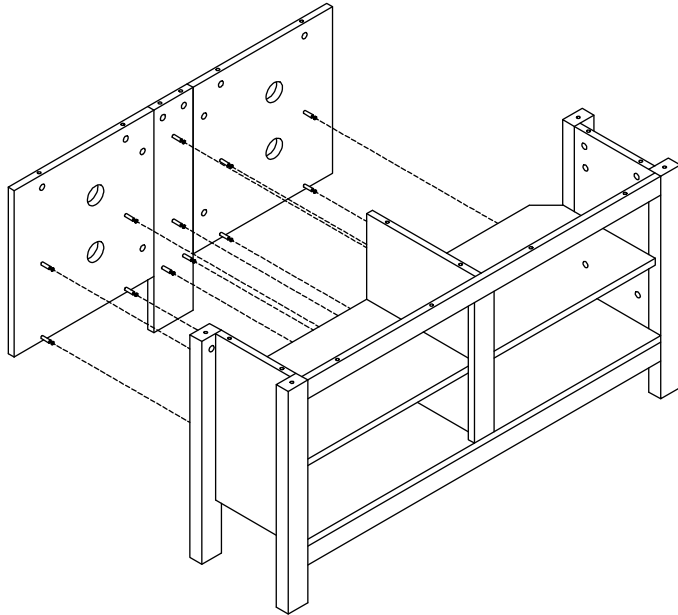


7. Use side panels assembled in Step 6 to sandwich the panel assembly finished in Step 5.  
NOTE: Check both side panels to make sure they are on the correct side. The panels won't fit in if placed on the wrong side.

8. Insert cam posts into Back Panels (K, L). Assemble these 3 panel as shown below and use cam locks to fit them together.

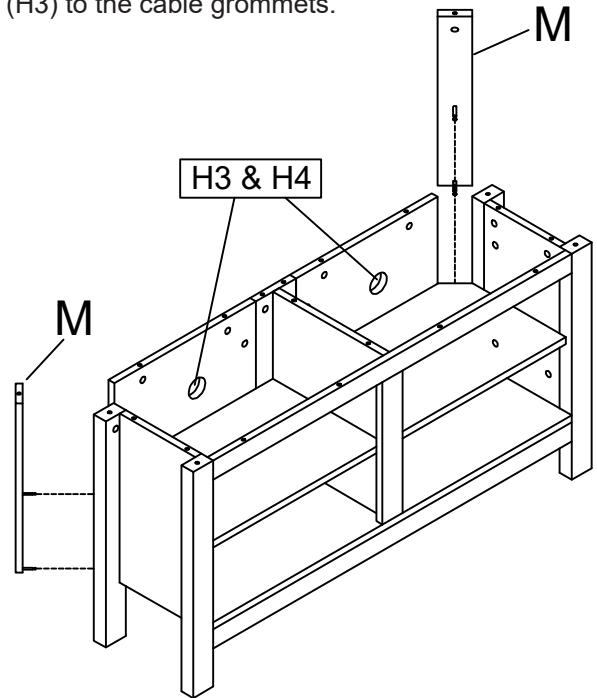


9. Attach the back panel assembly to the main console body finished in Step 7. Insert cam locks into cam lock holes to secure the back panel.



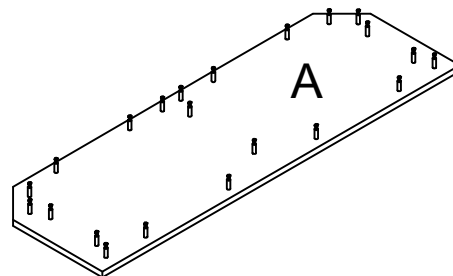
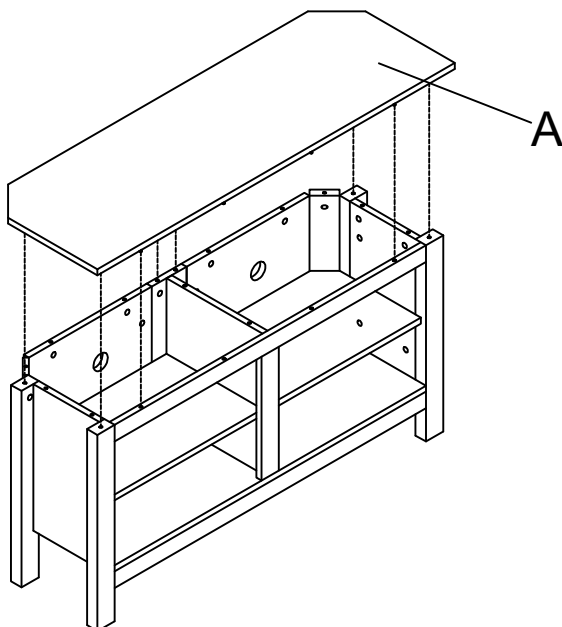
10. Insert cam posts into Corner Panels (M). Attach 1 corner panel to each corner at the back of the TV console. Use cam locks to fix them.

Insert 1 Grommet (H4) into each grommet hole on the back panel and press in until it fit snugly. Attach the Grommet Caps (H3) to the cable grommets.



11. Insert the remaining cam posts into the Top Panel (A).

Assemble the Panel A with the finished assembly in Step 10 by inserting the cam posts into corresponding holes. Fix the top panel with the rest cam locks. The assembly is finished.



Scan QR code to visit the product page:

