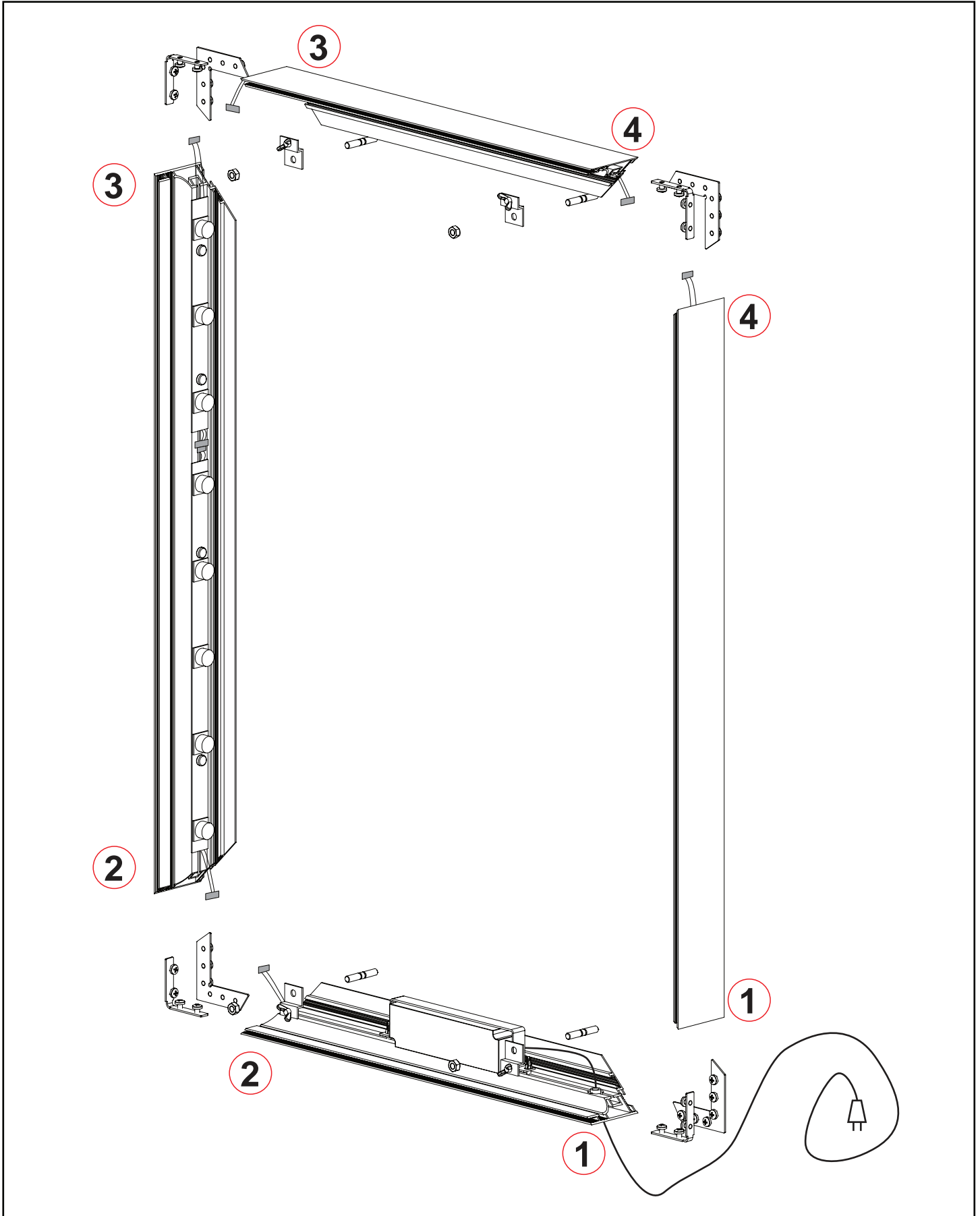


ASSEMBLY INSTRUCTIONS

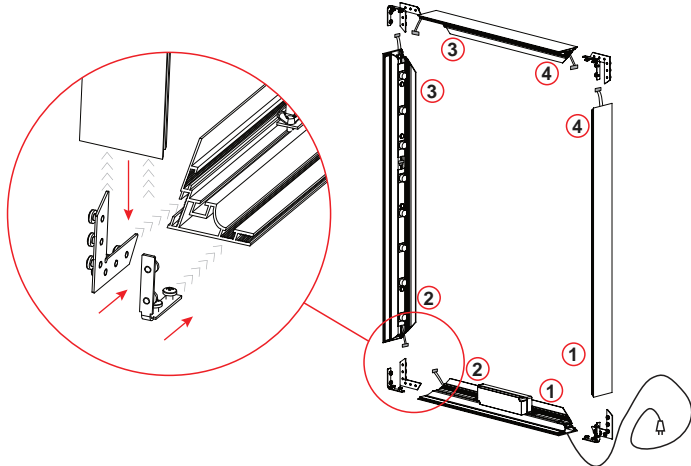
WMSEG - Wall Mounted SEG Signage



ASSEMBLY INSTRUCTIONS

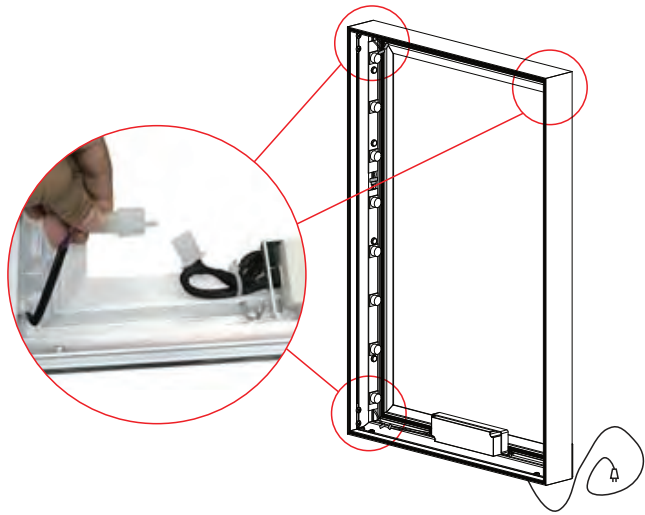
WMSEG - Wall Mounted SEG Signage

STEP 1. Assemble the SEG frame by connecting LED light panels with the "L" shaped brackets. Make sure there's no gap at the corner then tighten screws on the brackets to fix the frame.

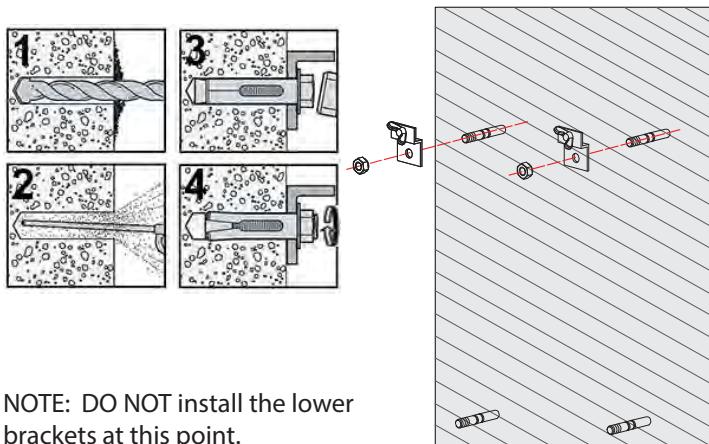


TIPS: Match the numbers labeled at the ends of each panel.

STEP 2. Connect the power cords at the corners as shown:

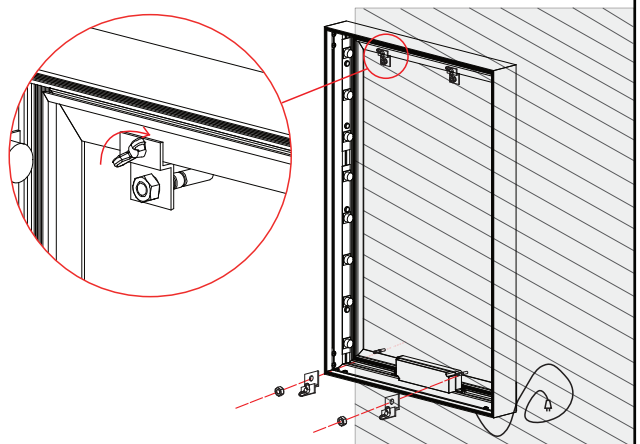


STEP 3. Mount the upper brackets first. Find the desired location to hang the SEG frame. Use the assembled SEG frame to help to mark the drill points and install the stud anchors as instructed below:

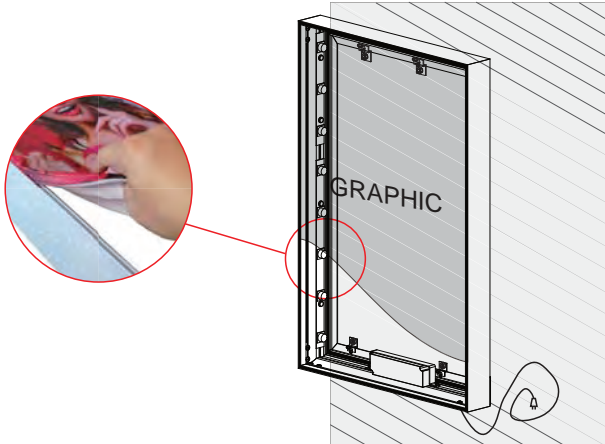


NOTE: DO NOT install the lower brackets at this point.

STEP 4. Hang the SEG light box on the installed upper brackets. Tighten the wing nuts on the upper brackets first. Install the lower brackets and tighten the wing nuts on the lower brackets.

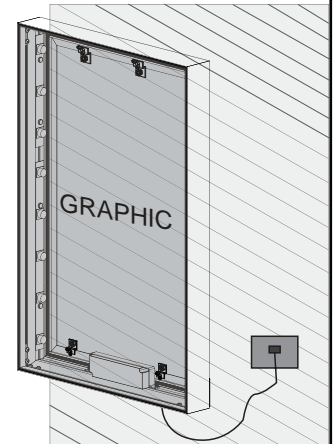


STEP 5. Assemble the SEG graphic to the mounted frame by inserting the silicon edges into the grooves on the sides of the frame.



STEP 6. Plug in the power cord to turn on the LED light. The assembly is finished.

Scan QR code to visit the product page:



If you have any questions regarding our products, please visit us at www.displays2go.com or contact D2G customer service at 844-221-3388.