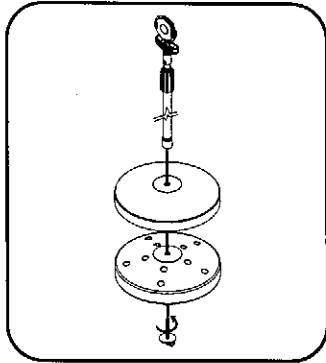
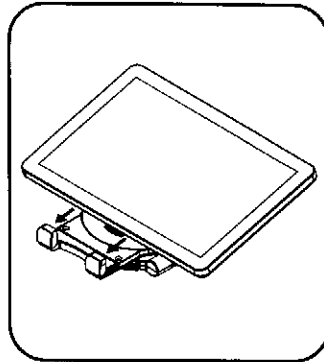


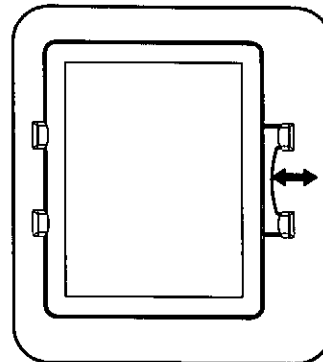
How to use



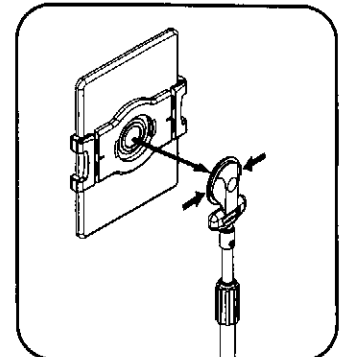
Assembly



Place tablet on one side of bracket

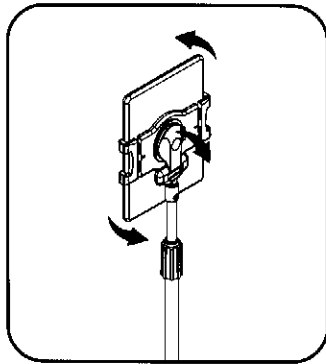


Pull open the bracket over the tablet and release

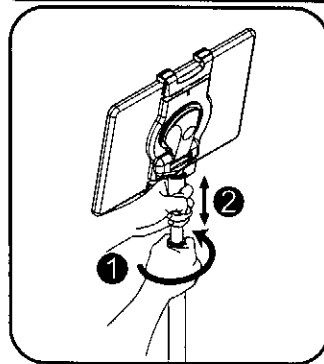


Attach to the panel

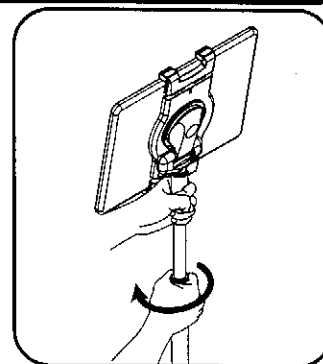
Caution: Please ensure that tablet is securely fixed in.



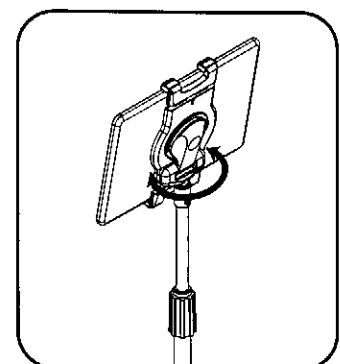
Horizontal / vertical view with angle adjustments



Release the knob to adjust the height



Tighten



Rotates 360°

Caution: Please hold the pole when make adjustment