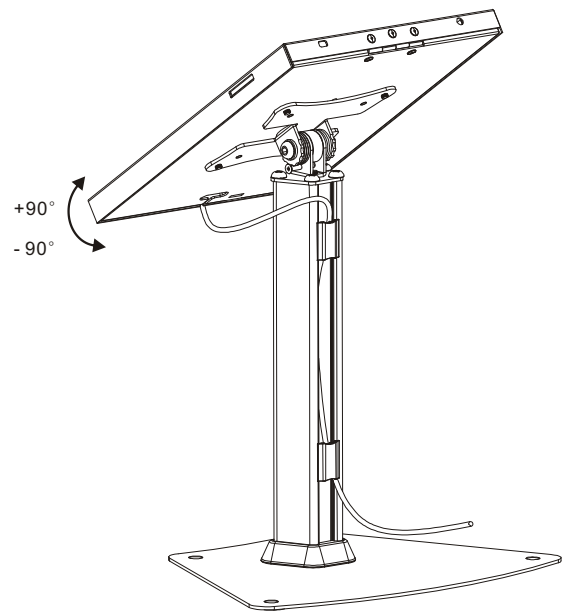
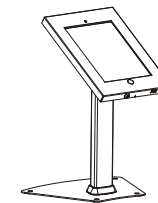
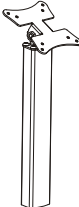

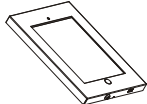









7



Installation Instruction



ITEM	DESCRIPTION/PART NO.	QUANTITY	ITEM	DESCRIPTION/PART NO.	QUANTITY
A	 pole	1	F	 M6x16	4
B	 anti-theft box	1	G		4
C	 base	1	H	 Concrete anchor	4
D	 plastic pad	1	I	 Allen key	1
E	 key	2	J	 M5x8	4

