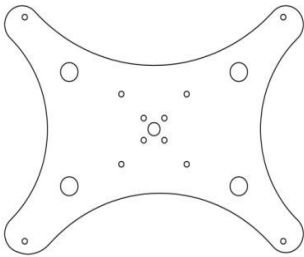


User Manual

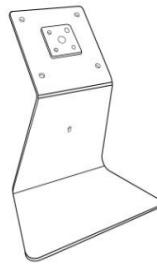
Thank you for ordering table tablet kiosk stand. Let's start setting it up!

Parts you will find:

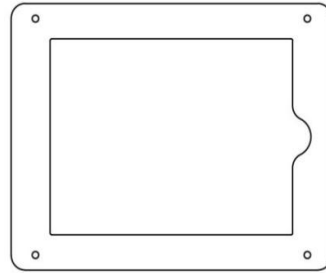
1 Aluminium Plate



2 Aluminium Stand



3 Acrylic Cover



4 Long Screws "a"

8pcs



Short Screws "b"

4pcs



Self-tapping Screws "c"

2pcs



5 Acrylic Corner



A



B



C



A

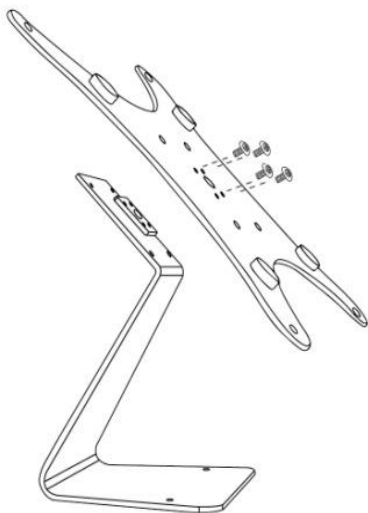
6 Screwdriver



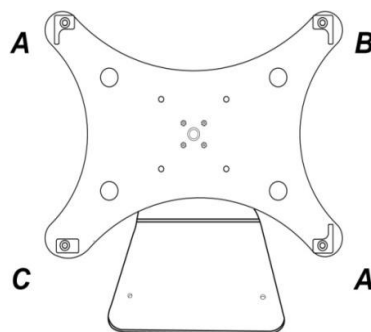
7 3M Sticker 4pcs



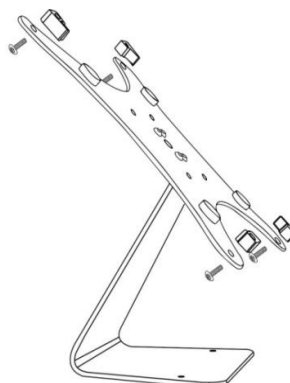
Step1 Connect the **Aluminium Plate** to the **Aluminium stand** using 4pcs **Screw "b"**



Step2 Connect 4pcs **Acrylic corners** to the **Aluminium Plate** using 4pcs **Screw "a"**

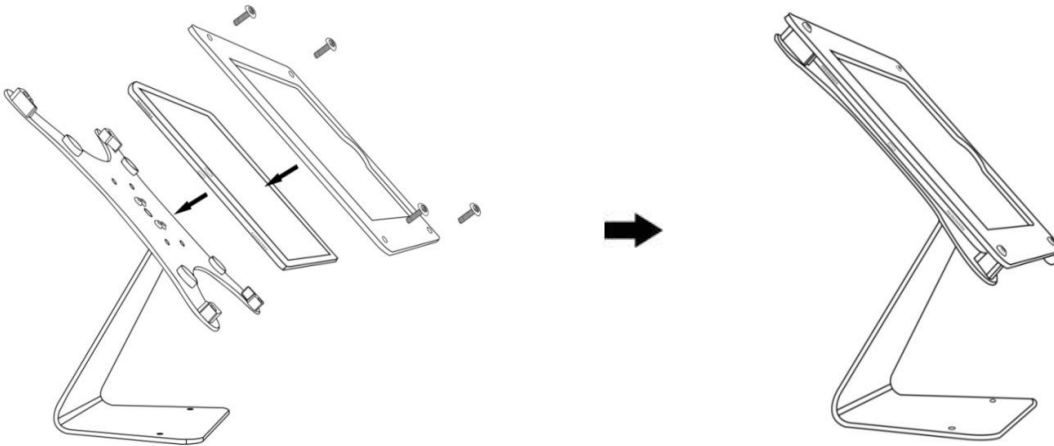


Corner A at A position,
Corner B at B position,
Corner C at C position,

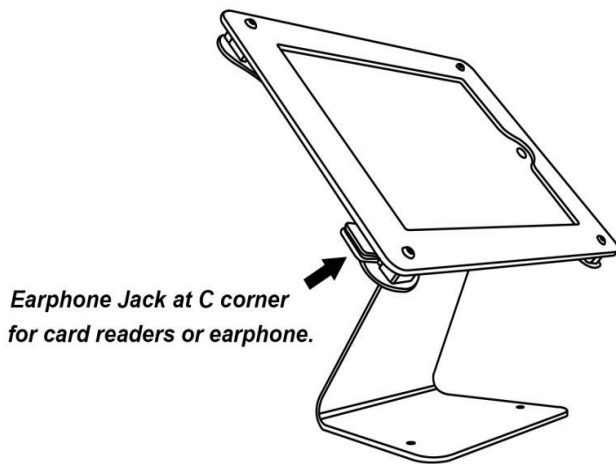


Do not fully tighten all screws!
Need to adjust in next step.

Step3 Add your **Tablet PC** and add the **Acrylic cover** using 4pcs **Screw "a"**.
Fully tighten all screws after installed all parts correctly.

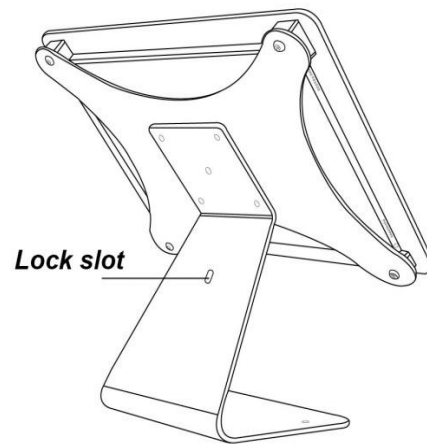


When put the tablet, the **Earphone jack** should be on **C corner** if you want to attach earphone or card reader.



Kensington Security Slot

A Kensington Security Slot can be found on the stand. A Universal Computer Security Cable can be attached to this slot to add an extra theft deterrent. (Lock not included)



Step4 Fix the stand on table using **Screw "c"**

You can also add the 3M sticker on the bottom to fix on table as an option.

