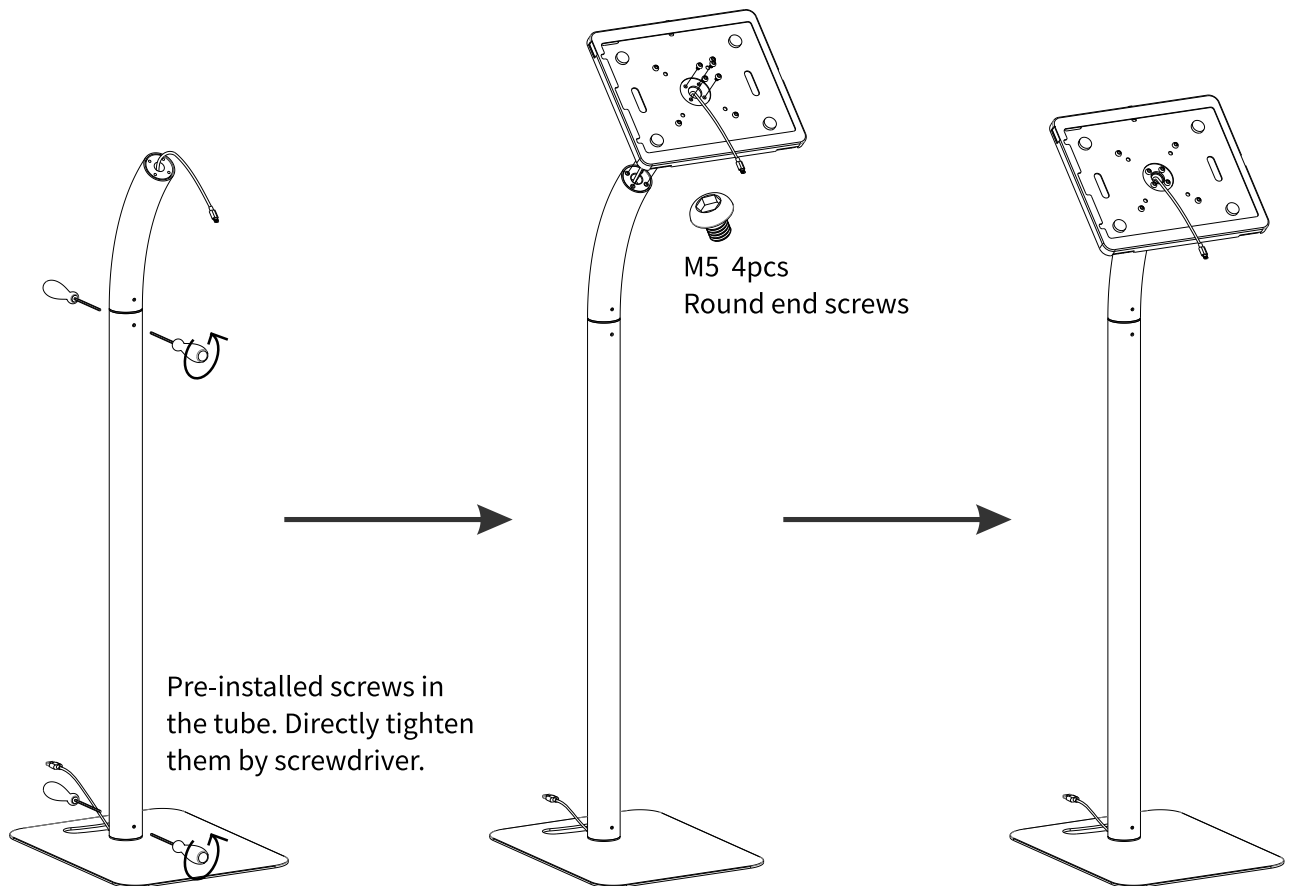
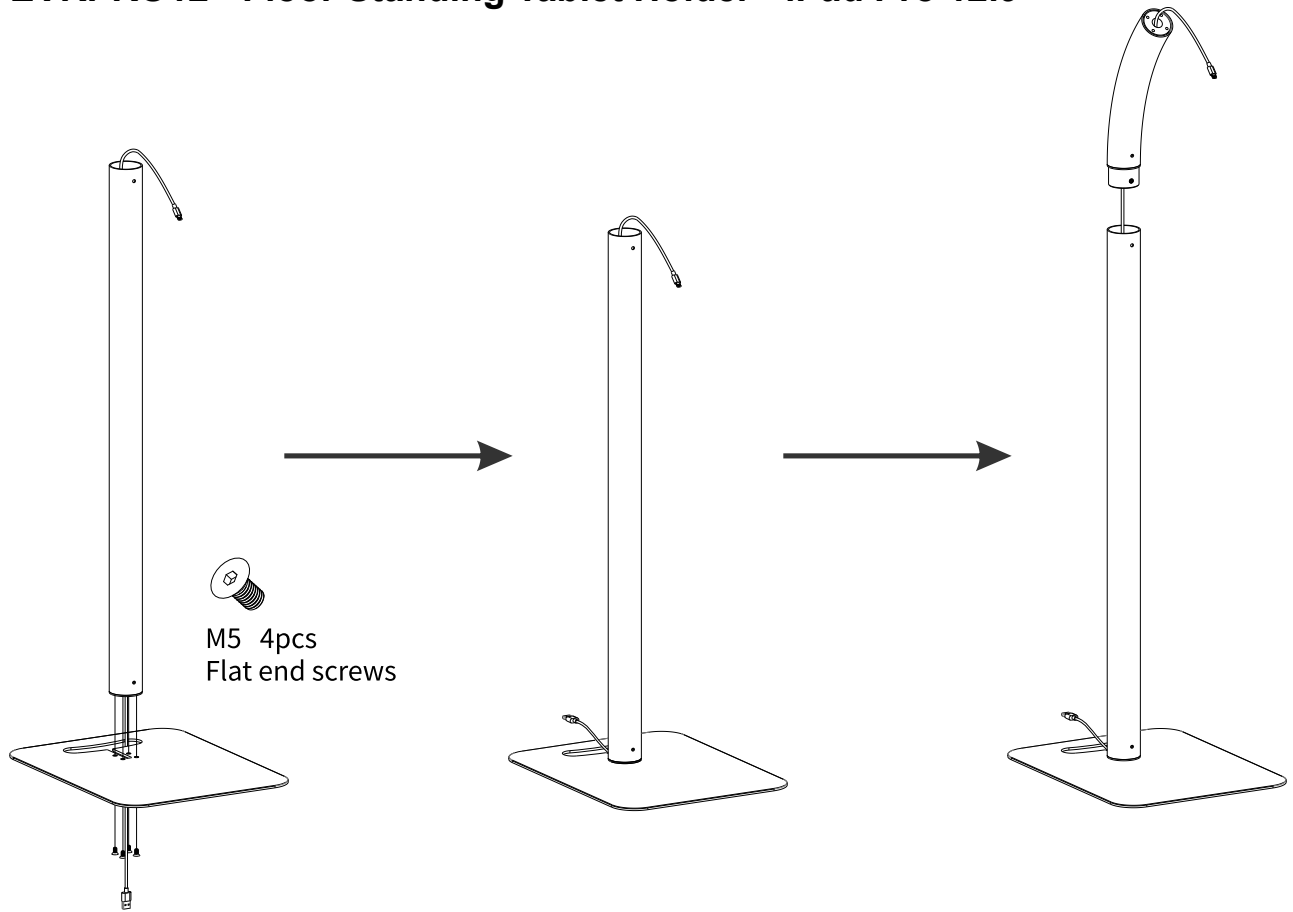


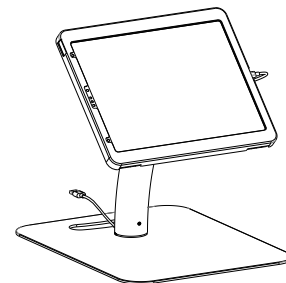
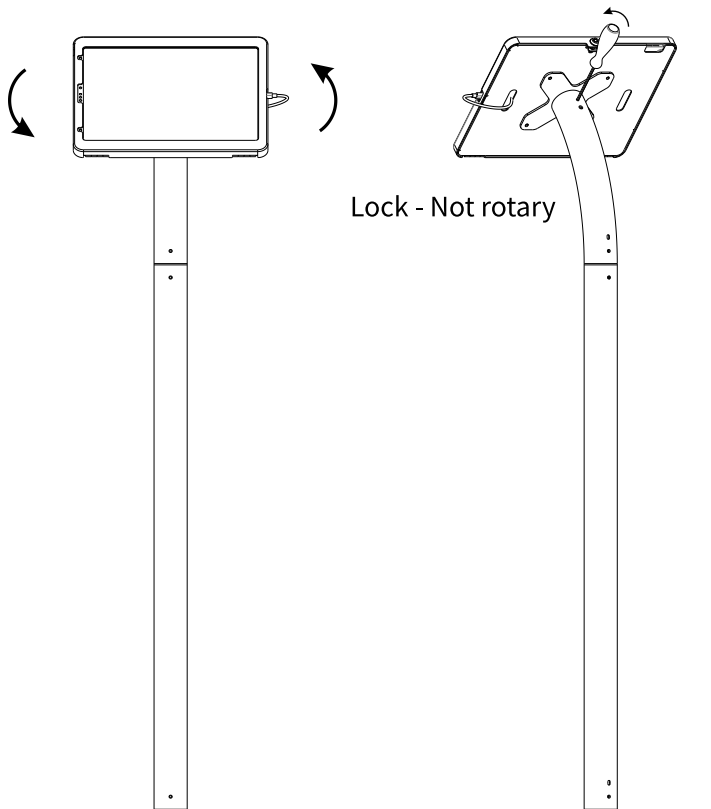
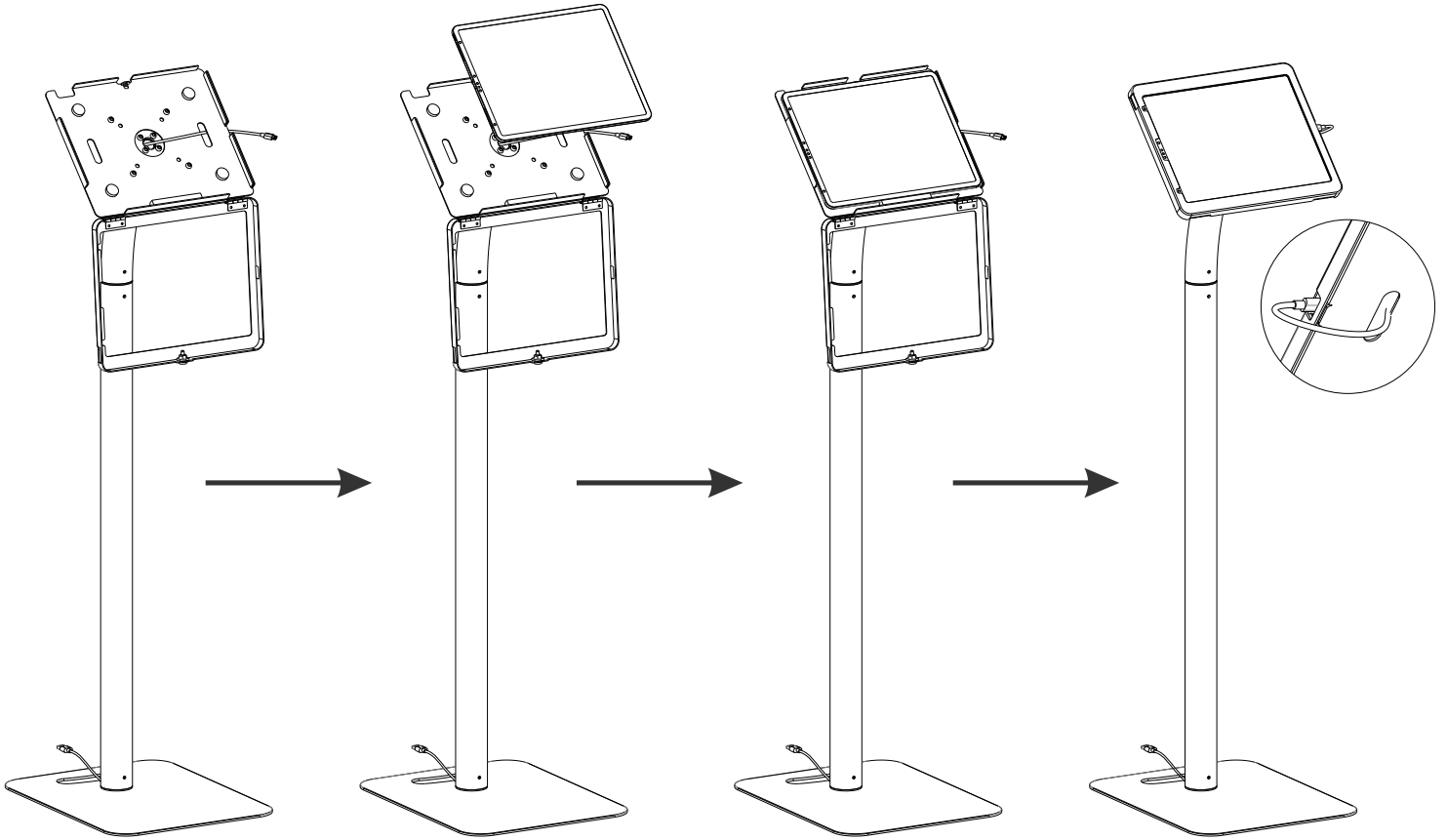
ASSEMBLY INSTRUCTIONS

IPEVRPRO12 - Floor Standing Tablet Holder - iPad Pro 12.9"



ASSEMBLY INSTRUCTIONS

IPEVRPRO12 - Floor Standing Tablet Holder - iPad Pro 12.9"



If need table stand just remove the straight pole. Install the bended tube directly to base.

Scan QR code to visit the product page:



If you have any questions regarding our products, please visit us at www.displays2go.com or contact D2G customer service 844-221-3388.

Rev. 04/19

DISPLAYS2GO

2 of 2