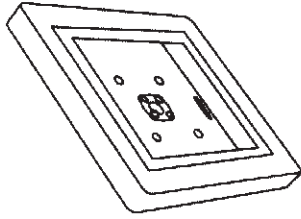


# User Manual

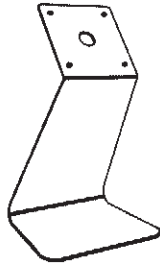
Thank you for ordering table tablet kiosk stand. Let's start setting it up!

## Parts you will find

● ABS enclosure case



● Aluminium Stand



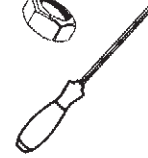
● Screw 12pcs



● Nut 4pcs



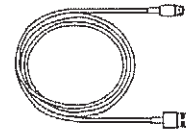
● Screwdriver



● 3M Sticker 4pcs

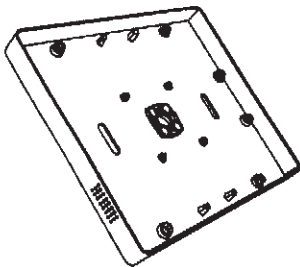


Before assembling please prepare the extension cable if you want power routing through stand. Cable not included

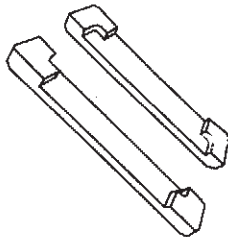


## Step1 Enclosure case disassemble

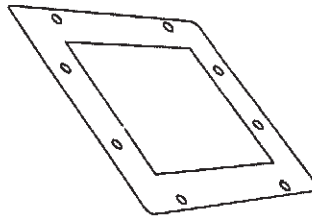
Unscrew the enclosure case, then the case is separated to 4 parts below.



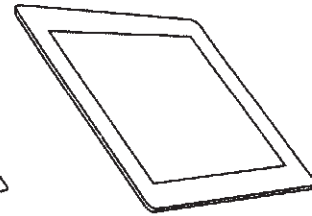
Base Case



Insert Foam

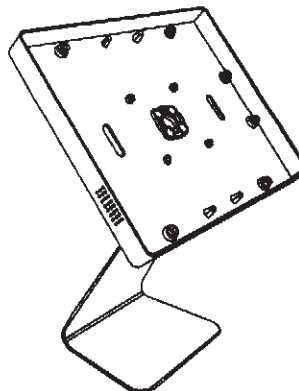
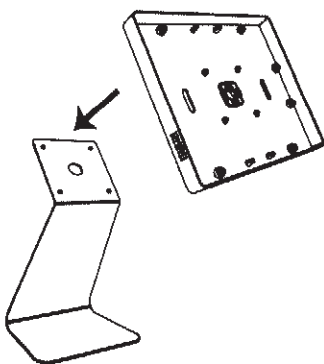


Black PVC sheet



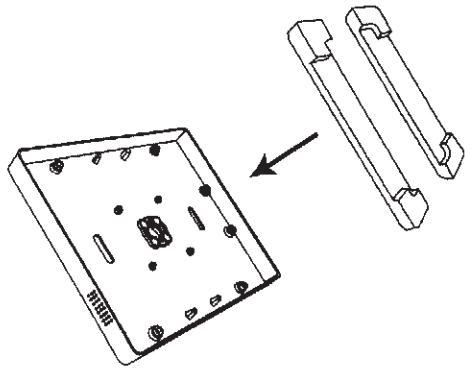
Cover

## Step2 Enclosure case Connection

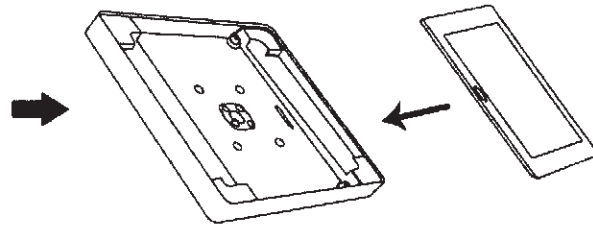


Fix the **Base case** to the **Aluminium stand** by 4 Screws and 4 Nuts  
Please double check every screw is tightly screwed in place.

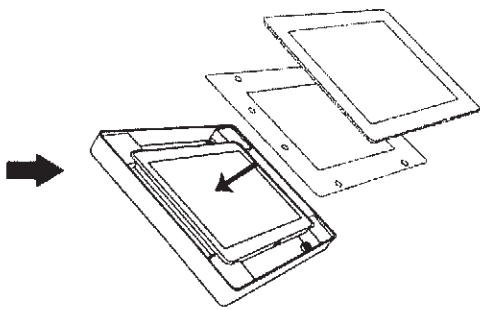
### Step3 Install your Tablet Device



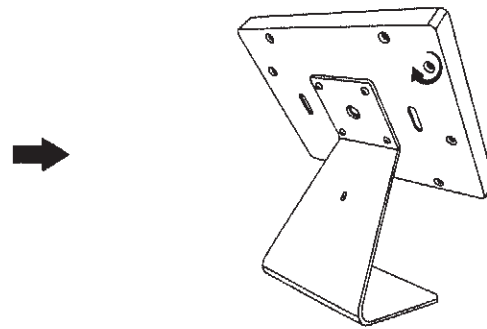
Add Insert foam



Add Tablet PC



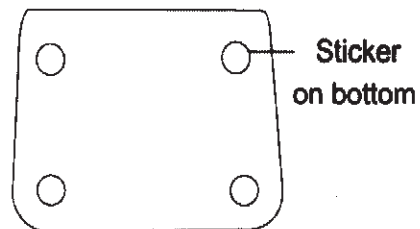
Add **Black PVC sheet** and **Cover**



Clockwise tightening with 8pcs **screws**



Install Complete



If want the base fix on table, you can add the 3M sticker on the bottom of stand.

### Kensington Security Slot

A Kensington Security Slot can be found on the stand.

A Universal Computer Security Cable can be attached to this slot to add an extra theft deterrent.

