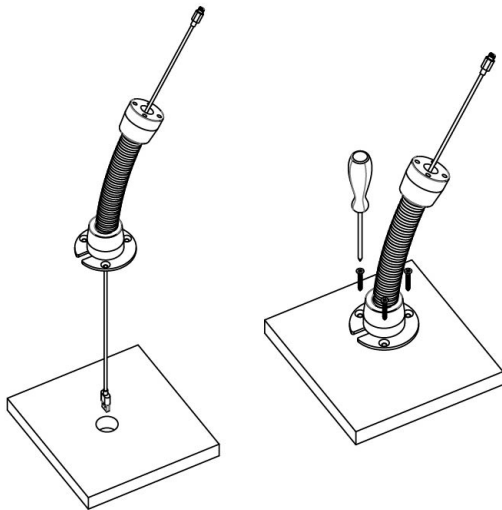
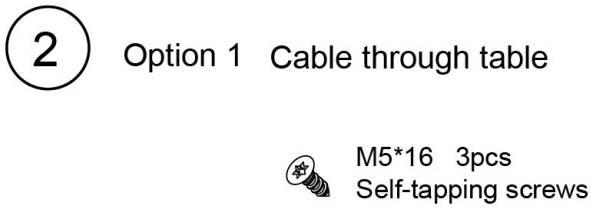
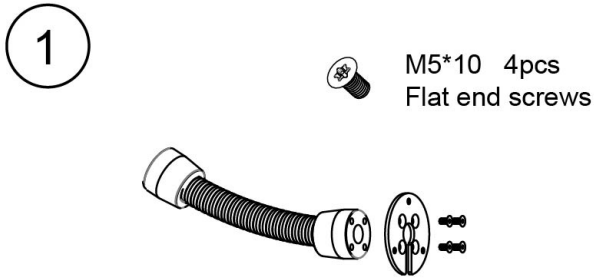
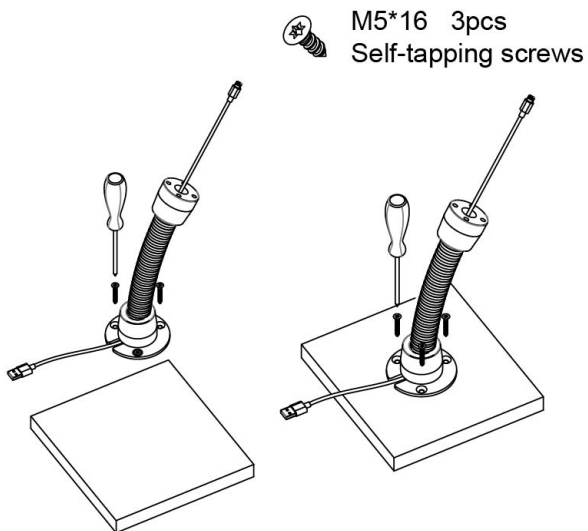


Installation Manual

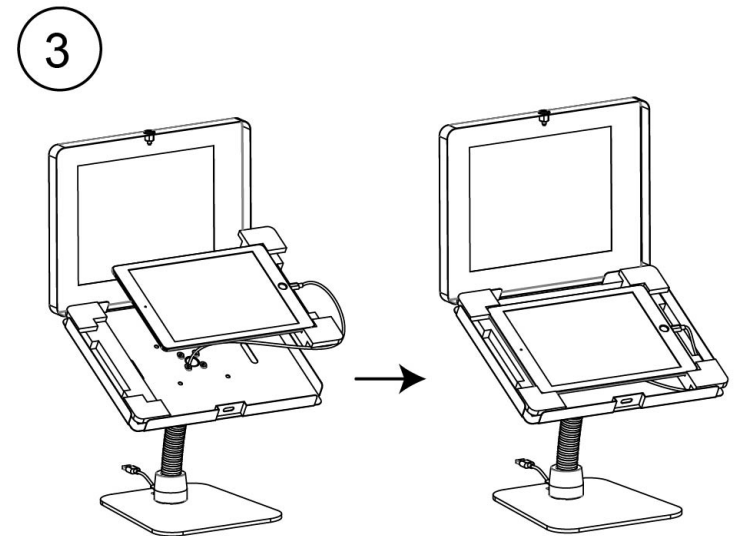
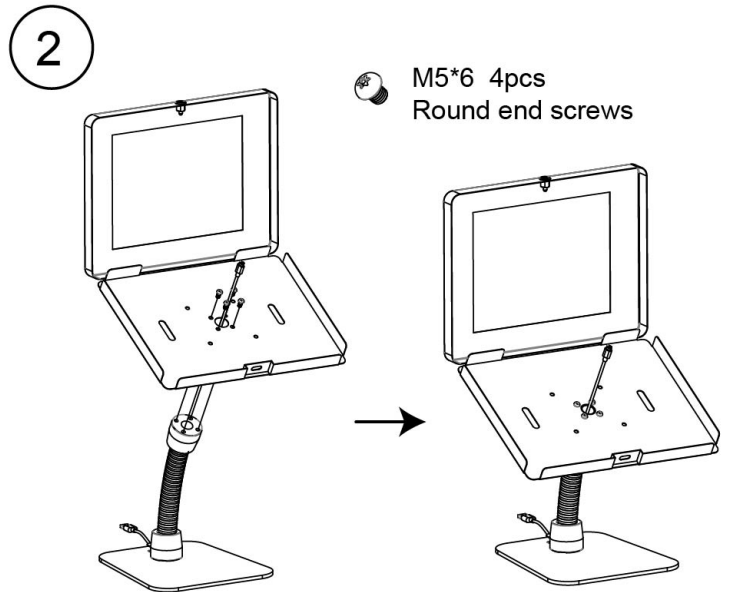
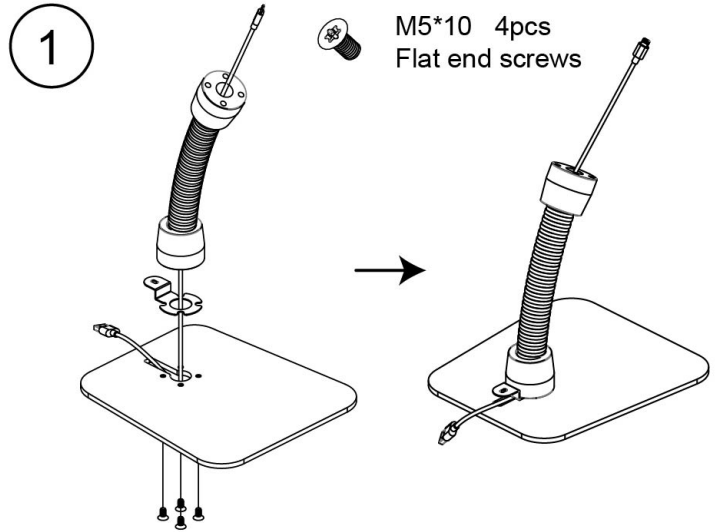
Fix directly on tabletop



Option 2 Cable above table

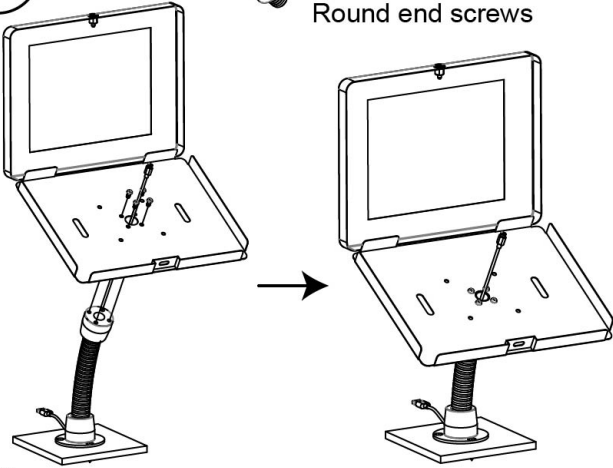


Use with base plate

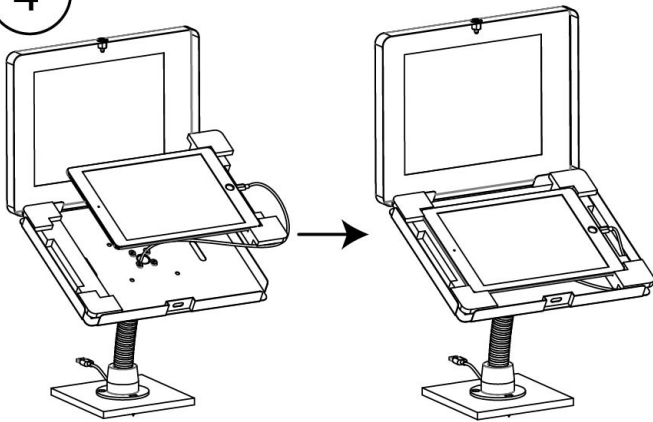


3

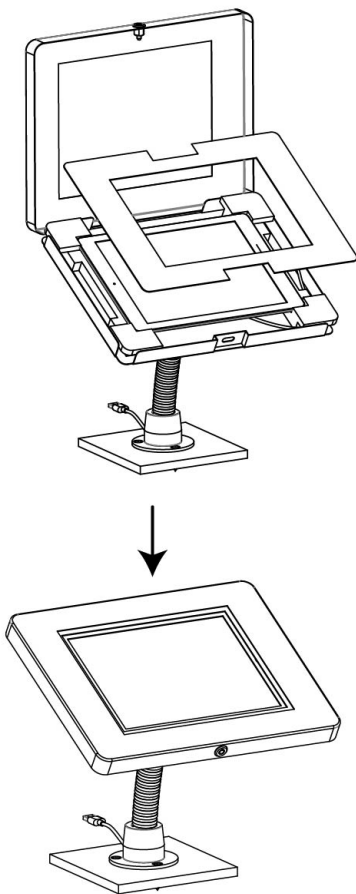
M5*6 4pcs
Round end screws



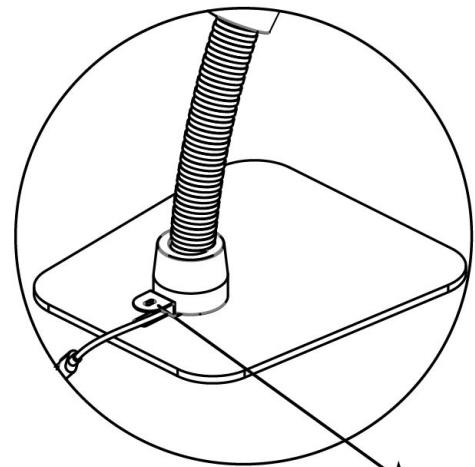
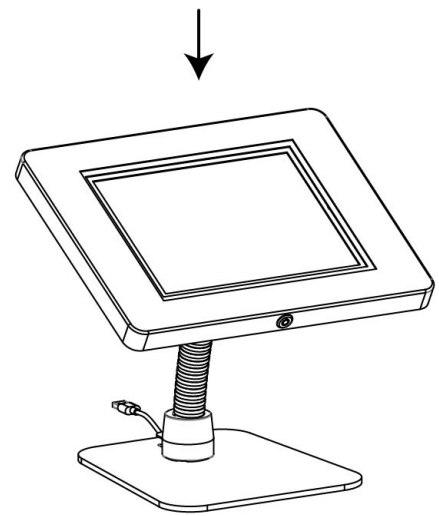
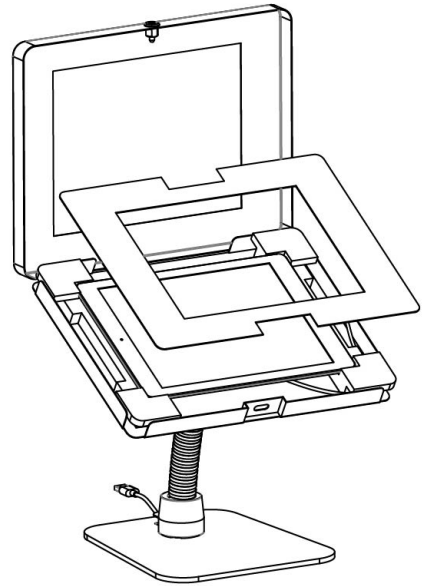
4



5



4



Kensington Slot

Add kensington cable lock if feel necessary.
(Cable lock not included)