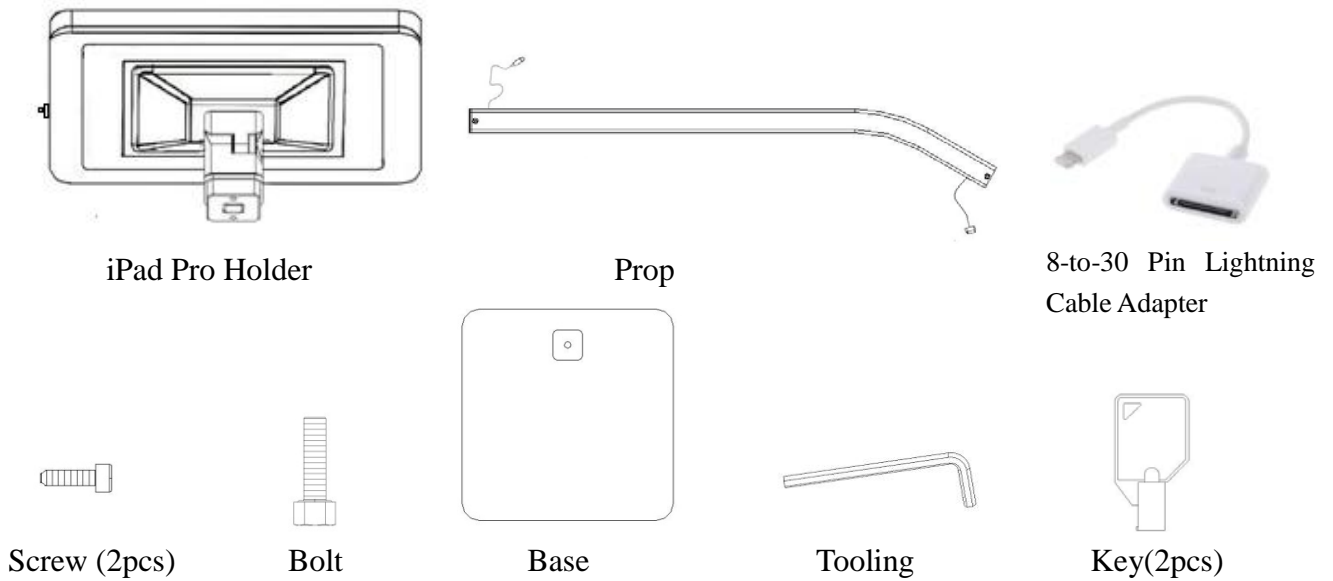


INSTRUCTION MANUAL

※Product Name: 12.9” iPad Pro stand-Floor Model with charging cable (30 pin)

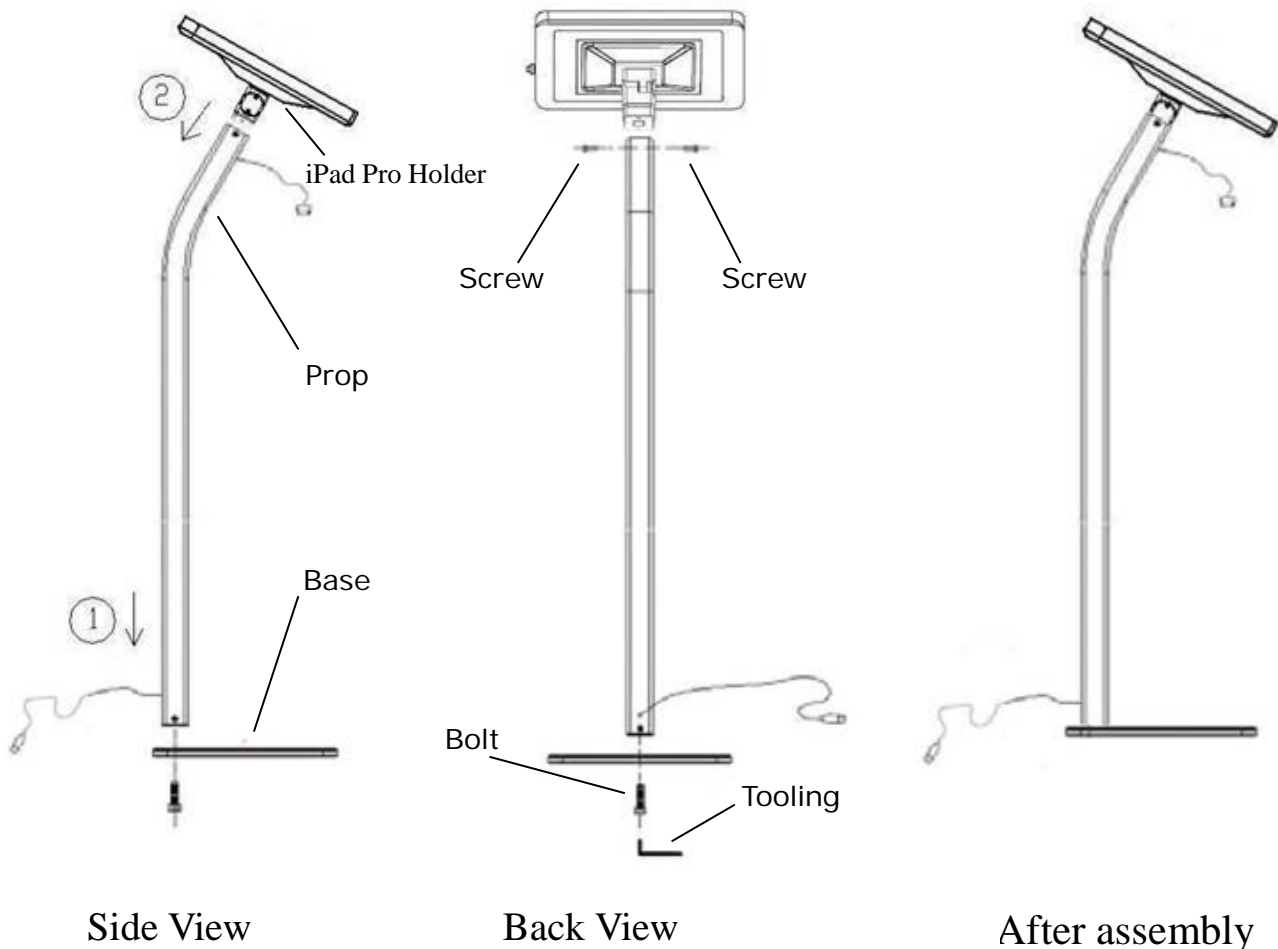
※Product Number: IPPROYIDS (IPPROYIDB)

◆Check each part of the stand Bracket in package:



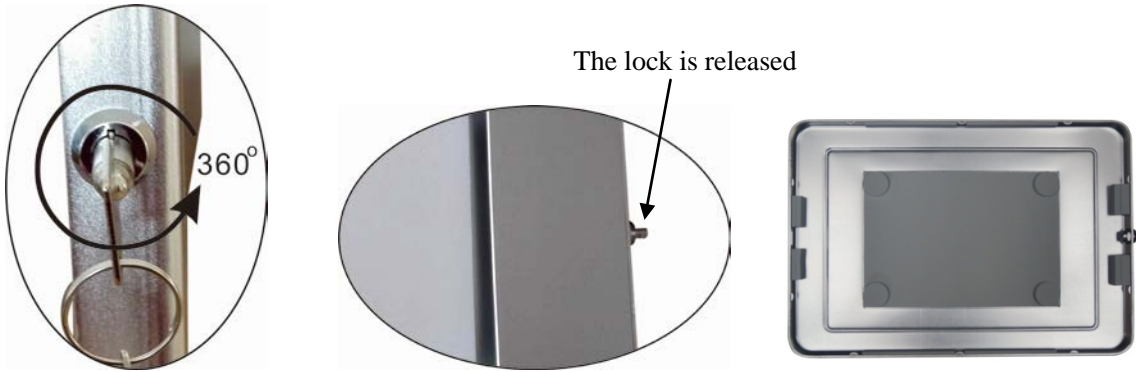
◆Assemble the stand Bracket:

1. As below shows, assemble the prop onto the base and then use the bolt connect them, tighten the bolt by using the attached tooling.
2. As below shows, assemble the iPad Pro holder into the prop and then using a Phillips screwdriver, fasten the holder to the prop with two screws.
3. Assembled stand as below shows

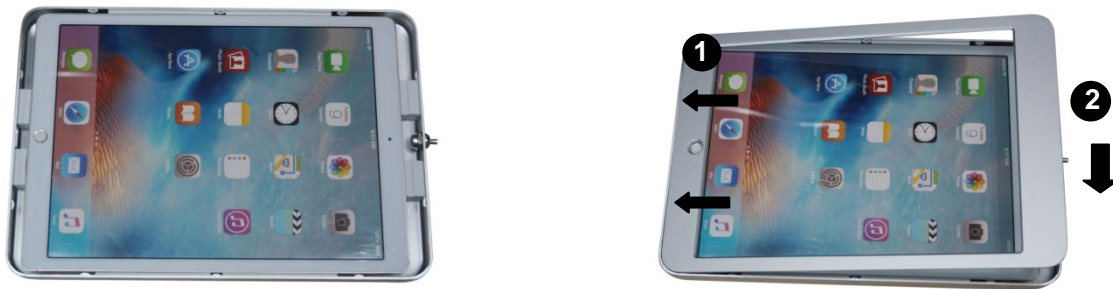


◆To use the stand Bracket:

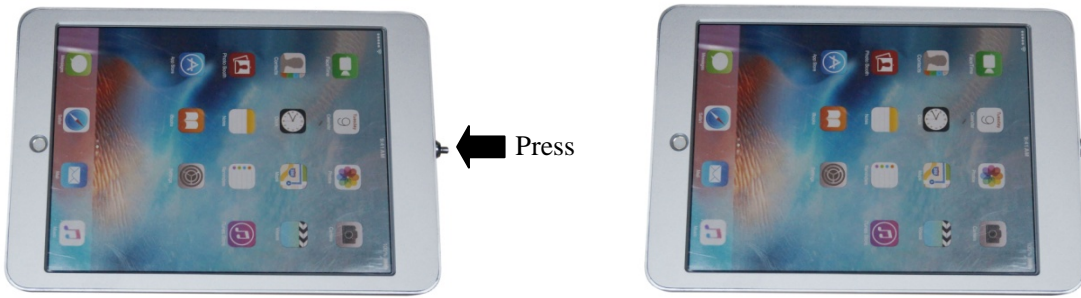
1. Insert the key and turn it 360° to release the lock, and then remove the cover.



2. Let the case on horizontal position and then put the iPad Pro into the case, at last install the cover.



3. Press the button of lock after installing the cover, and then adjust the angle you need by bending the connecting part.



To charge the iPad Pro, you can use the accessory 8-to-30 pin Lightning Cable Adapter.



△Warning: Please DO NOT let child under 8 years old use this prop alone to avoid danger from topple over due to improper operation.

Made in China