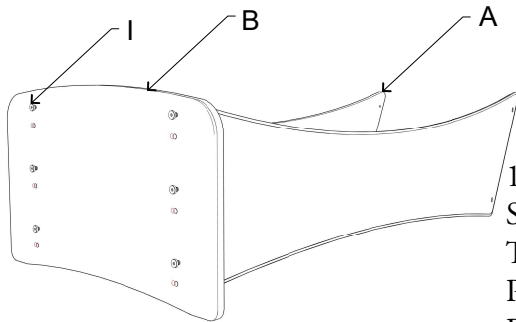


ASSEMBLY INSTRUCTIONS

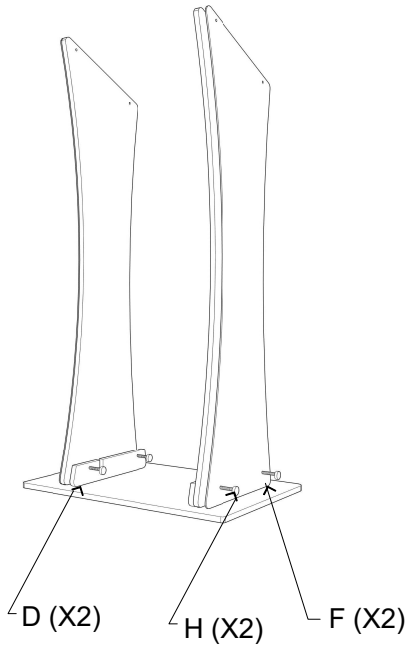
KDUVLEC

1.



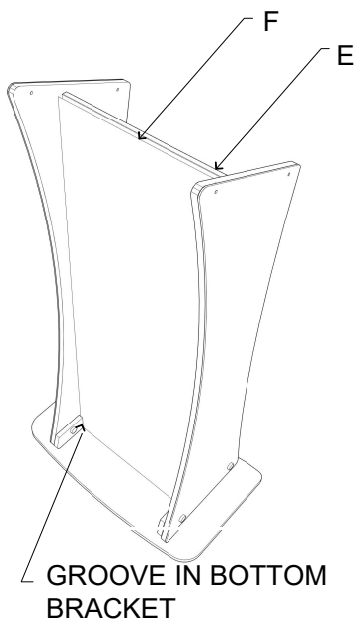
1.) USING BOLTS (I), SCREW 3/8" SIDES (A) TO BASE (B). BE SURE TO HAVE MATTE SIDE OF PANELS FACING OUT. STAND BASE AND SIDES UP.

2.



2. ATTACH BOTTOM BRACKETS (D) AND 1/8" SIDES (F) USING CAPS AND ROD (H).

3.



3.) SLIDE 1/8" PANEL AND 3/8" PANEL INTO BRACKETS, 1/8" PANEL IN FRONT OF 3/8" PANEL. IF YOU HAVE ARTWORK, SLIDE ARTWORK BETWEEN PANELS.

KEY

- A 3/8" SIDE
- B BOTTOM
- C TOP/ TOP BRACKETS
- D BOTTOM BRACKETS
- E 3/8" FRONT
- F 1/8" SIDE BLACK
- G 1/8" FRONT
- H CAPS AND ROD
- I BOLT

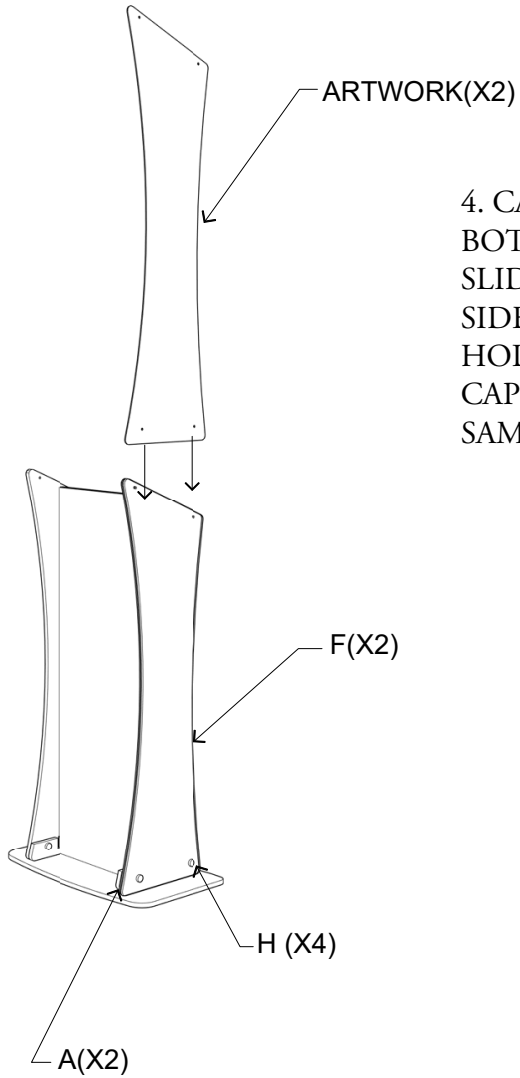
TOOLS NEEDED:

PHILLIPS SCREWDRIVER

ASSEMBLY INSTRUCTIONS

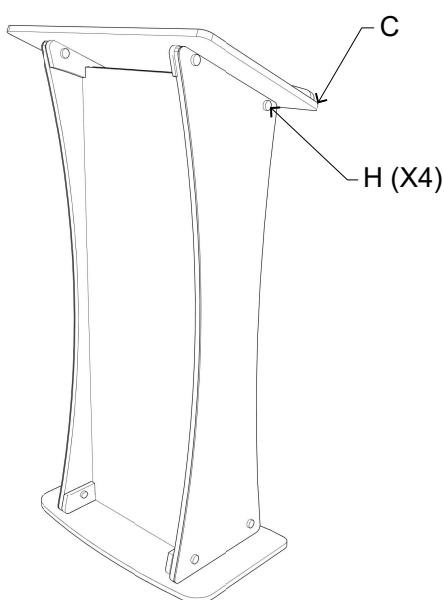
KDUVLEC

4.



4. CAREFULLY UNSCREW
BOTTOM CAPS AND RODS (H).
SLIDE ARTWORK BETWEEN
SIDE PANELS, ALIGNING
HOLES. SCREW IN BOTTOM
CAPS AND RODS, AND REPEAT
SAME STEPS TO OTHER SIDE.

5.



5. ATTACH TOP AND
BRACKETS (C) USING CAPS
AND RODS (H). ALIGN
NOTCHES IN TOP BRACKET
WITH THE FRONT PANELS.