
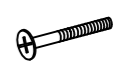

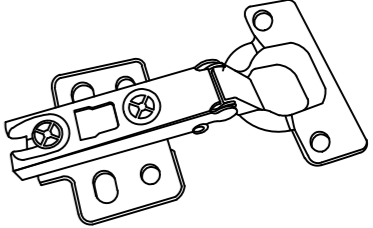

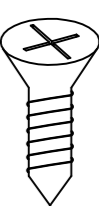


# TRASH RECEPTACLE

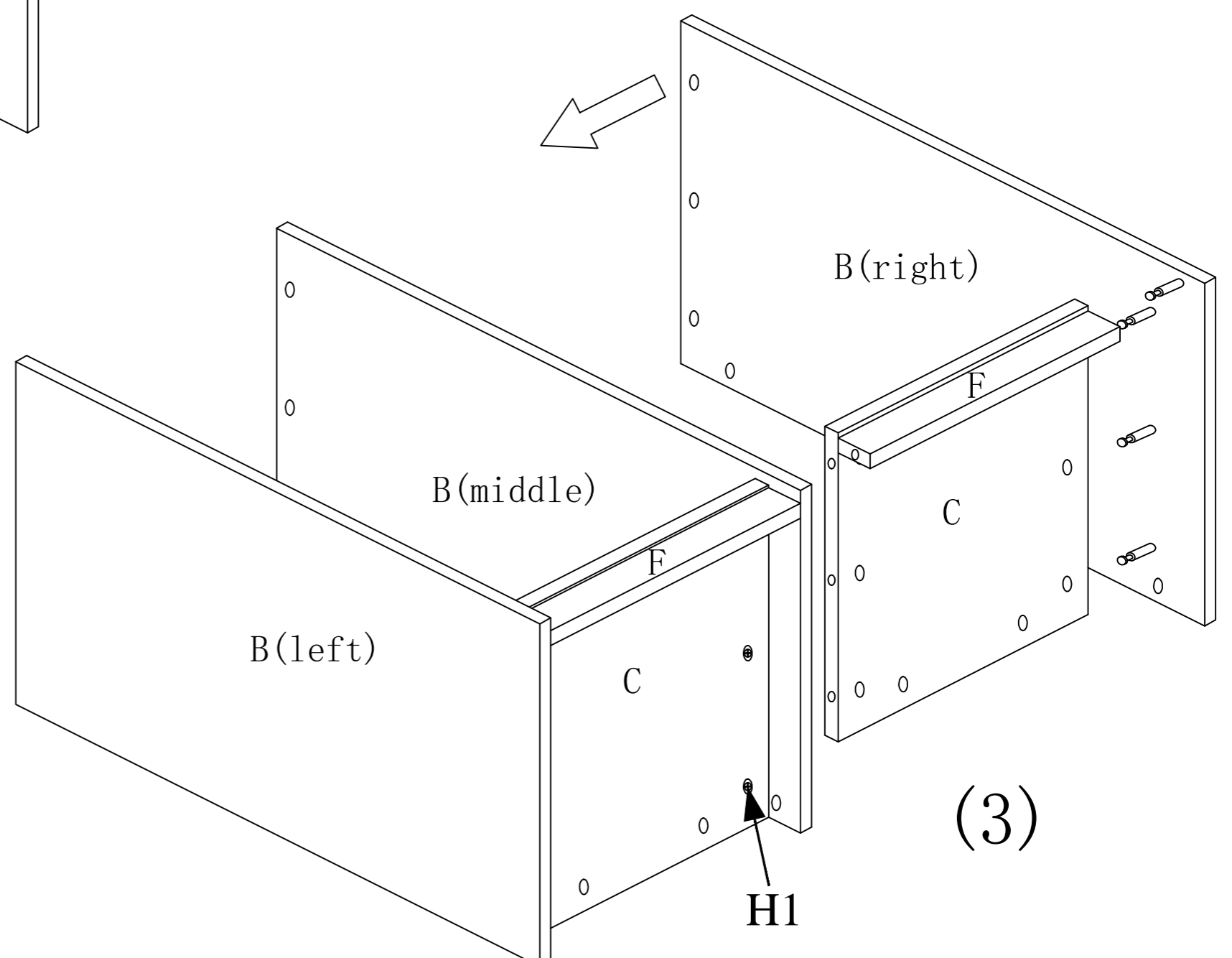
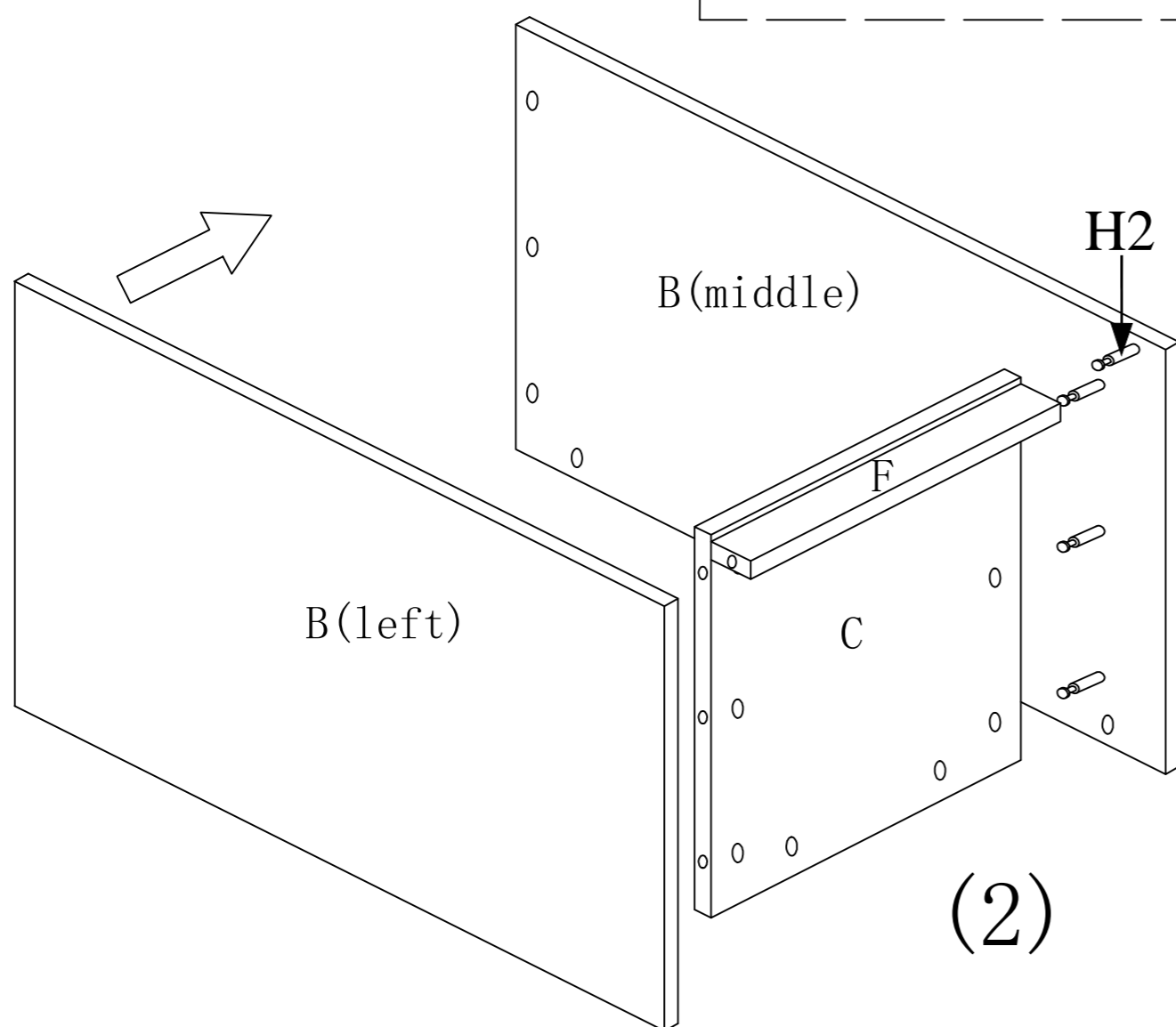
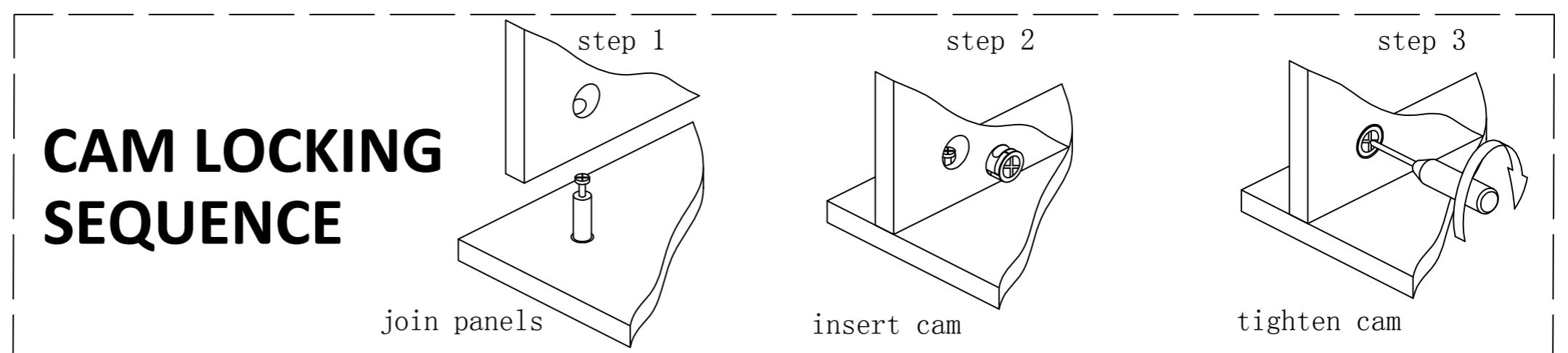
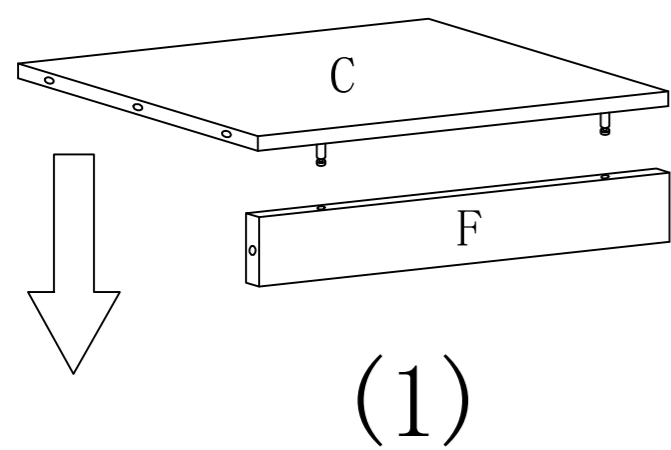
(Recycling unit)

M8530-5

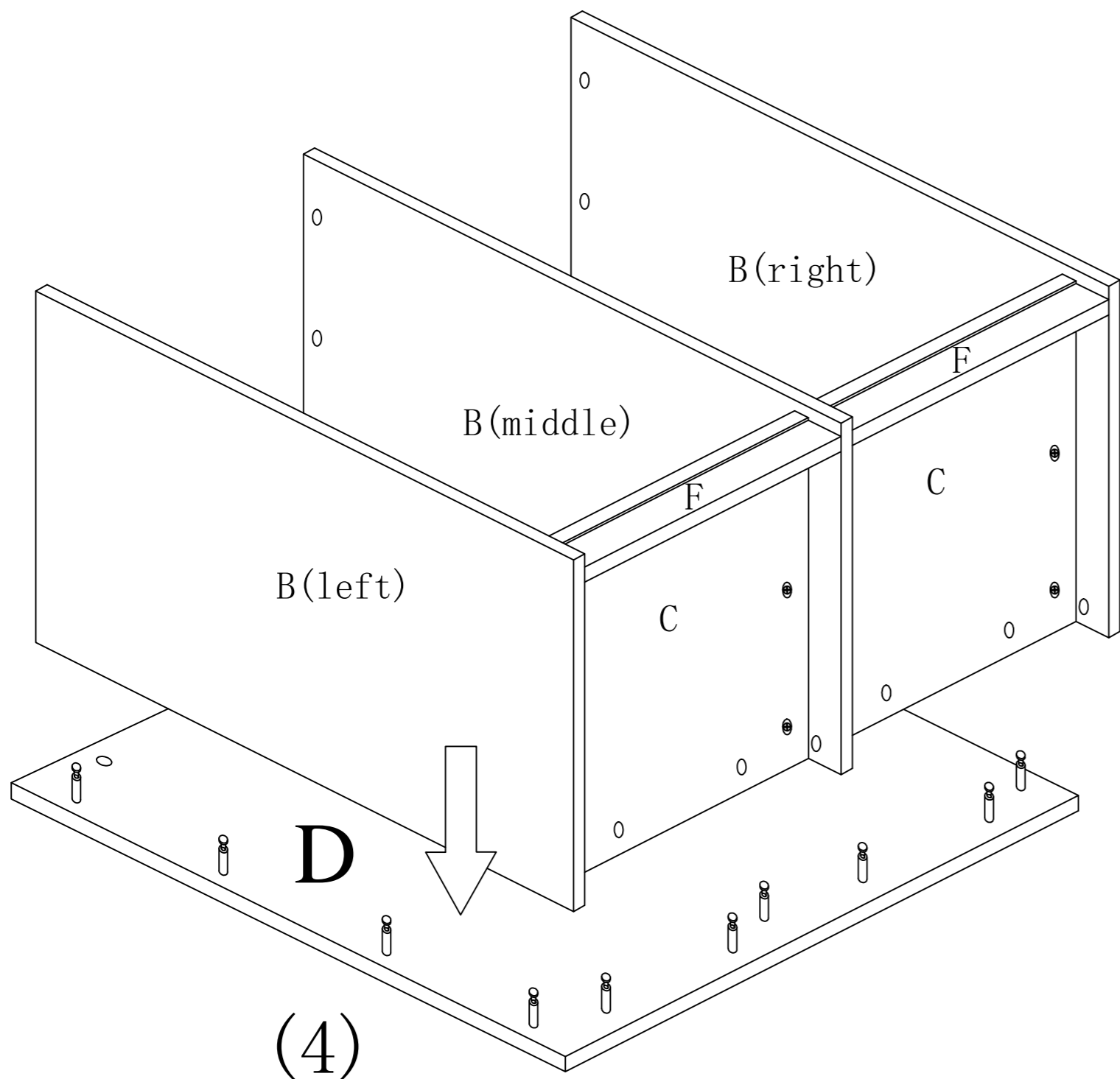
Assembly Instructions

PARTS			HARDWARE BAG							
A	Top Panel	1 pc	H1	Cam Lock	49 pcs		H4	Handle Screw	4 pcs	
B	Side Panel	3 pcs								
C	Bottom Panel	2 pcs	H2	Cam Post	49 pcs		H5	Hinge	2 sets	
D	Back Panel	1 pc								
F	Toe Kick Panel	2 pcs	H3	Handle	2 pc		H6	Wood Screw	24 pcs	
G	Door	2 pcs								

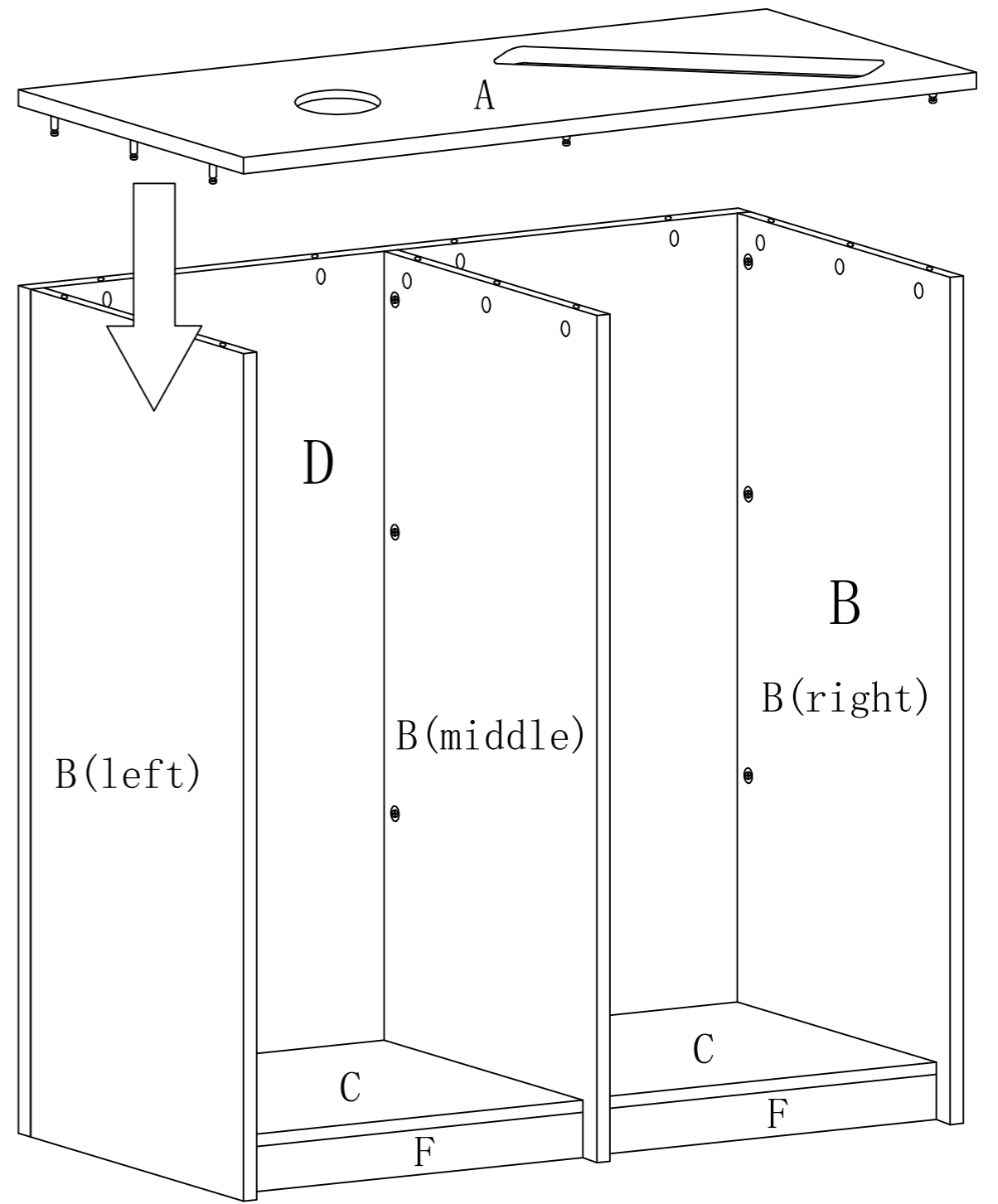
Attention: Before you start assembling your trash receptacle; please prepare a soft surface work area on the floor. The only tool you will need is a screwdriver. Carefully remove all hardware from packaging and place the hardware parts on the soft work area where they will not come in contact with the laminated wood components. To avoid damage to the laminated wood surfaces, keep hardware parts separated until they are needed for assembly.



From Step 2 to 4, please use horizontal installation method to avoid any possible damage.

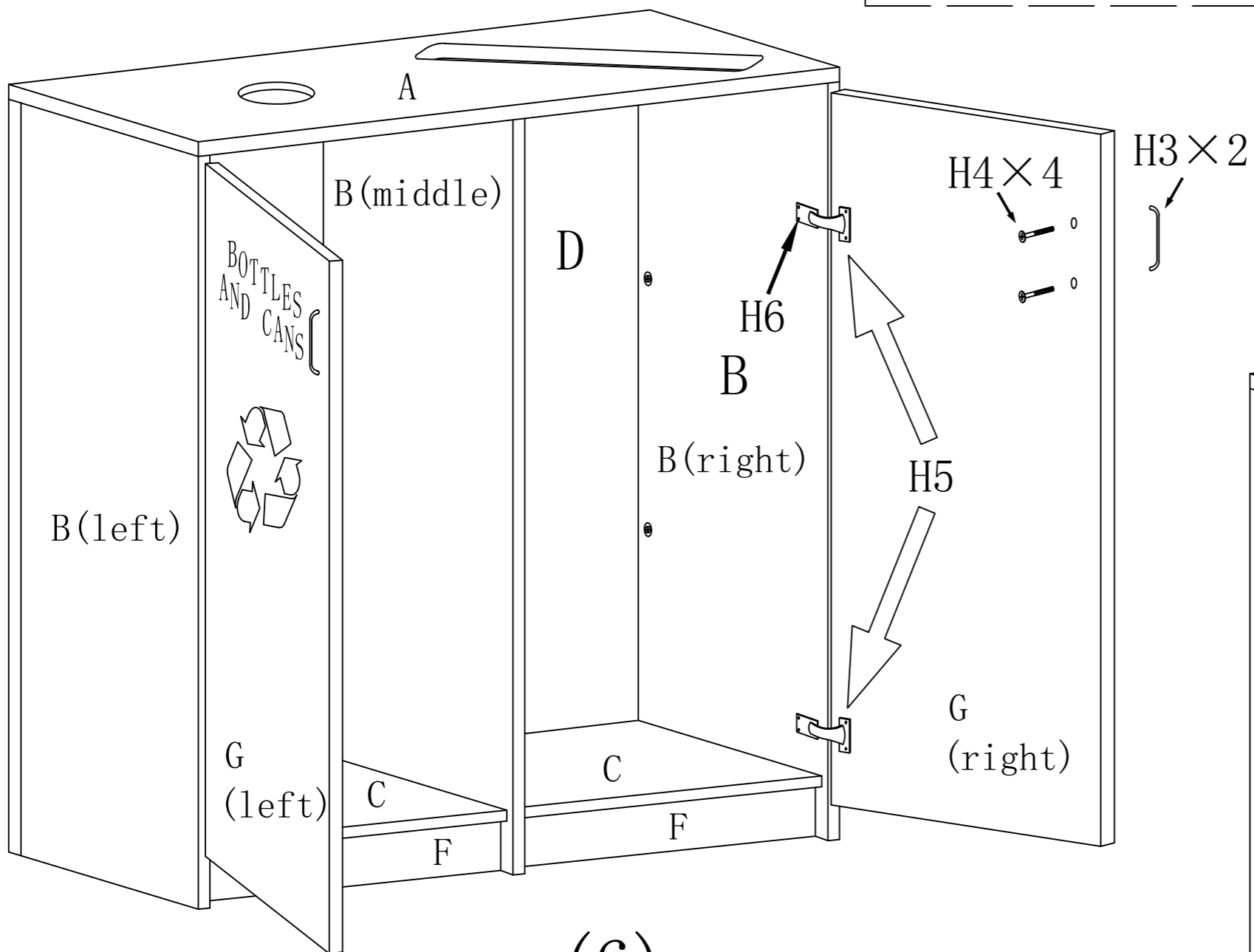
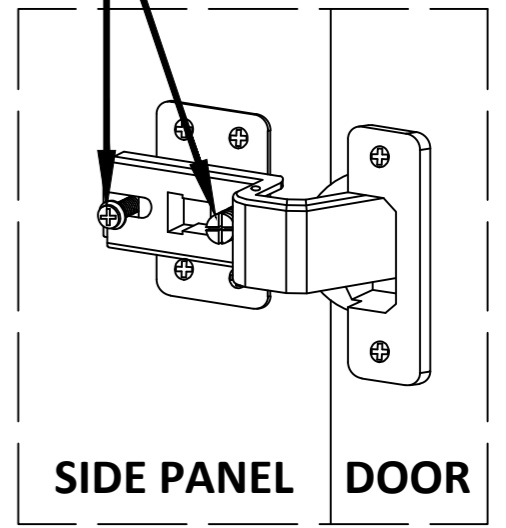
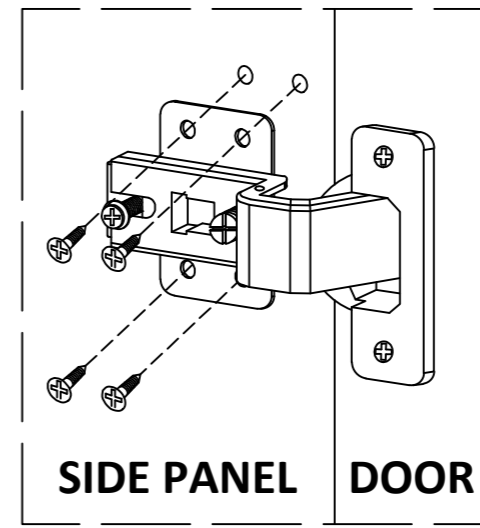
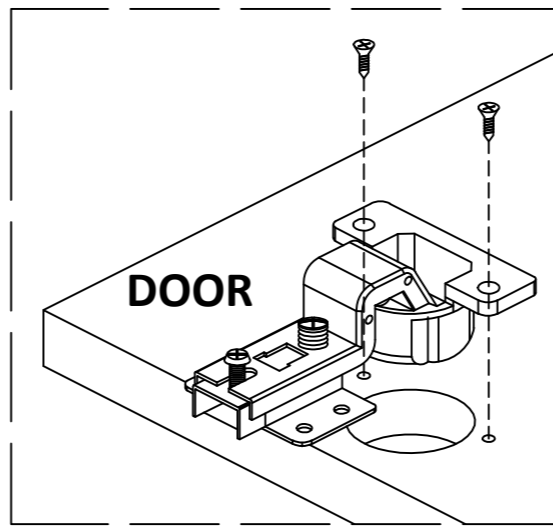


(4)



(5)

**HOW TO ADJUST DOOR: loosen screws and adjust door and re-tighten.**



(6)

