
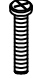



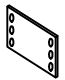
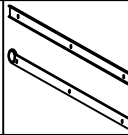
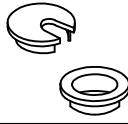



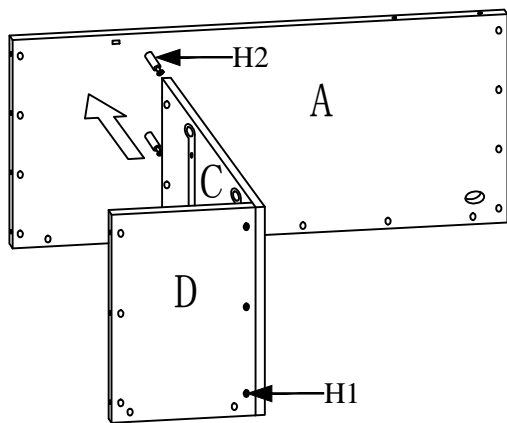
# RECEPTION DESK

(with 4 drawers, one locking drawer per side)

## Assembly Instructions

PANELS			HARDWARE BAG							
A、H	Top Panel	1 each	H1	Cam Lock	133 pcs		H6	Drawer Handle Screw	8 pcs	
B	Left Side Panel	1 pc								
C、I	Drawer Side Panel	1 each	H2	Cam Post	133 pcs		H7	Lock	2 sets	
D、J	Drawer Bottom Panel	1 each								
E、L	Right Side Panel	1 each	H3	Wood Screw	58 pcs		H8	Ganging bracket	3 pcs	
F、K	Back Panel	1 each								
G	Arc Panel	1 pc	H4	Drawer Slide	4 pairs		H9	Grommet	1 set	
1 & 2	Left Drawer Panel	5 pcs each								
3 & 4	Right Drawer Panel	5 pcs each	H5	Drawer Handle	4 pcs					

Attention: 1) We pack this desk into 4 cartons, please put every panel in order carefully; 2) Before you start assembling; please prepare a soft surface work area on the floor. The only tool you need is a screwdriver. Carefully remove all hardware from packaging and place the hardware parts on the soft work area where they will not come in contact with the laminated wood components. To avoid damage to the laminated wood surfaces, keep hardware parts separated until they are needed for assembly.

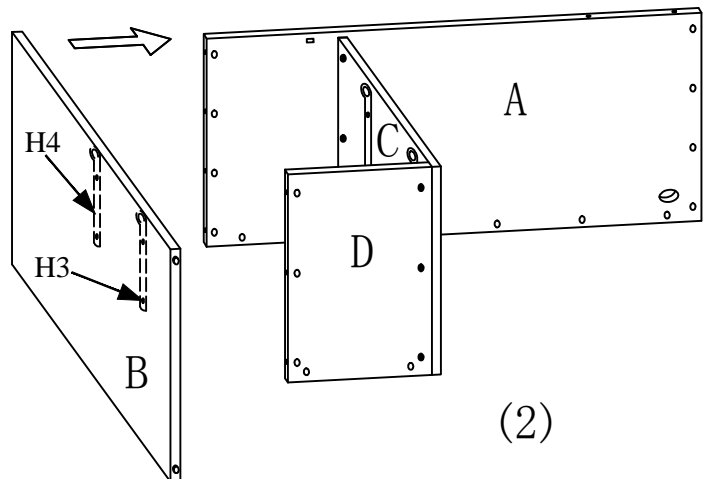


(1)

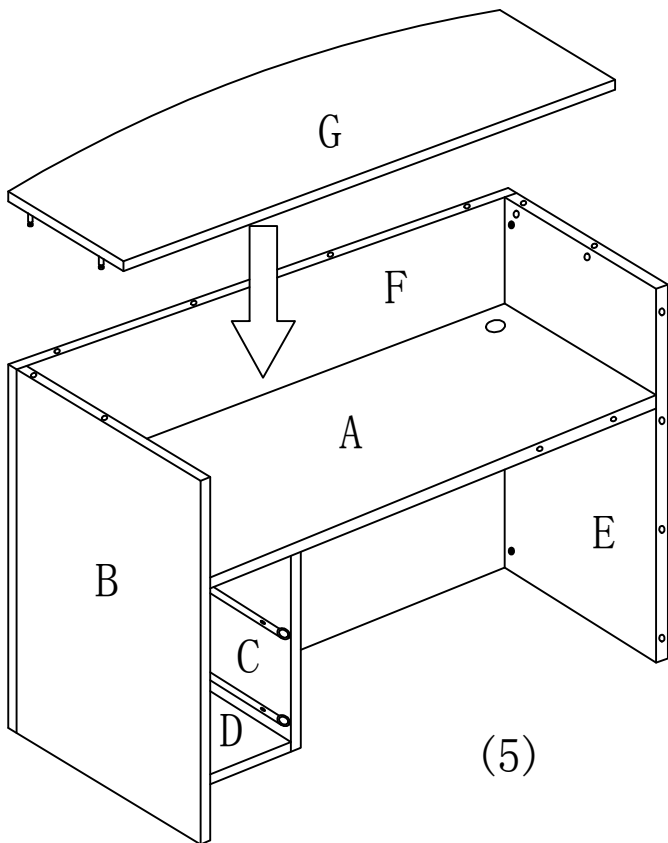
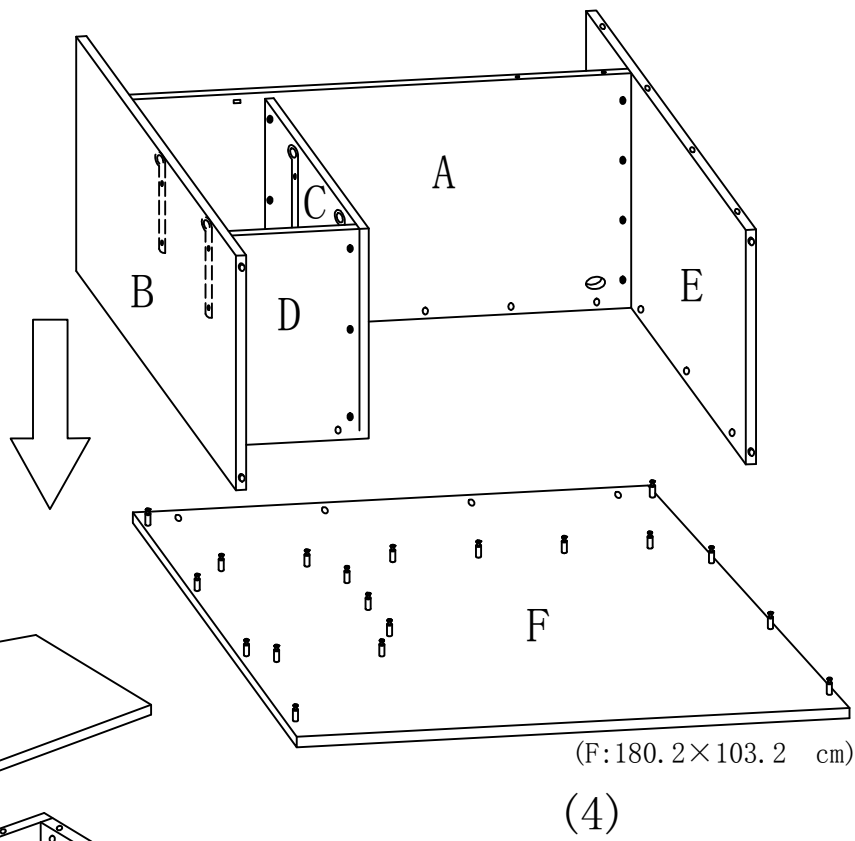
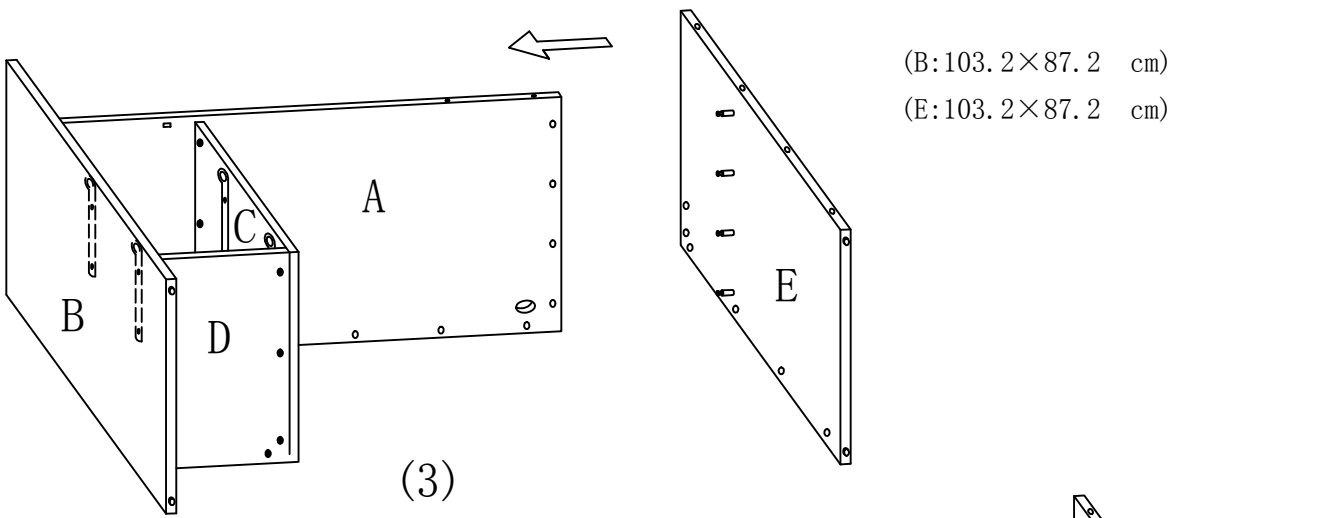
(A: 176.4 × 87.2 cm)

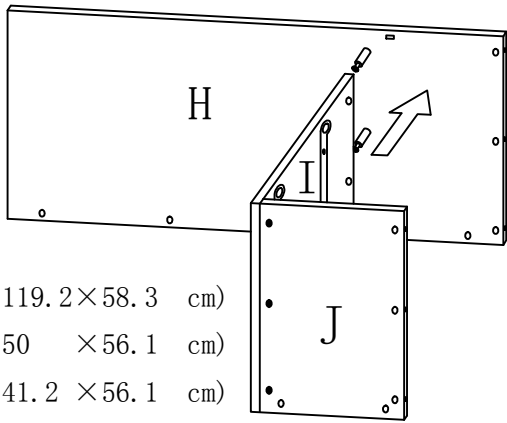
(C: 50 × 85 cm)

(D: 41.2 × 85 cm)



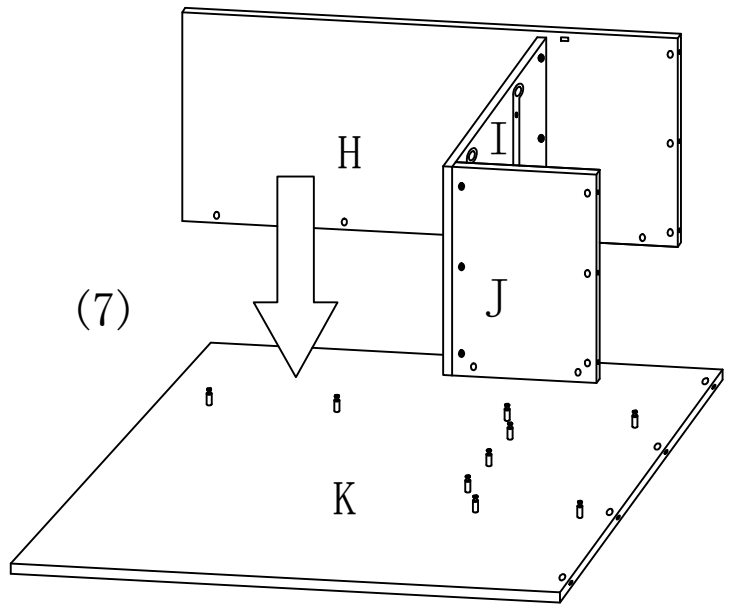
(2)



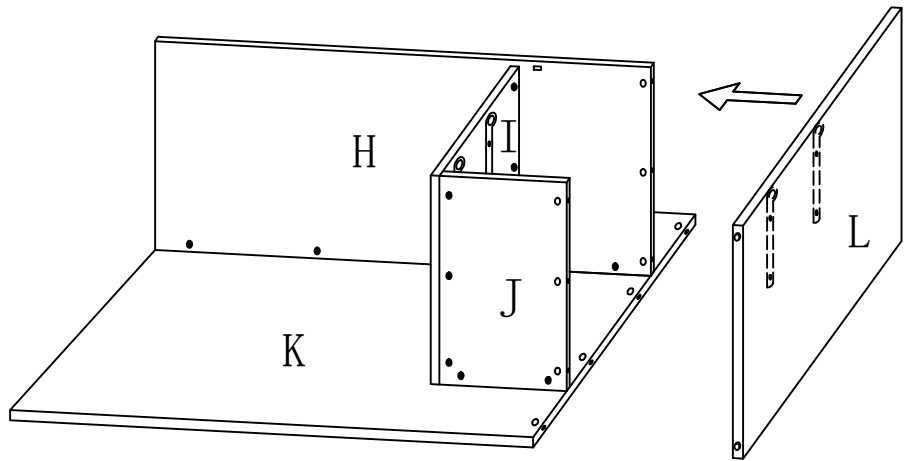


(H: 119.2 × 58.3 cm)  
 (I: 50 × 56.1 cm)  
 (J: 41.2 × 56.1 cm)

(6)

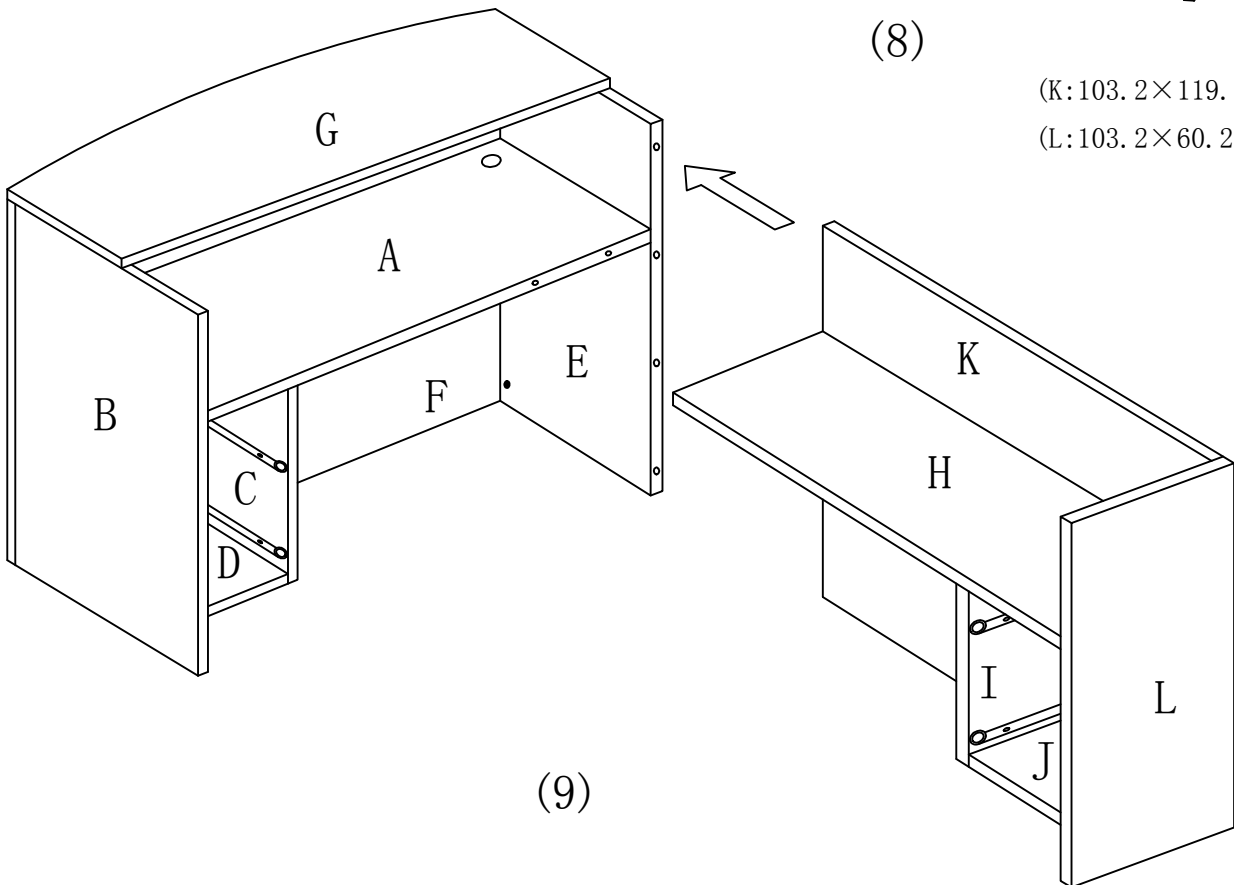


(7)



(8)

(K: 103.2 × 119.2 cm)  
 (L: 103.2 × 60.2 cm)



(9)

