
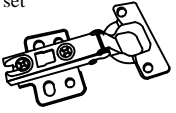




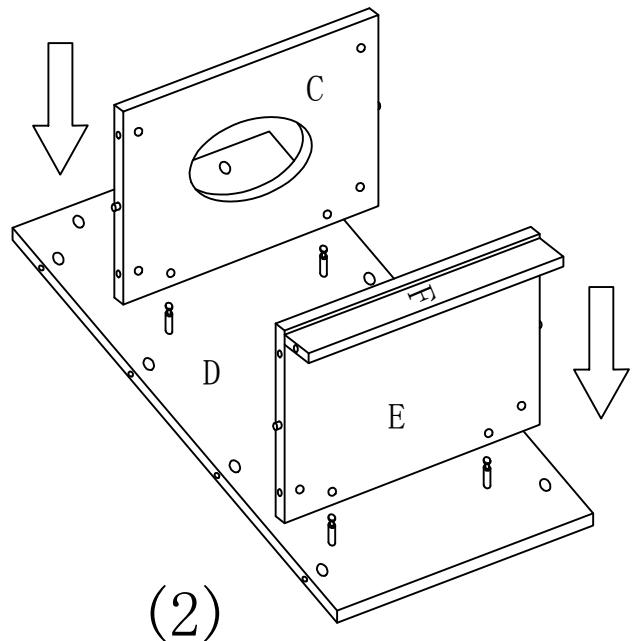
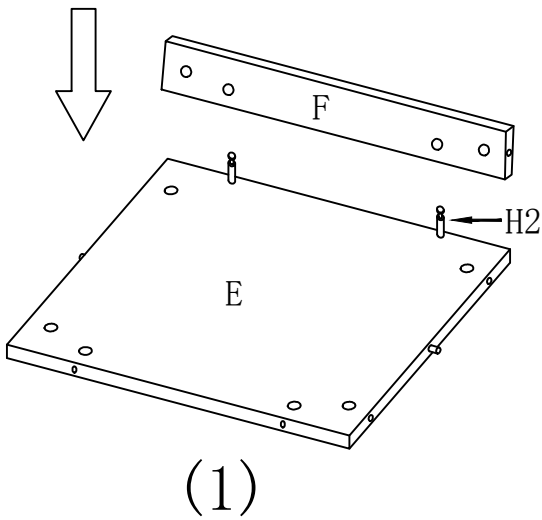


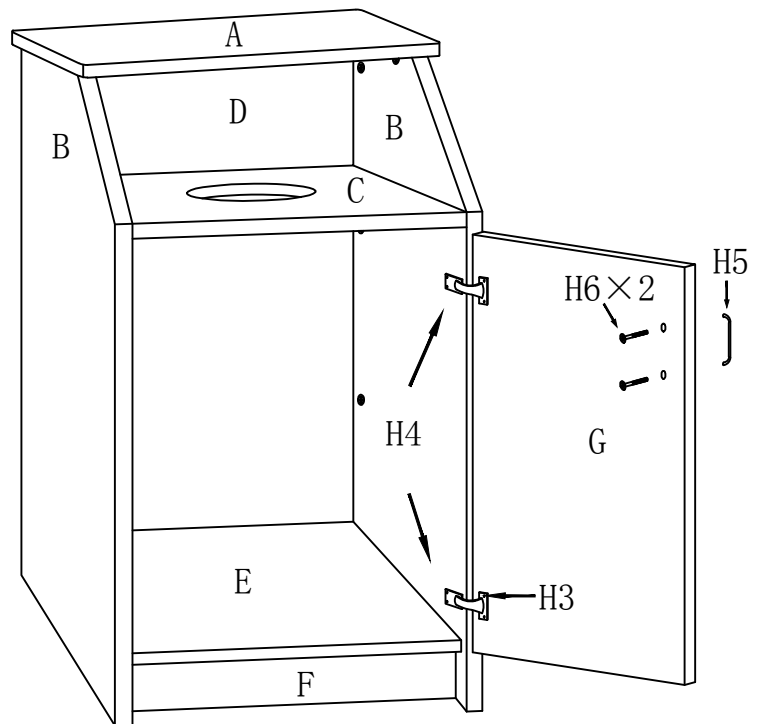
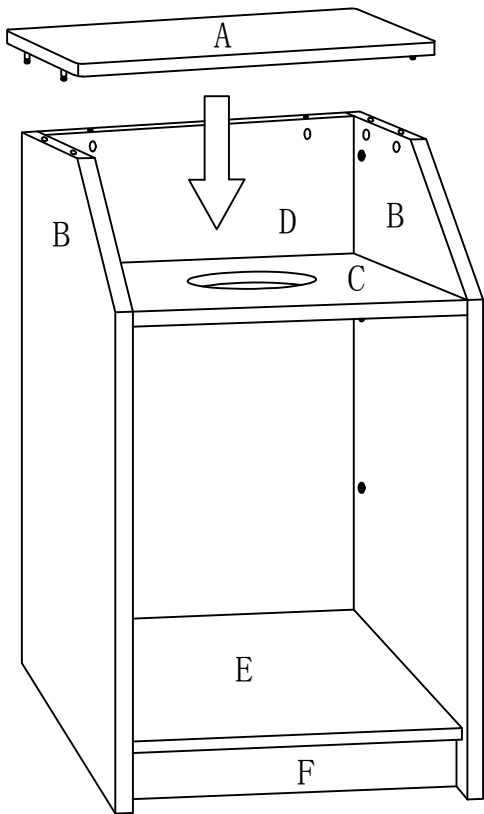
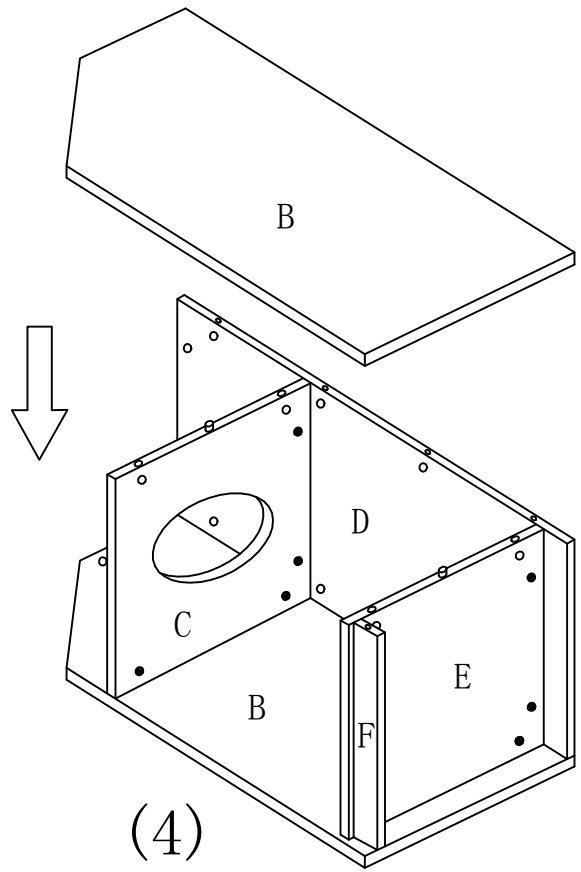
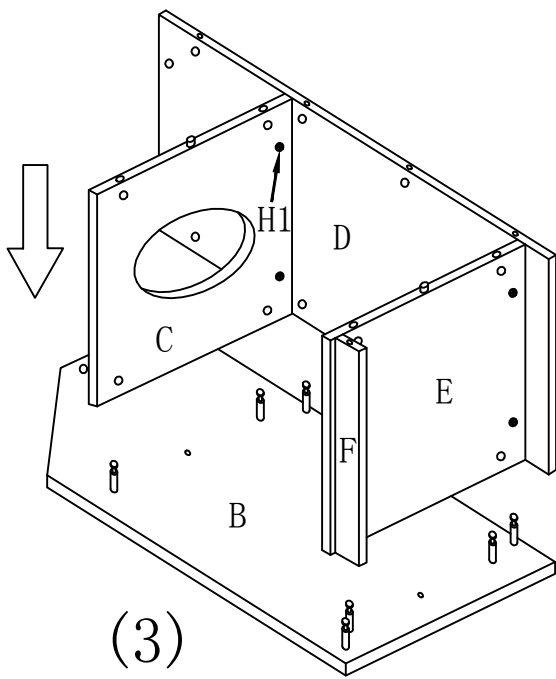
# TRASH RECEPTACLE

## Assembly Instructions

PARTS			HARDWARE BAG								
A	Top Panel	1 pc	H1	Cam Lock	30 pcs		H4	Hinge	1 set 		
B	Side Panel	2 pcs									
C	Middle Panel	1 pc	H2	Cam Post	30 pcs		H5	Handle	1 pc	} 	
D	Back Panel	1 pc									
E	Bottom Panel	1 pc	H3	Wood Screw	12 pcs		H6	Handle Screw	2 pcs	} 	
F	Toe Kick Panel	1 pc									
G	Door	1 pc									

Attention: Before you start assembling your trash receptacle; please prepare a soft surface work area on the floor. The only tool you will need is a screwdriver. Carefully remove all hardware from packaging and place the hardware parts on the soft work area where they will not come in contact with the laminated wood components. To avoid damage to the laminated wood surfaces, keep hardware parts separated until they are needed for assembly.





(6)