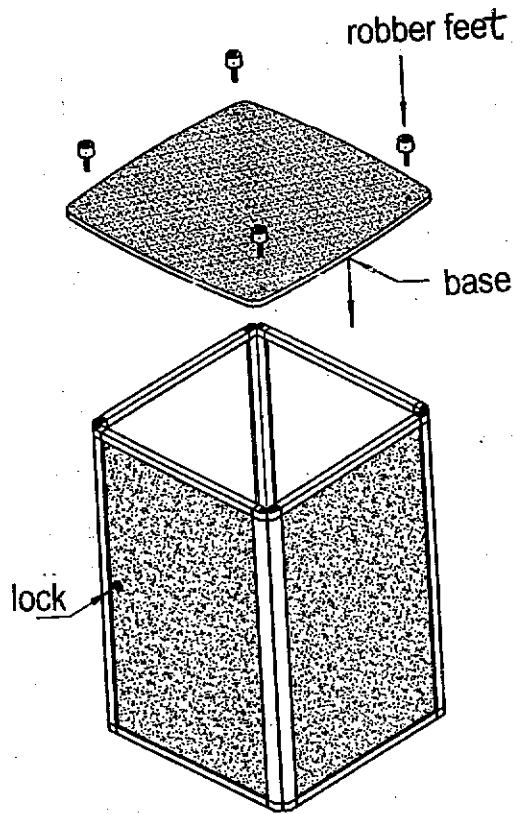
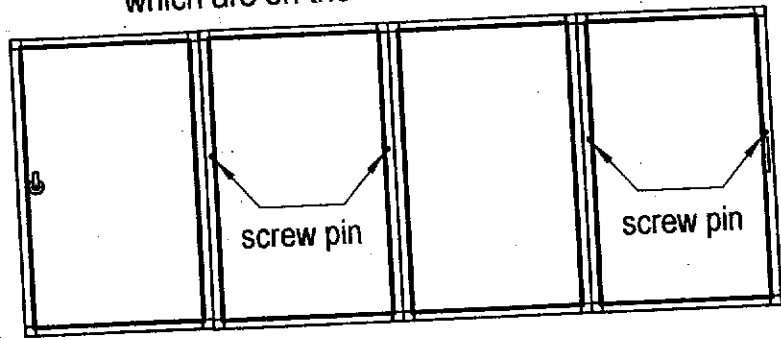


Step 1: Unfold the 4-panel and screw (4) pins into the small holds which are on the white side.



Step 2: Assemble base and (4) rubber feet. Make sure the lock is on your left side.

Step 3: Turn over the unit and then go on assembling the middle board, (4) aluminum connectors and top board by screwing the (4) connectors.

