

LCTKD Assembly Instructions

SHEET 1 OF 2

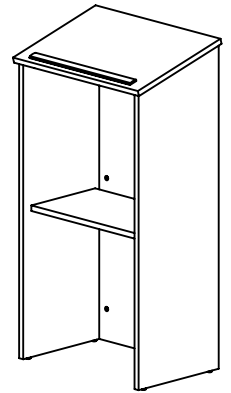
Before beginning the assembly, lay out all hardware & components and please make sure that all pieces listed on this instruction sheet are present and accounted for. Extra hardware is common.

Components:

- (1) Front Panel
- (2) Side Panels
- (1) Top Platform w/ Lip
- (1) Shelf

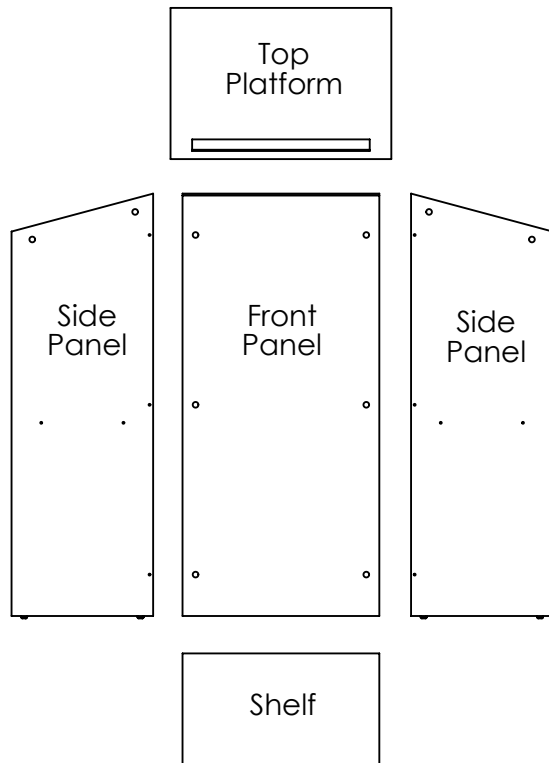
Hardware:

- Cam & Connecting Bolts (14 required)



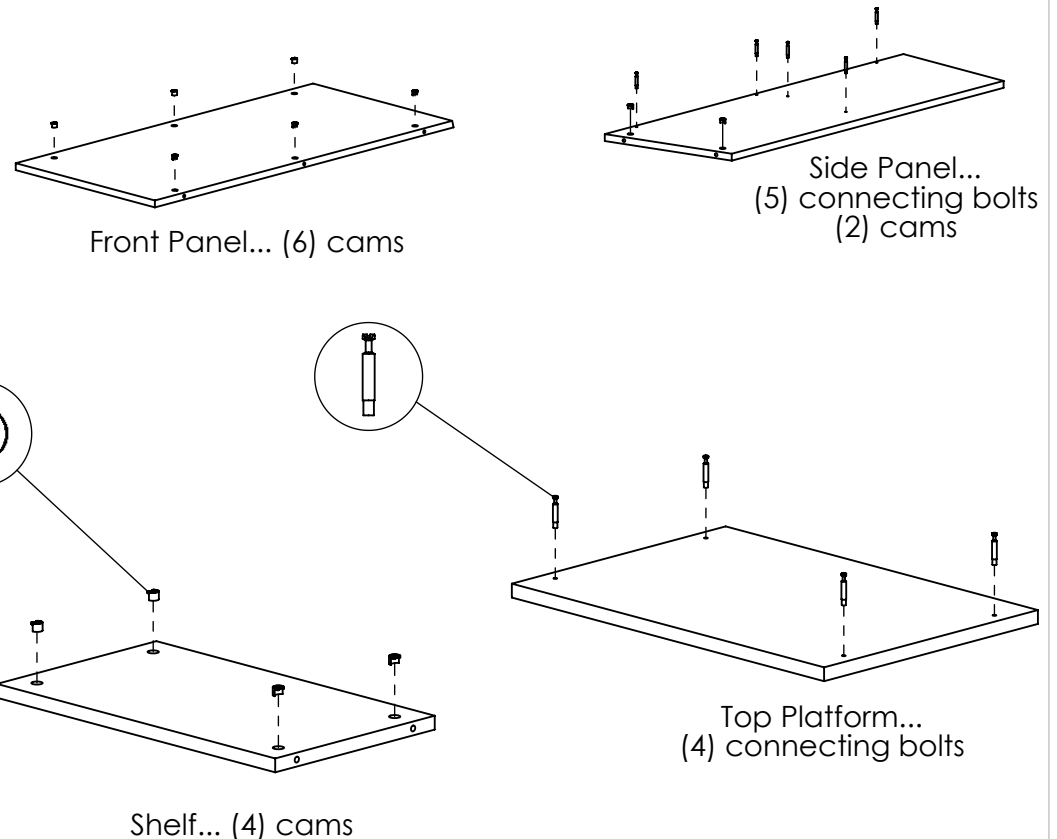
Step #1

It's easiest to begin by laying out all the panels on a carpeted area as shown in the diagram below.



Step #2

While still on the floor, begin inserting the (14) cams & connecting bolts into the panels. The cams should be inserted so that the opening of the cam is facing toward the respective opening on the edge of the panel. All connecting bolts should be threaded into the inserts on the required panels.

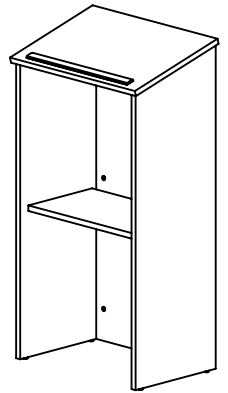
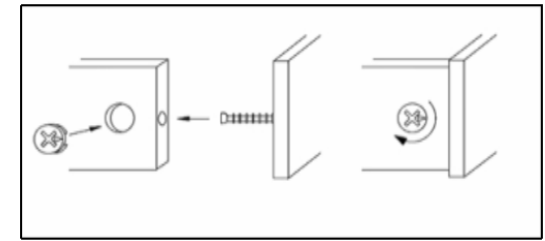
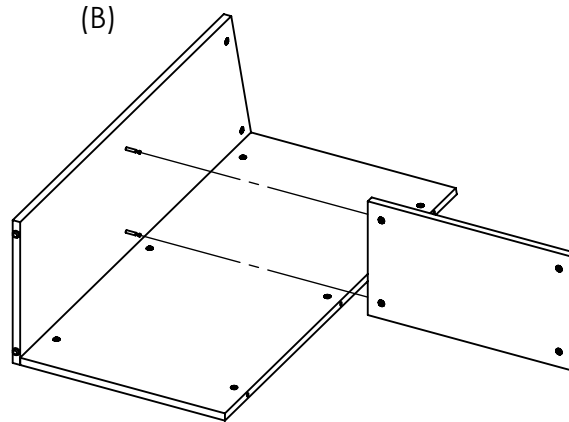
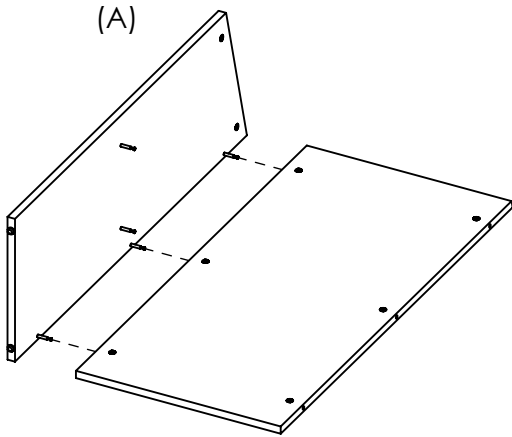


LCTKD Assembly Instructions

SHEET 2 OF 2

Step #3

(A) With the Front Panel lying down & cams inserted, take one of the Side Panels and align the connecting bolts with the holes on the Front Panel. Use a screwdriver to tighten the cams & lock them into place. (B) Next, attach the shelf using the same technique... align the connecting bolts up with the holes & tighten cams. (C) Finally, attach the second Side Panel by aligning the connecting bolts with the holes on both the Front Panel & Shelf... tighten cams.



Step #4

Stand the lectern into an upright position. Position the Top Platform so that the connecting bolts align with the holes on the angled edge of the Side Panels... tighten cams.

