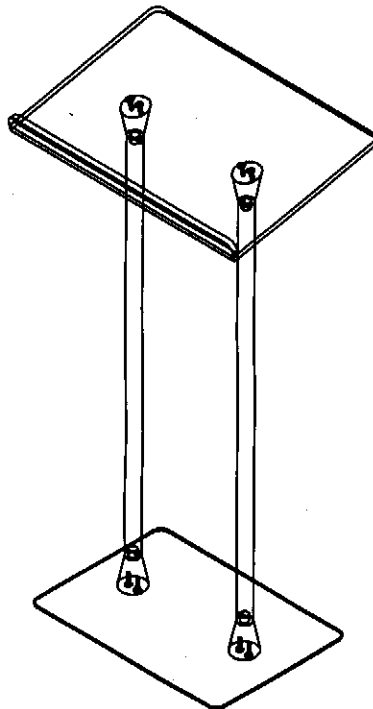


**LECT2PL**  
**Assembly Instructions**

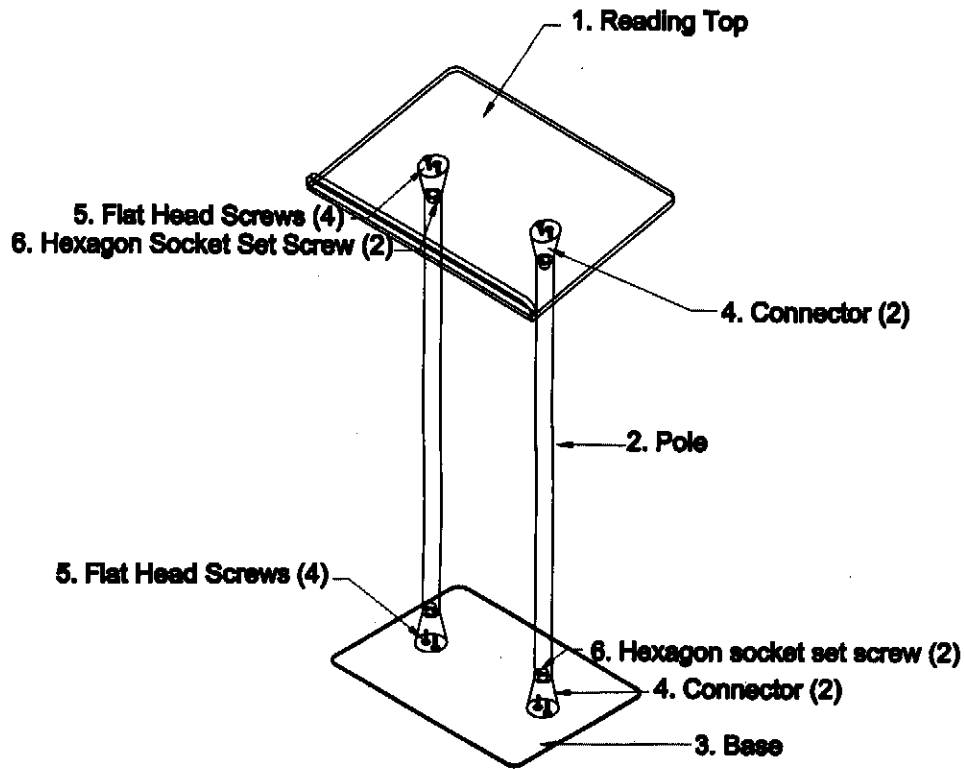


**Lectern Parts:**

- 1. Reading Top
- 2. Pole
- 3. Base
- 4. Connector (4)

**Hardware:**

- 5. Flat Head Screws (8)
- 6. Hexagon Socket Set Screws (4)
- 7. Allen Key
- 8. Phillips Head Screwdriver



7. Allen Key ←

8. Phillips Head Screwdriver ↙

### Assembling the Connectors to the Pole

1. Attach the 2 Connectors to the holes of the Pole.
2. Use the provided Allen Key to fix the Hexagon Socket Set Screws (4) on the matched holes in the Pole shown as illustrated in Figure 2.

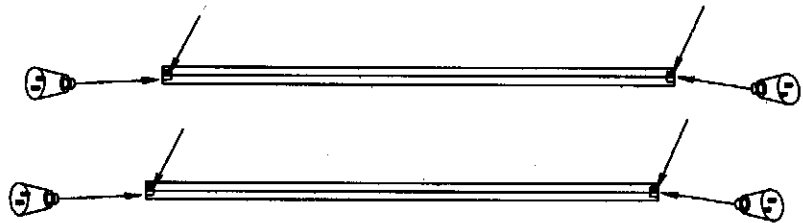


Figure 2

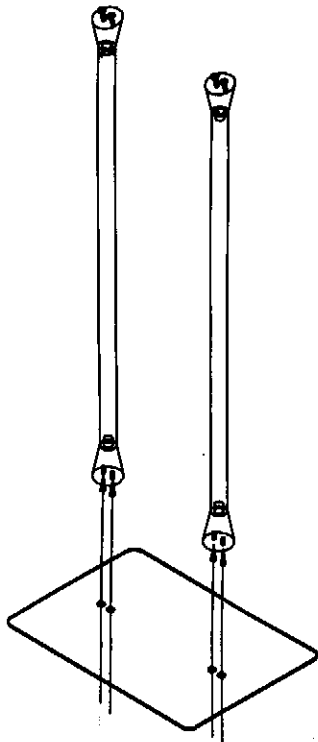


Figure 3

### Assembling the Pole with Connectors to the Base

1. Align the holes in the Base with holes in the Pole.
2. Use the provided Screwdriver to attach the Base to the Pole from bottom to top with 2 Flat Head Screws shown as illustrated Figure 3.

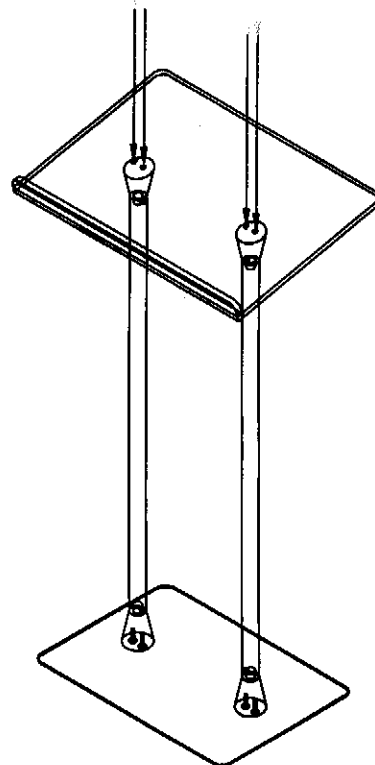


Figure 4

### Assembling the Reading Top to the Pole

1. Align the holes in the Pole with holes in the Reading Top.
2. Use the provided Screwdriver to attach the Reading Top to the Pole from top to Bottom with 2 Flat Head Screws shown as illustrated Figure 4.