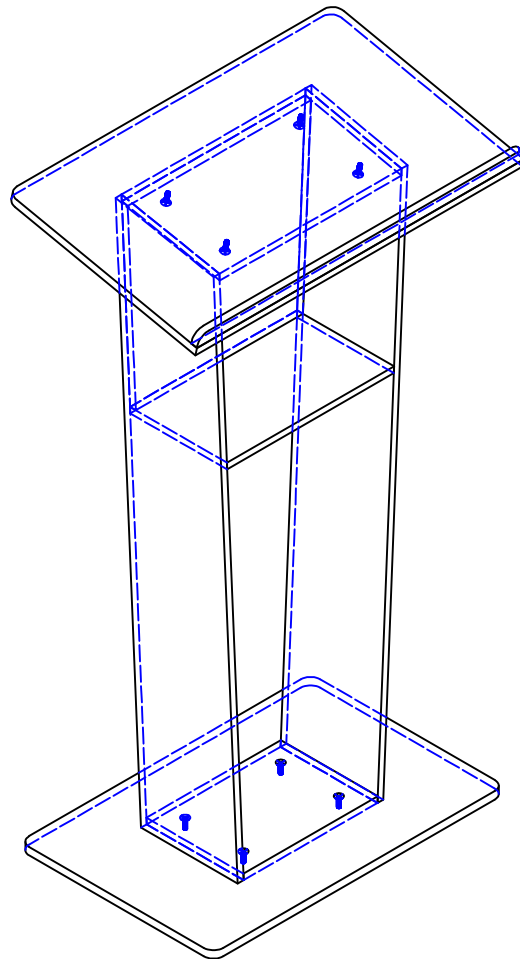


# LECTFACVFC

## Assembly Instructions

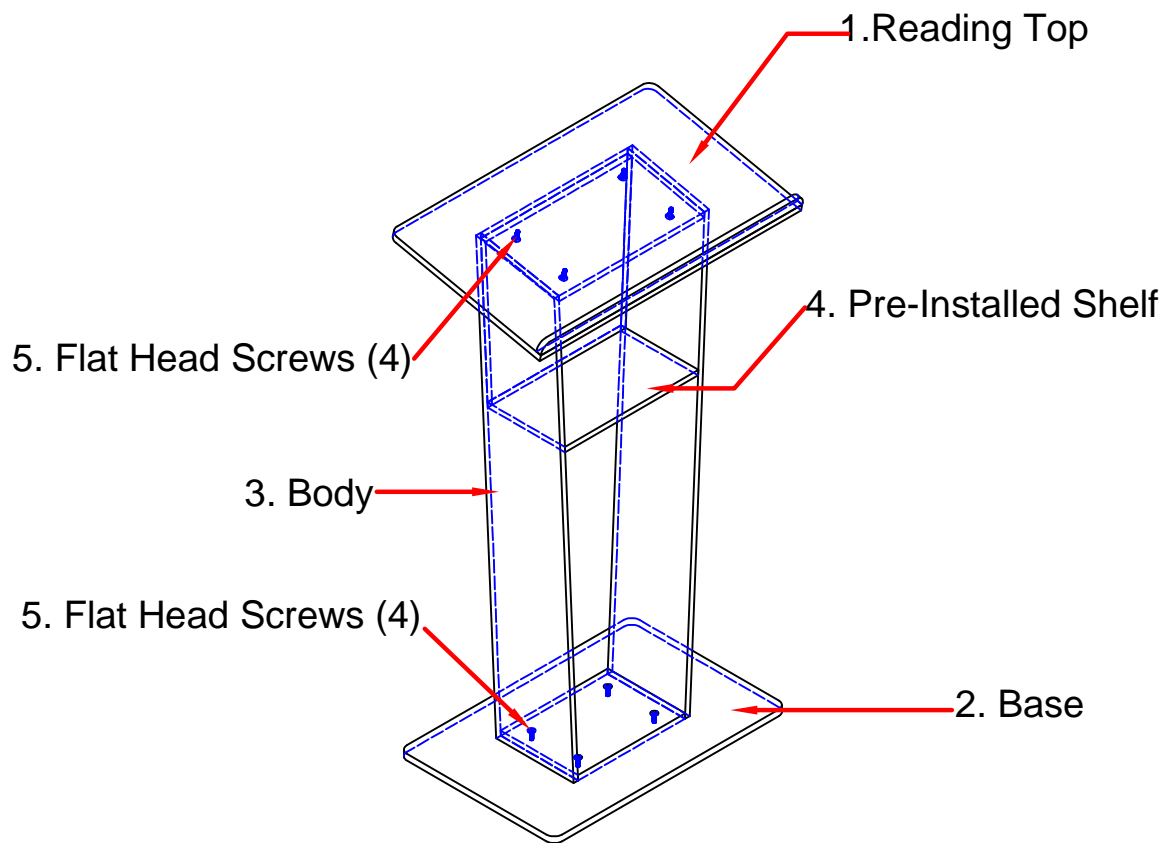


Lectern Parts:

- 1. Reading Top
- 2. Base
- 3. Body
- 4. Pre-Installed Shelf

Hardware:

- 5. (8) Flat Head Screws
- 6. Philips Head Screwdriver (Not shown)



### Attaching the Base to the Body

1. Position the Base and Body on a clean flat surface.
2. Align the pre-drilled holes in the Body with the threaded inserts in the Base.
3. Using the provided Screwdriver, attach the Body to the Base with (4) Flat Head Screws as illustrated in Figure 2.

Tip: Do not fully tighten these screws until the unit is otherwise fully assembled.

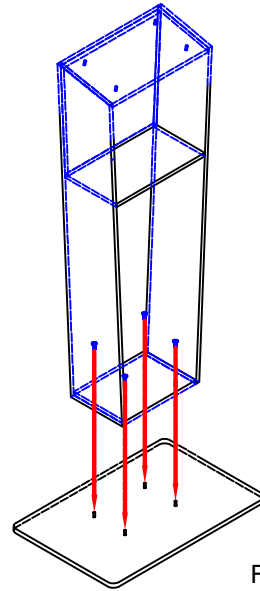


Figure 2

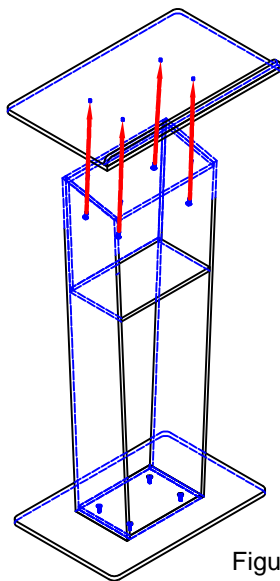


Figure 3

### Attaching the Reading Top

1. Position the Reading Top over the Body as illustrated in Figure 3.
2. Align the pre-drilled holes in the Body with the threaded inserts in the Reading Top.
3. Using the provided Screwdriver, attach the Reading Top to the Body with (4) Flat Head Screws as illustrated in Figure 3.

Tip: You should now fully tighten all (8) Flat Head Screws.