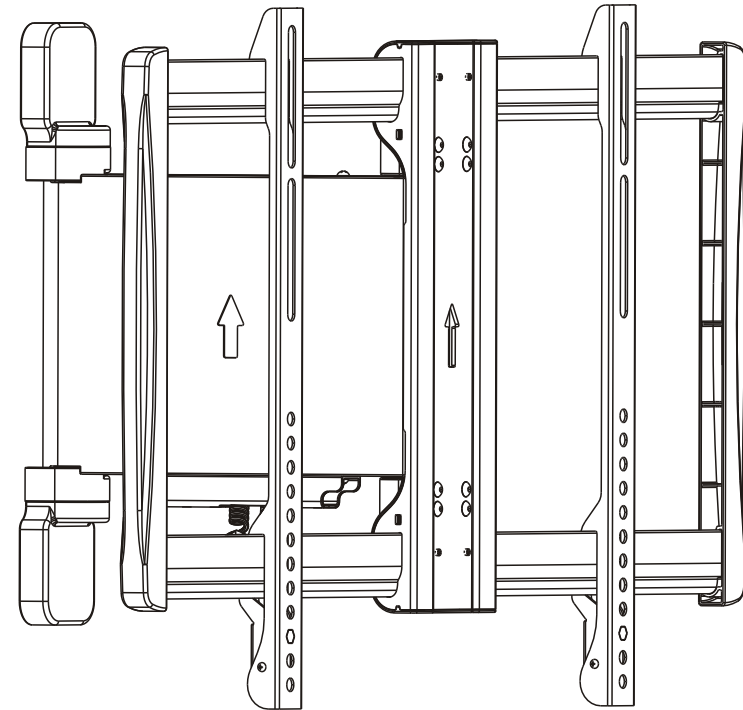


Remote Control Motorized Full-motion TV Wall Mount



CAUTION: DO NOT EXCEED RATED LISTED WEIGHT. SERIOUS INJURY OR PROPERTY DAMAGE MAY OCCUR!



200x200/300x300
400x200/400x400
600x400



60"
MAX



35kg
(77lbs)
RATED

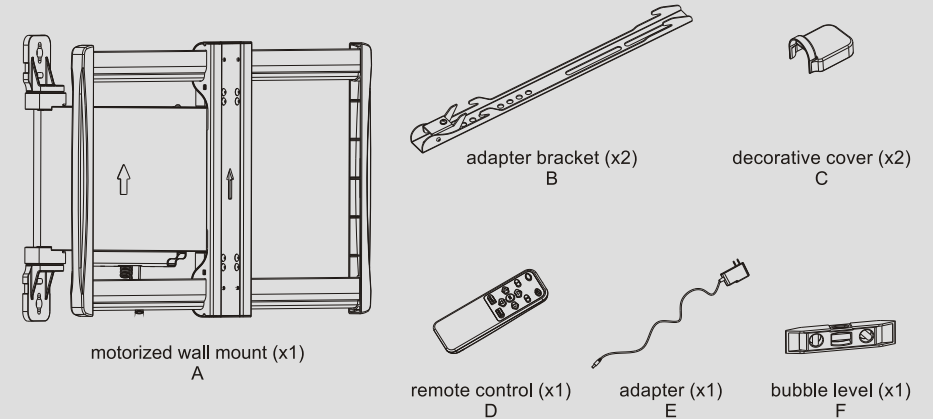
NOTE: Read the entire instruction manual before you start installation and assembly.

⚠ WARNING

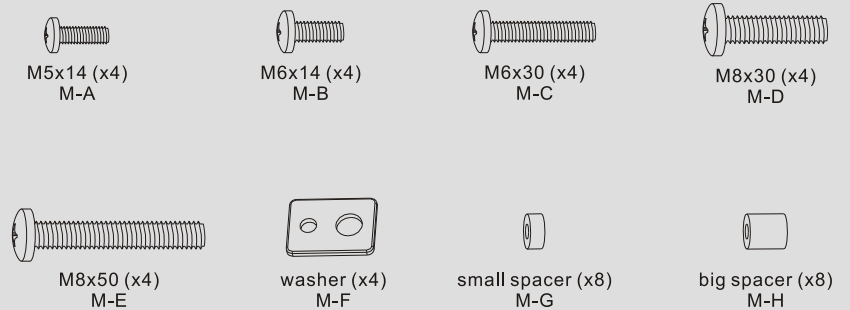
- Do not begin the installation until you have read and understood all the instructions and warnings contained in this installation sheet. If you have any questions regarding any of the instructions or warnings, please contact your local distributor.
- This mounting bracket was designed to be installed and utilised ONLY as specified in this manual. Improper installation of this product may cause damage or serious injury.
- This product should only be installed by someone with good mechanical ability who has basic building experience and fully understands this manual.
- Make sure that the supporting surface will safely support the combined weight of the equipment and all attached hardware and components.
- If mounting to wood wall studs, make sure that mounting screws are anchored into the center of the studs. The use of a stud finder is highly recommended.
- Always use an assistant or mechanical lifting equipment to safely lift and position the equipment.
- Tighten screws firmly, but do not over tighten. Over tightening can cause damage to the items, This greatly reduces their holding power.
- This product is intended for indoor use only. Using this product outdoors could lead to product failure and personal injury.

Component Checklist

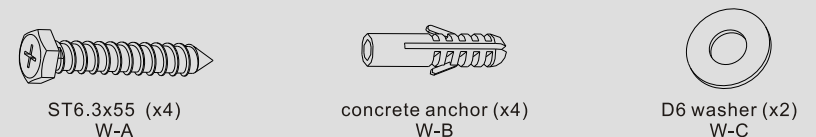
IMPORTANT: Ensure that you have received all parts according to the component checklist prior to installation. If any parts are missing or faulty, telephone your local distributor for a replacement.



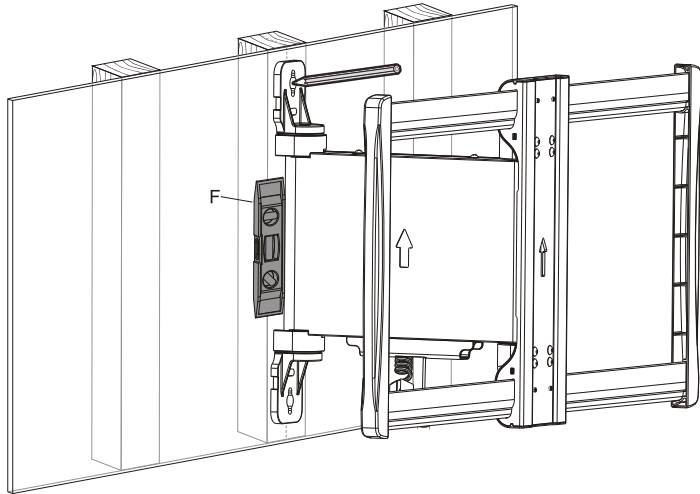
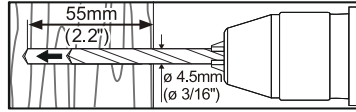
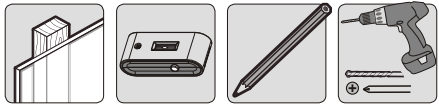
Package M



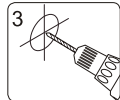
Package W



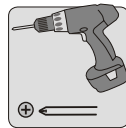
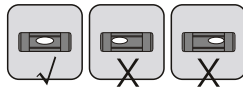
1a. For Wood Stud Wall Mounting



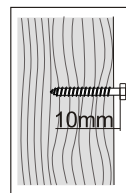
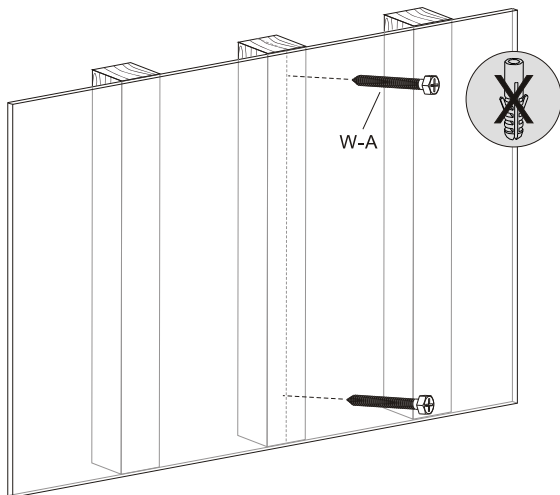
Find and mark the exact location of mounting holes



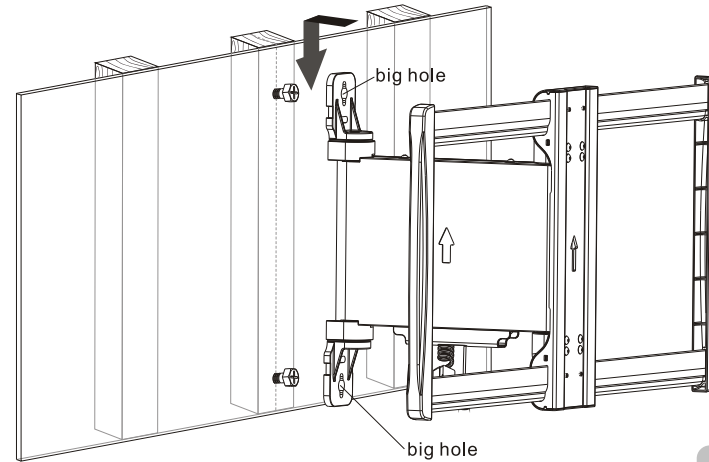
Drill pilot holes



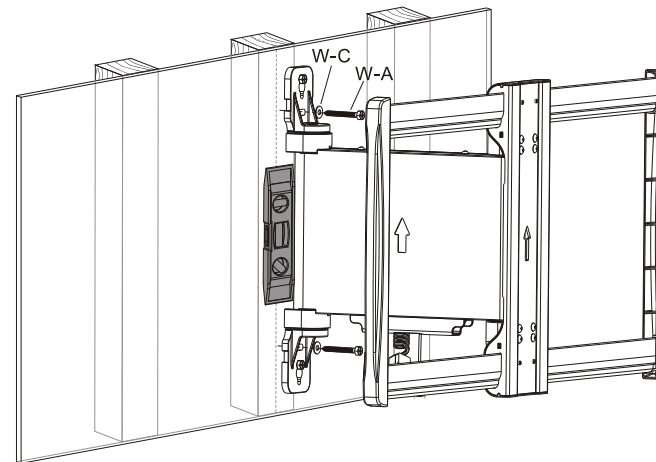
Screw the wall mount onto the wall



Tighten the screws leaving a 10mm space from the wall.



Align the big holes on the wall plate to the screws in the wall and lower the wall plate.



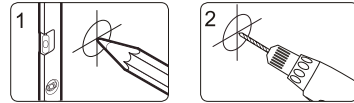
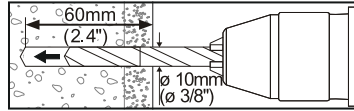
Install the other two screws and level the wall plate, then tighten all screws for security.

With the arrow pointing up.

⚠ WARNING

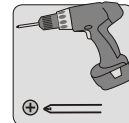
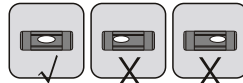
- Make sure that mounting screws are anchored into the center of the studs. The use of a stud finder is highly recommended.
- Installers are responsible to provide hardware for other types of mounting situations.
- Installers must verify that the supporting surface will safely support the combined weight of the equipment and all attached hardware and components.

1b. For Solid Brick and Concrete Mounting

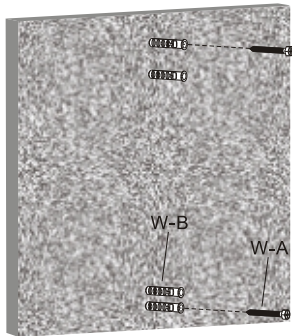
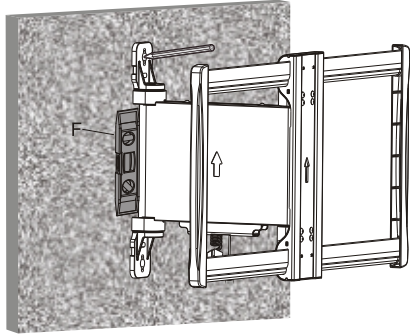


1
Mark the exact location of mounting holes

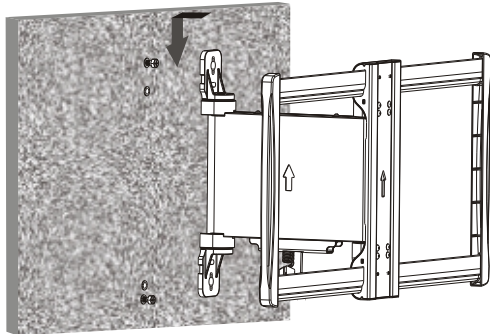
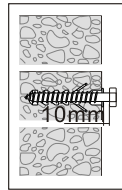
2
Drill pilot holes



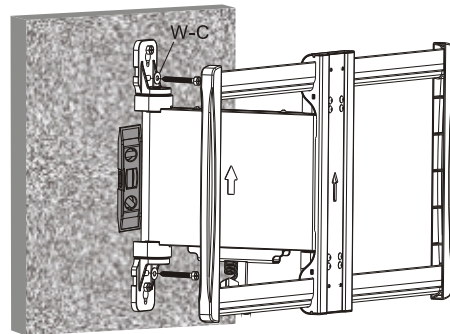
Screw the wall mount onto the wall



Tighten the screws leaving a 10mm space from the wall.



Align the big holes on the wall plate to the screws in the wall and lower the wall plate.

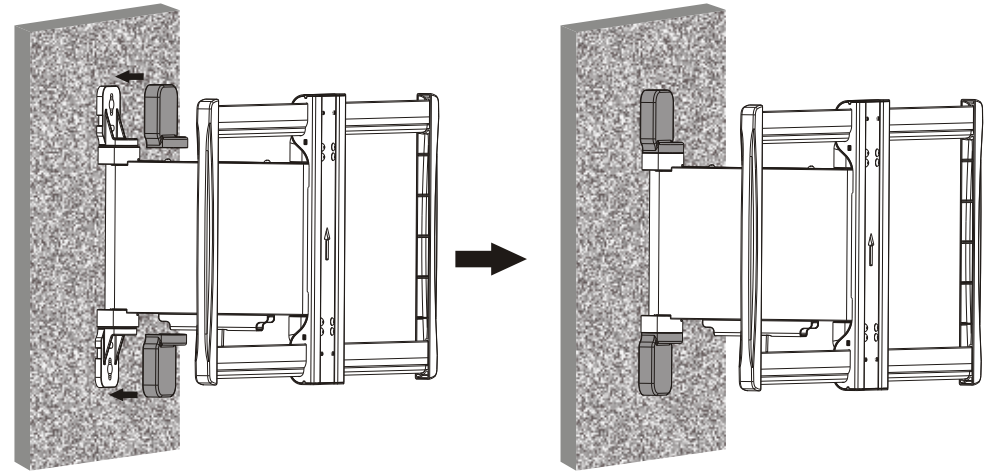


With the arrow pointing up.

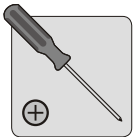
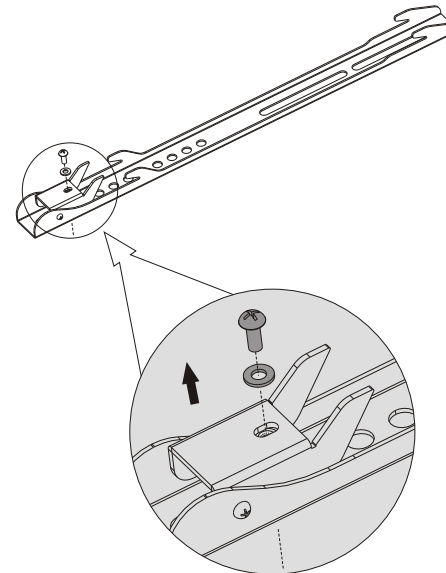
⚠ WARNING

Installers must verify that the supporting surface will safely support the combined weight of the equipment and all attached hardware and components.

2. Installing the Decorative Covers

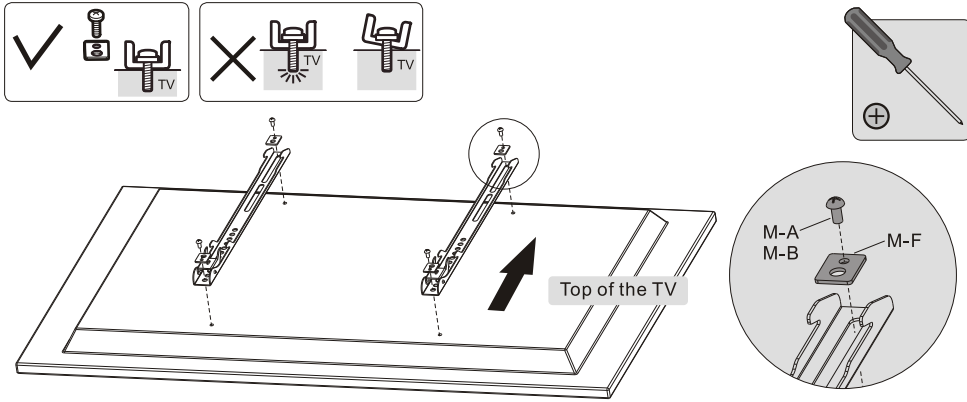


3. Installing the Adapter Brackets

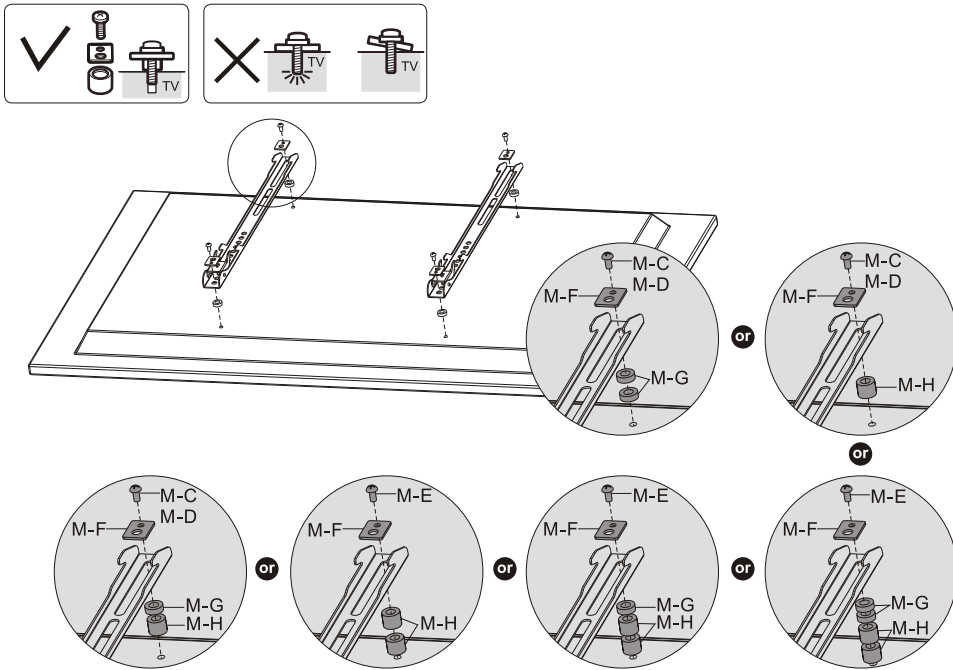


Use a proper screwdriver to remove the screw and the washer before installing the adapter brackets to the TV.

3-1. For Flat Back Screens



3-2. For Recessed Back Screens or to Access A/V Inputs

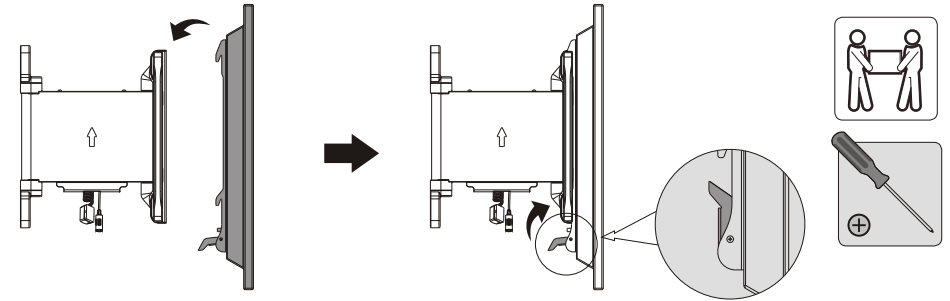


Note: Choose the appropriate screws, washers and spacers (if necessary) according to the type of screen.

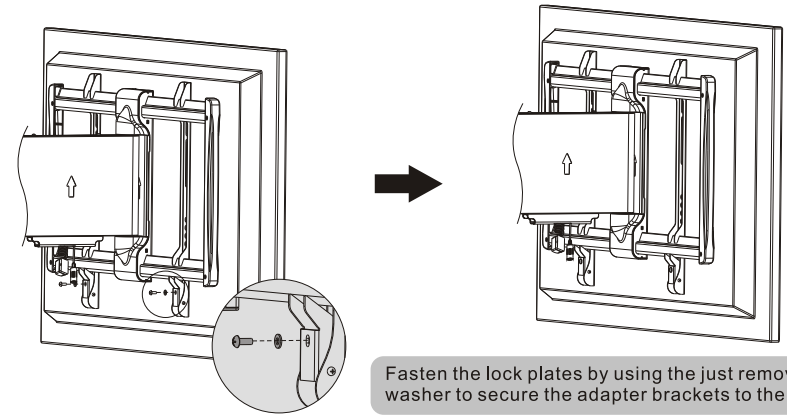
- Position the adapter brackets as close as possible to the center of the TV.
- Screw the adapter brackets onto the TV.

⚠ Tighten all screws but do not over tighten.

4. Hooking the TV onto the Wall Mount

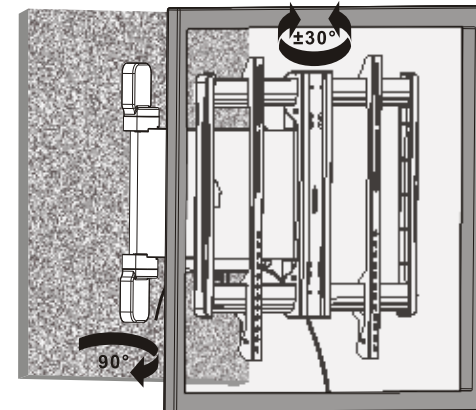


Lift and hook the TV onto the wall mount.



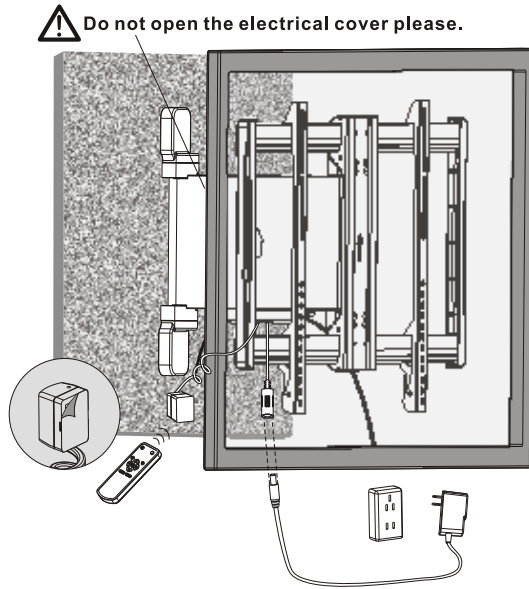
Fasten the lock plates by using the just removed screw and washer to secure the adapter brackets to the wall mount.

5. Cable Management



Connect the cables to your TV and route through the cable clips.
Note: Leave slack in the cables for arm movement.

6. Placing the IR Receiver

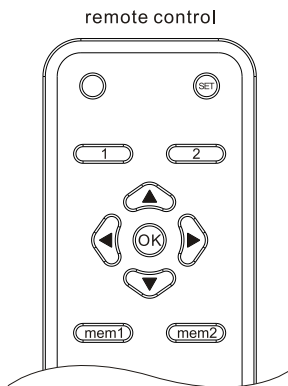


⚠ Do not plug into the power outlet until it is ready to be operated.

Peel the backing paper. Place the IR receiver into the desired position. Make sure nothing will obstruct the transmission from where the TV will be viewed.

7. The Remote Control Operating Instructions

Remote control operation instructions



STEP 1: When the motorized wall mount is powered on, you will hear it beeps once and the system is now on standby.

STEP 2: Push the wall mount by hand until it folds flat against the wall. Press **OK** and then hear one beep from the buzzer, the system will then enter a working condition.

STEP 3: Follow the Key function instructions below for further operation.

Note: • Encountering obstacles or damage of mechanical parts during operating will make the TV wall mount stop automatically and the buzzer will beep three times as a warning.

• When the wall mount meets with an obstacle in the process, please remove the obstacle and push the wall mount by hand until it folds flat against the wall. Pressing **Up** button to gain an initial wall mount position, the wall mount can be operated normally afterwards.

Buttons function instructions

Out button. Press and release **Out**. The TV wall mount will fully unfold.

In button. Press and release **In**. The TV wall mount will return to rest against the wall.

Stop button

Left button. Press and release **Left**, the TV wall mount will swivel to the left until **OK** is pressed or the TV wall mount swings to its 30° max angle. (Note: this button is valid only when the wall mount is fully extended)

Right button. Press and release **Right**, the TV wall mount will swivel to the right until **OK** is pressed or the TV wall mount swings to its 30° max angle. (Note: this button is valid only when the wall mount is fully extended)

Memory button1. Press and hold for 5 seconds, two continuous beeps will be heard. The LED light on the remote control turns on for one second to indicate current position memorized successfully as mem 1.

Memory button2. Press and hold for 5 seconds, two continuous beeps will be heard. The LED light on the remote control turns on for one second to indicate current position memorized successfully as mem 2.

1 + OK To recall the **mem1** button(mem 1). Press and release **1** button, and then press **OK** button, The TV wall mount will automatically swivel to the location1 after the buzzer sounds once.

2 + OK To recall the **mem2** button(mem 2). Press and release **2** button, and then press **OK** button, The TV wall mount will automatically swivel to the location2 after the buzzer sounds once.

SET + OK Learning button, Please read the instructions below for more info.


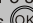
LEARN MODE operation instructions



The loss of wall mount remote control would result in TV wall mount being unusable. The **LEARN MODE** is only used to copy some of the button functions to TV controllers(suitable for most popular brands) for more convenience in using.


Note:



- TV remote cannot replace the wall mount remote controller, only to **LEARN** five button functions which are **Left**, **Right**, **OK**, **In** and **Out**.
- The user must follow the rules below when using the TV remote to control TV wall mount. Select null keys on the TV remote so it won't affect original TV controlling after functions copied.

• **LEARN MODE** instructions as shown below:

STEP1: Press and hold  for 5 seconds until LED light on the wall mount remote control turns flickering to staying on. then press  and the buzzer will beep once, and the red LED light on the IR receiver will stay on, then the **LEARN MODE** will be accessed.


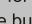
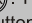
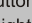
STEP2: To **LEARN**  , please press  on the wall mount remote control until the buzzer beeps twice. The red LED light on the IR receiver will change from being steady to slow flashes.


STEP3: Aim the TV remote at the IR receiver, and press the button on the TV remote that you need to set as the function of  button until the buzzer beeps three times. The red LED light on the IR receiver will change from slow flashes to fast flashes.

STEP4: Press  button on the wall mount remote control until the buzzer beeps four times. The red LED light on the IR receiver will turn off, showing  button is **LEARNED** successfully. If the buzzer only beeps once, the **LEARNING** process is failed. (The TV remote doesn't support **LEARNING** function.)

The rest button functions can be **LEARNED** by the same steps above.

Learn "Power" button on the TV remote:

Press and hold  for 5 seconds until LED light on the wall mount remote control turns flickering to staying on, then press . The buzzer will beep once, and the red LED light on the IR receiver will stay on, then press and hold  button on the wall mount remote control until the buzzer beeps twice, then release the  button. The red LED light on the IR receiver will change from being steady to slow flashes.

Aim the TV remote at the IR receiver, and press "Power" button. The buzzer will beep three times. The red LED light on the IR receiver will change from slow flashes to fast flashes. Press  button on the wall mount remote control until the buzzer beeps four times. The red LED light on the IR receiver will turn off, indicating "Power" button is learned successfully. Pressing "Power" button will automatically fold wall mount to the wall while turning off the TV.

Note: Any interval over 20 seconds with no operations done to buttons will exit the wall mount control from **LEARN MODE**.

Maintenance

- Check that the bracket is secure and safe to use at regular intervals(at least every three months).
- Please contact your distributor if you have any questions.

8. Repair

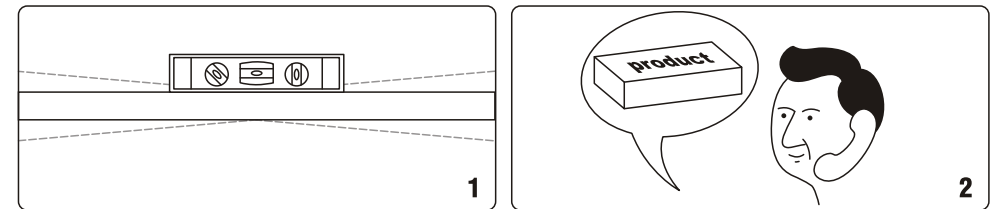
In Front

This repair guide intends to help you identify and solve the minor problems caused by unusual operation of the electric system of our electric TV mounts. The simple procedures in this manual are easy to follow and capable of solving the most problems happened in everyday use.

Error Indication

1. The Buzzer Constantly Gives Out Alarm Sound

Please check if the TV mount is installed evenly. If not please readjust the TV mount to an even position. If the alarm continues, please contact us to replace the product.

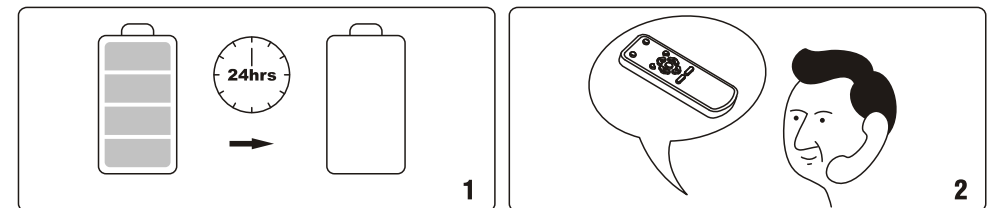


Remote Control Problems

1. Abnormal Loss Of Power

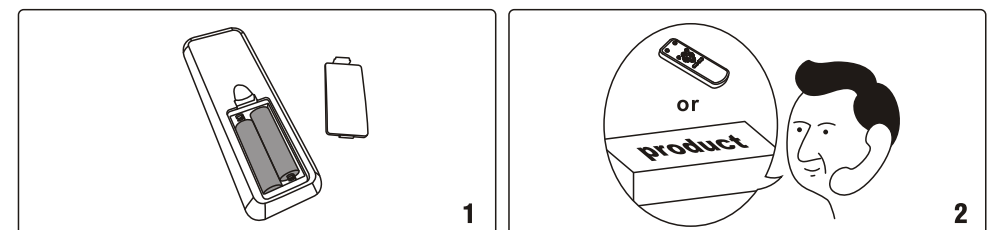
(Batteries Are Out Of Power After 24hrs Without Using The Remote Control.)

Please contact us to replace remote control.



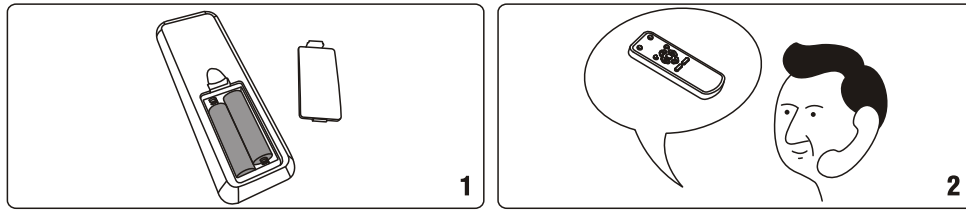
2. Buttons On Remote Control Don't Work.

Please check if the batteries have power. If the problem isn't solved, please contact us to replace the remote control. If the problem is still not solved after the replacement, please contact us to replace the product.



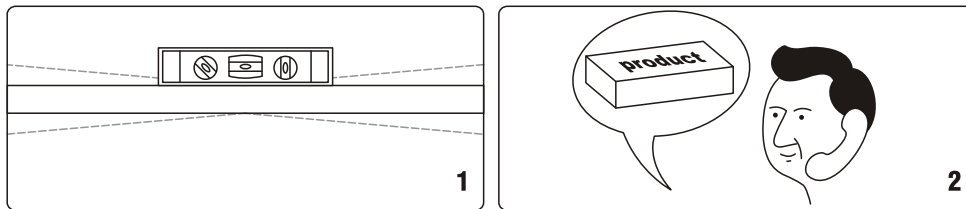
3. The Insensitivity Of Remote Control (The Functional Distance Is Less Than 3m.)

Please replace the batteries. If the problem is still not solved, please contact us to replace remote control.



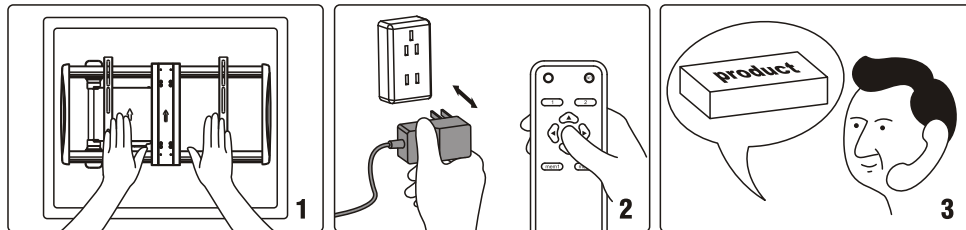
Unsteady Movement

Please check if the TV mount is evenly installed. If not, please readjust the TV mount to an even position. If the problem still happens please contact us to replace the product.



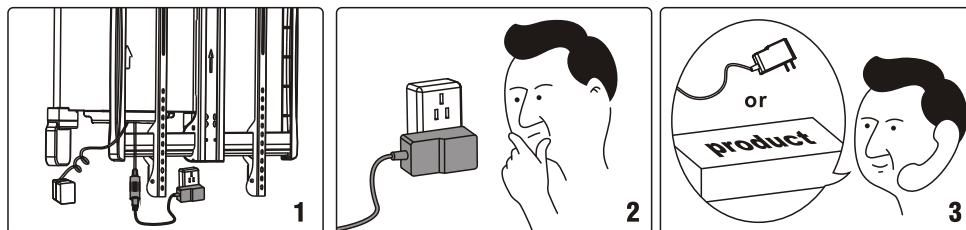
TV Isn't Parallel with The Wall or The Collision of TV

Please push the TV mount back to wall, and turn the power off. Then turn the power on again, and press "OK" buttons to reset the system. If the problem is still not solved, please contact us to replace the product.



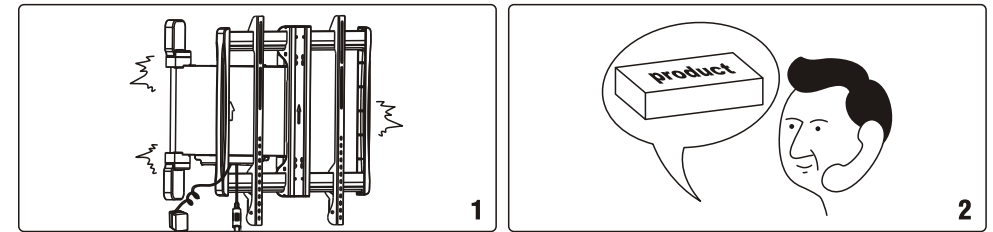
Can't Operate

Please check if the power adaptor is properly connected to the product. If so, please turn the power on. If there is no buzzer sound or red light power indication, please check if the power adaptor works properly. If the power adaptor doesn't work please contact us to replace the power adaptor. If the power adaptor works properly, but the TV mount doesn't work, please contact us to replace the product.



Abnormal Noise

Please contact us to replace the product.



Motor Can't Stop/Anti-Collision Mechanism Slips

Please contact us to replace the product.

