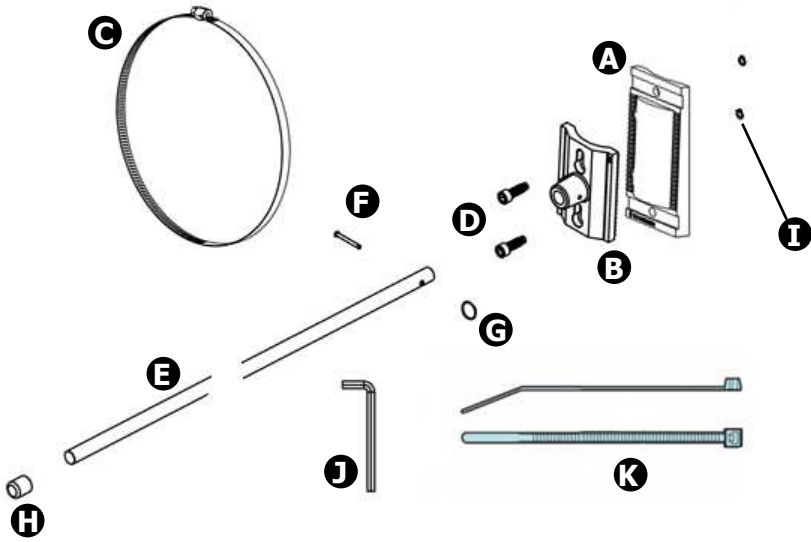


# SPPB Assembly Instructions



## What Is In The Box

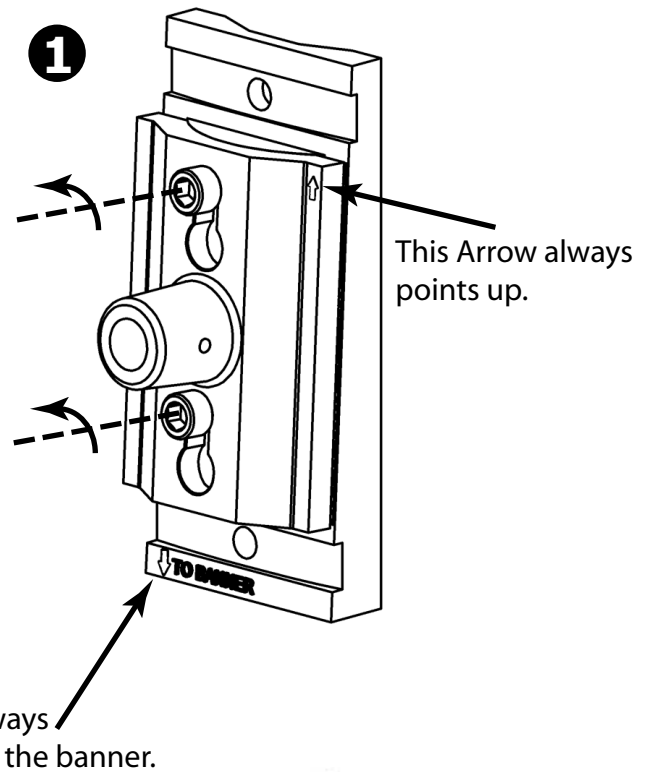
Description	QTY
A. Bracket Back	2
B. Bracket Front	2
C. Clamp	4
D. Bolt	4
E. Banner Pole	2
F. Pin	2
G. Split Ring	2
H. Cap	2
I. Retainer Ring	4
J. Hex Key	1
K. Cable Tie	4
Instruction Sheet	1

## SPPB Assembly

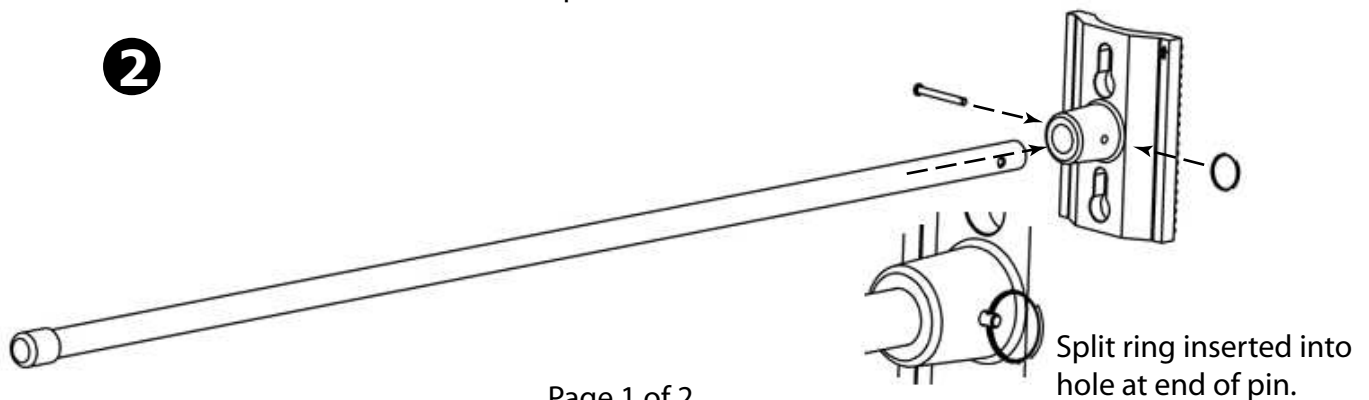
1. The two brackets will come semi-assembled. The Bolts(D) are secured to the Back (A) with Retaining Rings (I) which do not need to be removed. Loosen the Bolts(D) on one bracket to remove Front(B) and reverse the arrow direction.

When installed on a post, the arrows on both Bracket Front (B) must point up. The arrows on the Bracket Backs (A) must point toward the banner.

2. Assemble one Banner Pole (E) to each Bracket Top (B). Align and insert Pin (F) and secure Pin with Split Ring (G) by inserting the Split Ring through the hole in the end of the Pin (F).

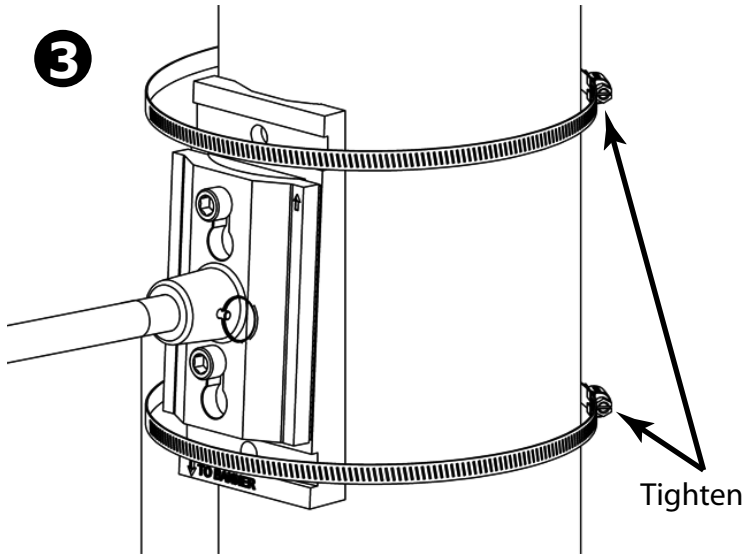


**2**



# SPPB Assembly Instructions

3



## Install Top Bracket Assembly

3. Place uppermost bracket assembly on post at desired height and secure with two Clamps (C) as shown in image to left. Use Screwdriver to tighten.

Bracket Back must have To Banner arrow pointing down and arrow on Front pointing up. Bolts should be tightened to secure Front in place.

Large carriage screws (not included) or similar may be used in two through holes to mount brackets instead of clamps.

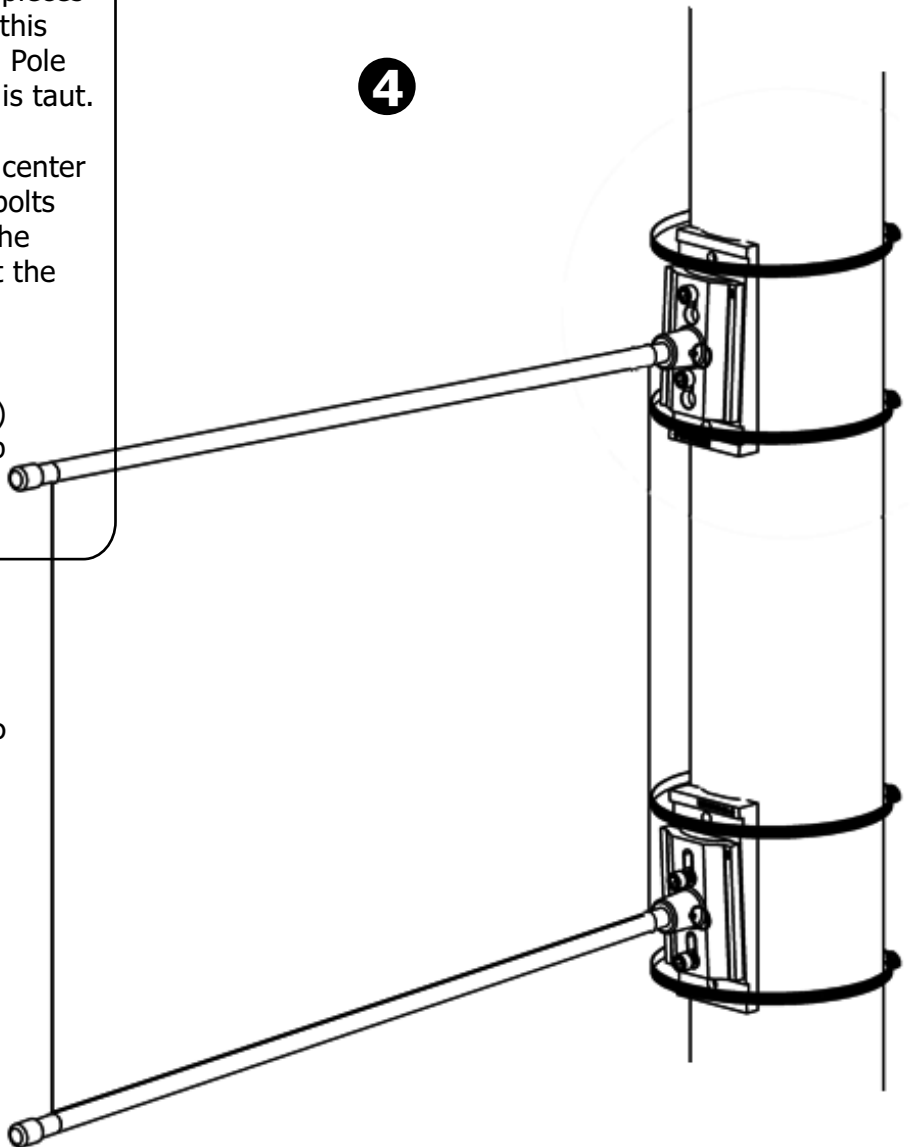
## Banner Installation

4. Place lower bracket assembly on post with two Clamps (C). Arrows on both bracket pieces must point up. Do not tighten clamps at this time. Slide end loop of banner onto each Pole (E). Adjust lower bracket so that banner is taut.

Note that the Poles (E) angle away from center to help keep the banner tight. Also, the bolts on either bracket may be loosened and the Front slid along the teeth to micro adjust the banner's tautness. Retighten bolts after adjustment with Hex Key (J).

5. On each bracket thread one Cable Tie (K) through eyelet on bracket and fabric loop on banner. Tighten Cable Tie to prevent banner from sliding off Poles (E).

4



5

