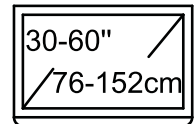
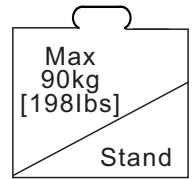
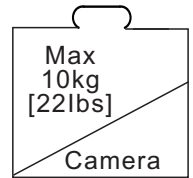
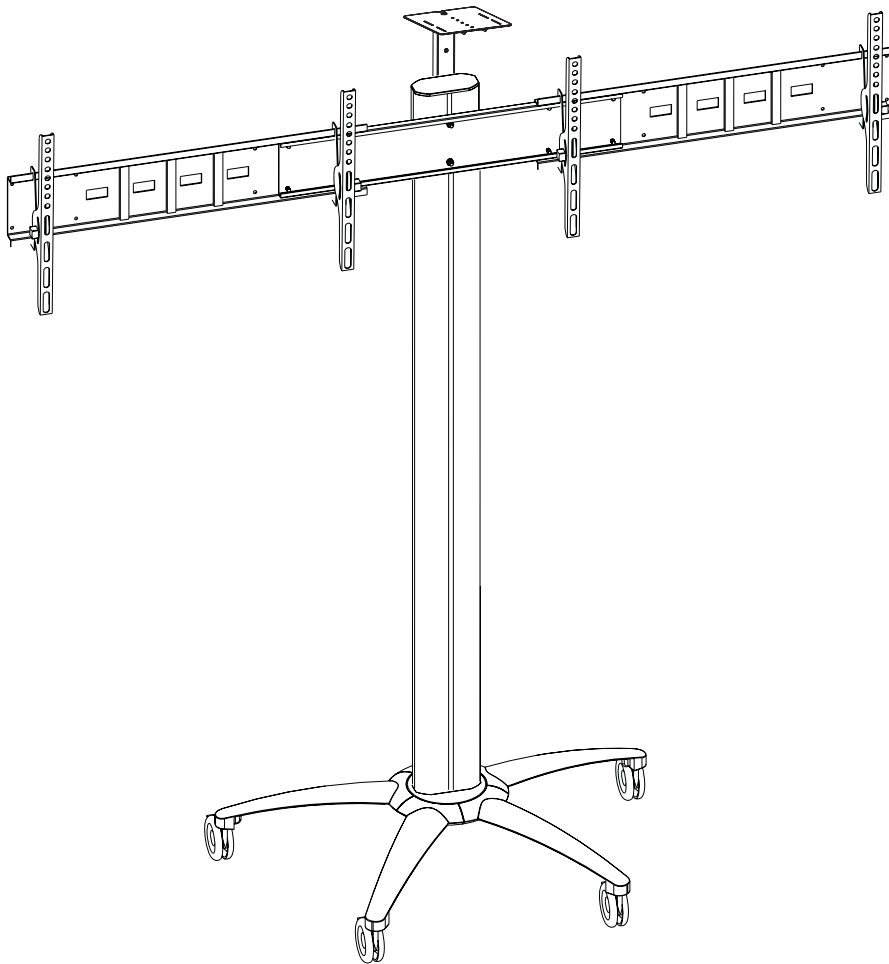
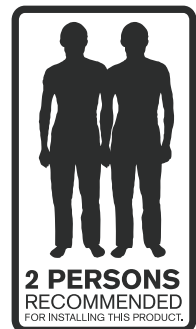


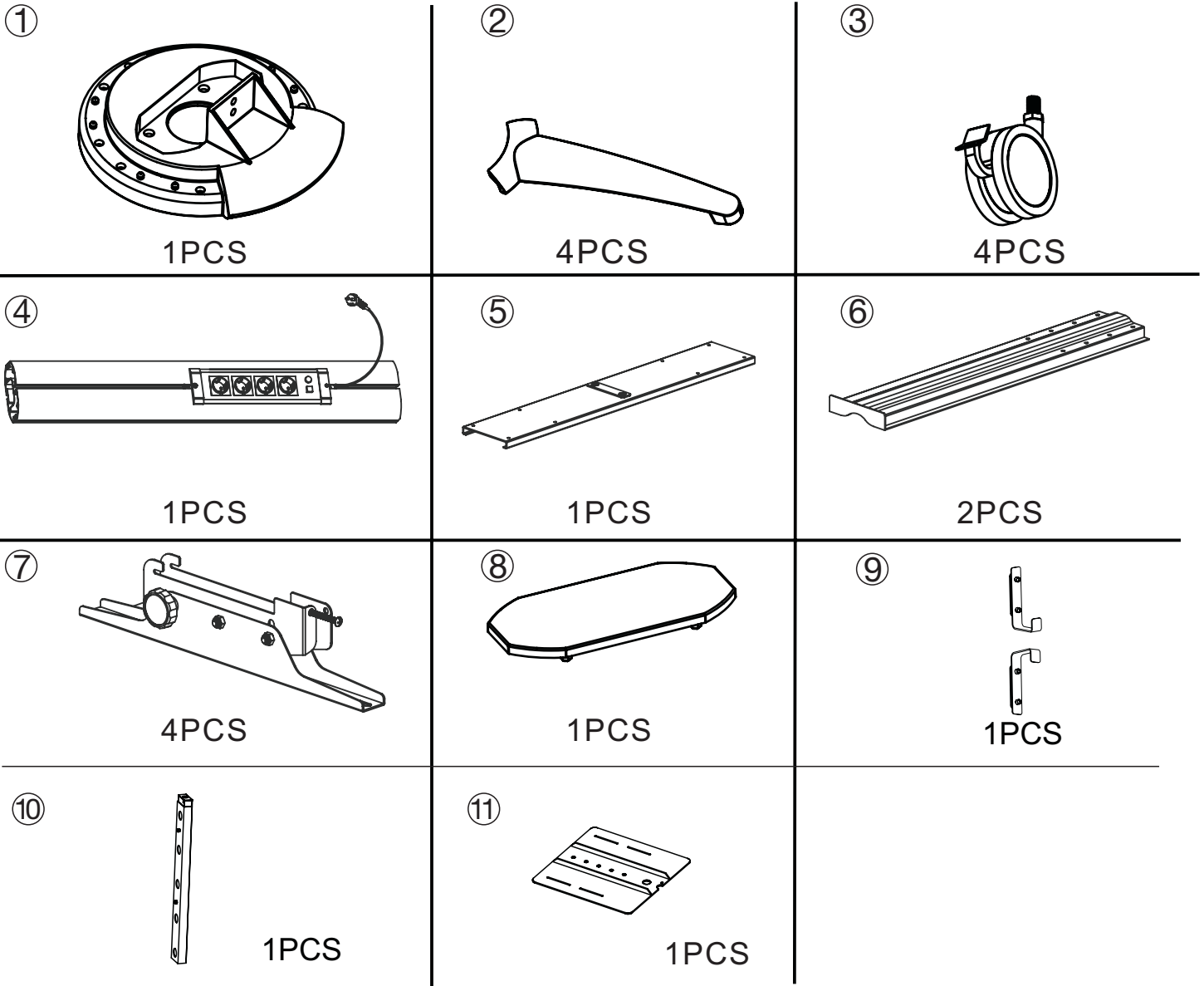
DISPLAYS2GO


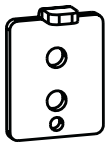



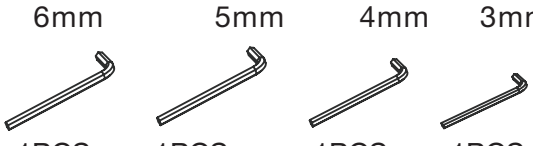









LPGP36WB2S



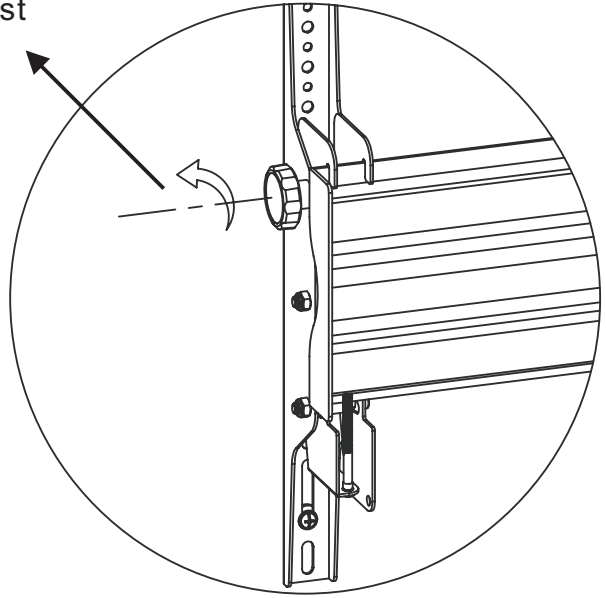
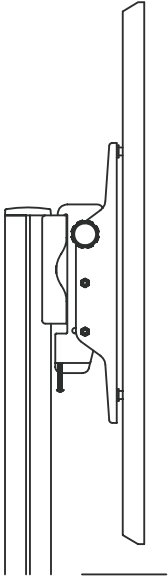
MAX 800*400



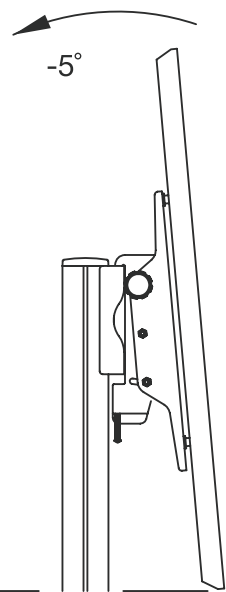
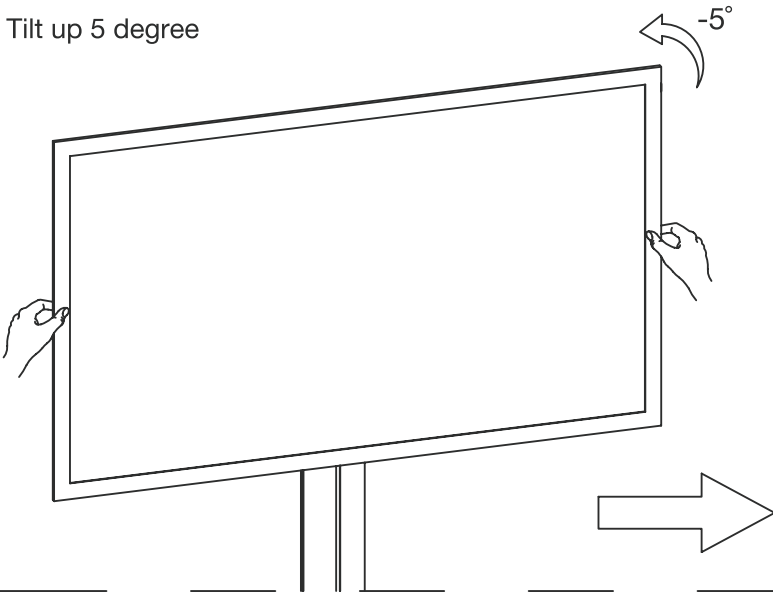


<p>A</p>  <p>M8X15 8PCS</p>	<p>B</p>  <p>1PCS</p>	<p>C</p>  <p>M6X10 2PCS</p>	<p>D</p>  <p>M8 8PCS</p>	<p>E</p>  <p>M6X15 10PCS</p>	<p>F</p> <p>6mm 5mm 4mm 3mm</p>  <p>1PCS 1PCS 1PCS 1PCS</p>			
 <p>M8X25 12PCS</p>	 <p>M6X25 8PCS</p>	<p>G</p>  <p>M5X15 8PCS</p>	 <p>M4X15 8PCS</p>	 <p>M8 8PCS</p>	 <p>M6 16PCS</p>	 <p>M5 8PCS</p>	 <p>M4 8PCS</p>	<p>I</p>  <p>14mm</p>

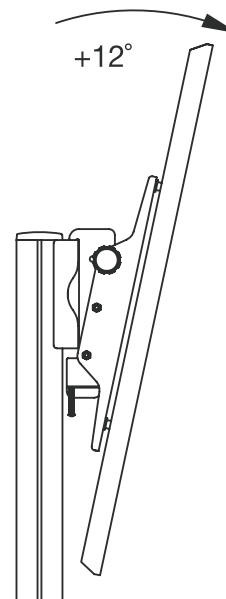
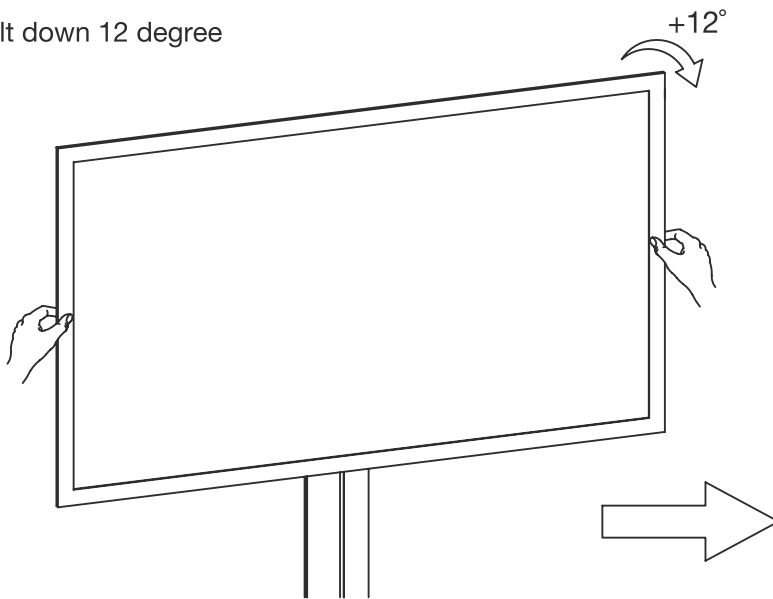
Tilt adjustment
Rotate knob to adjust
screen tilt



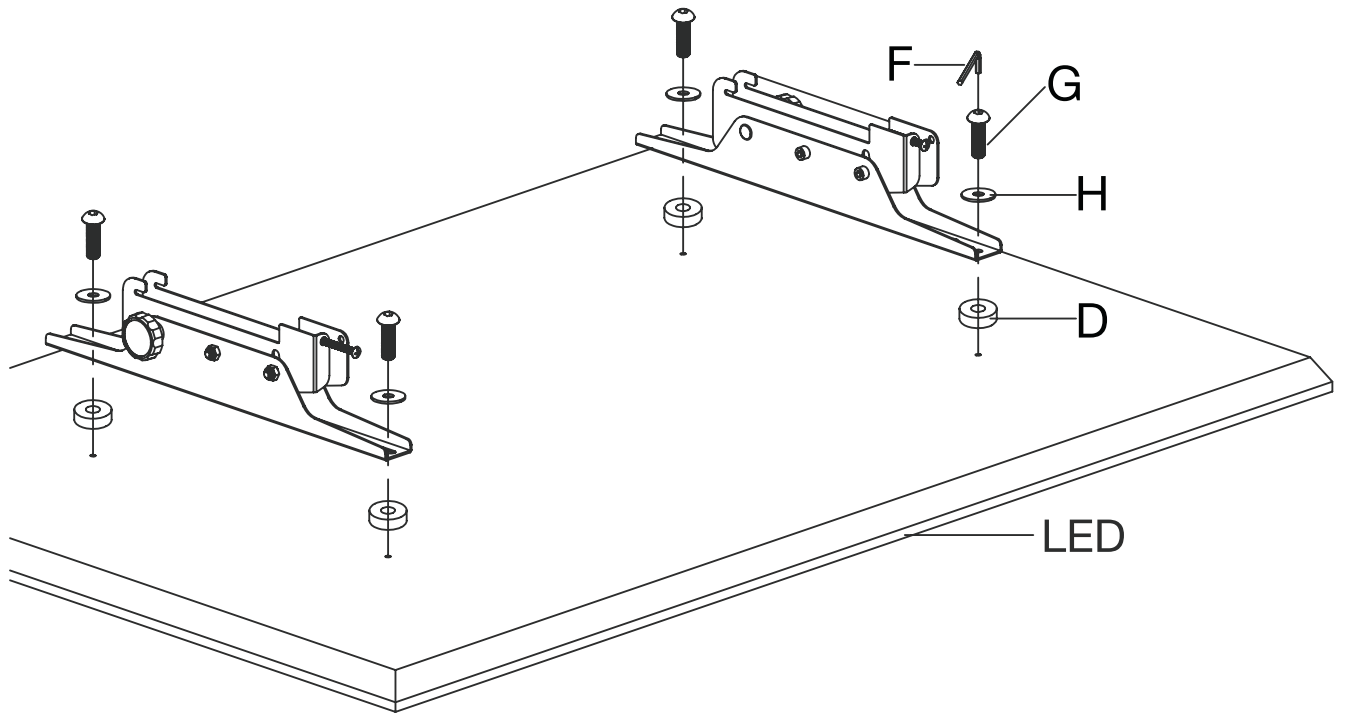
Tilt up 5 degree



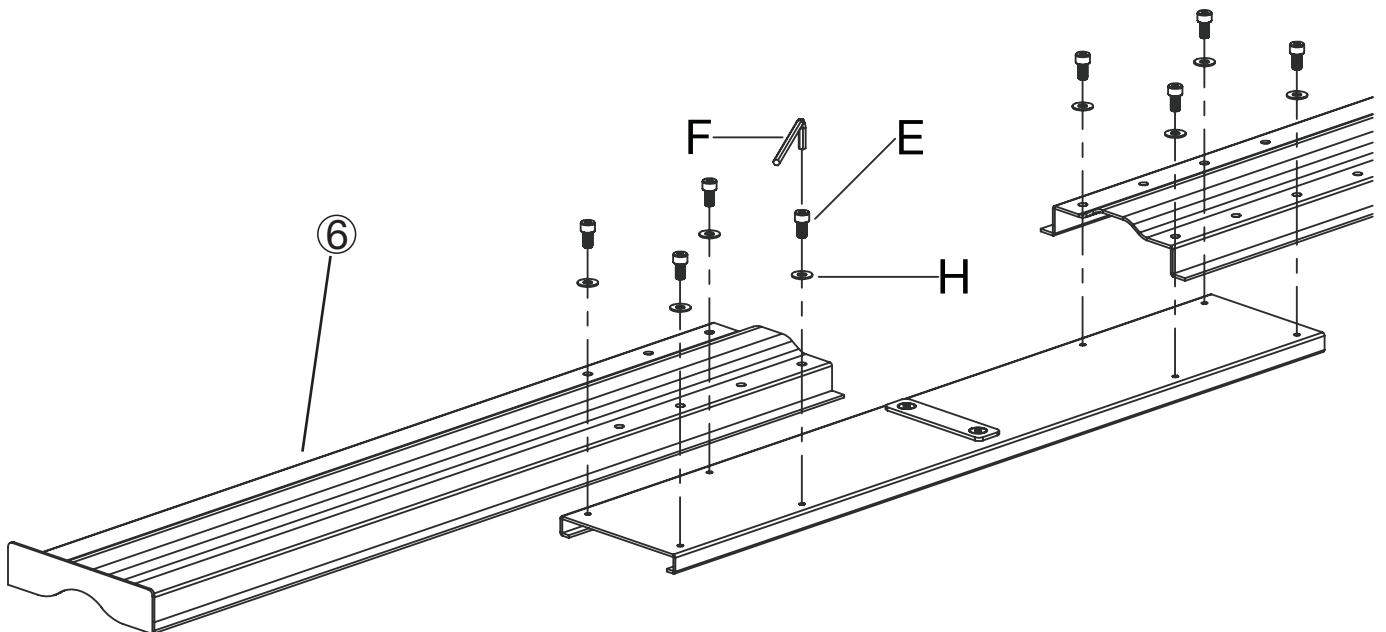
Tilt down 12 degree



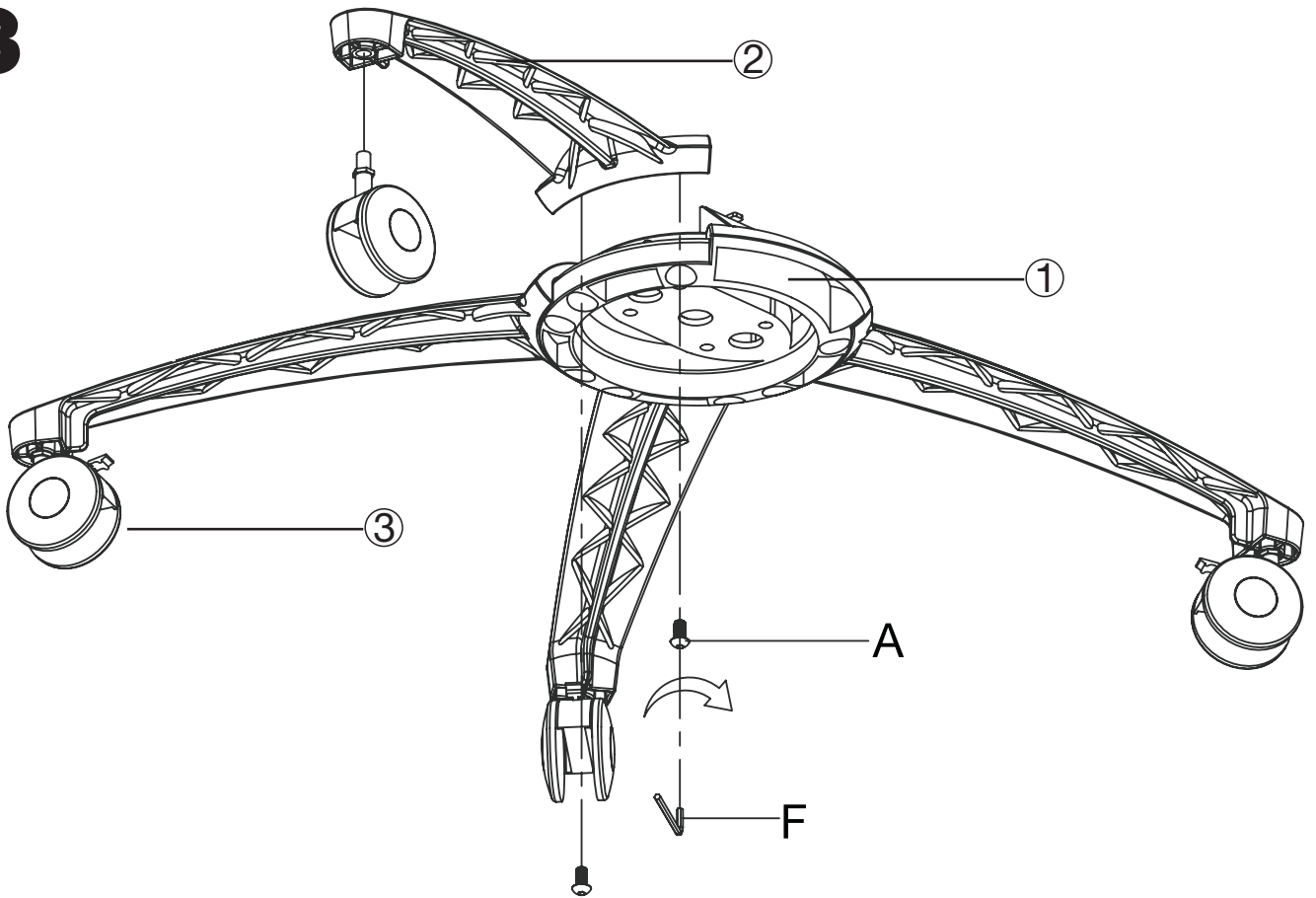
1



2

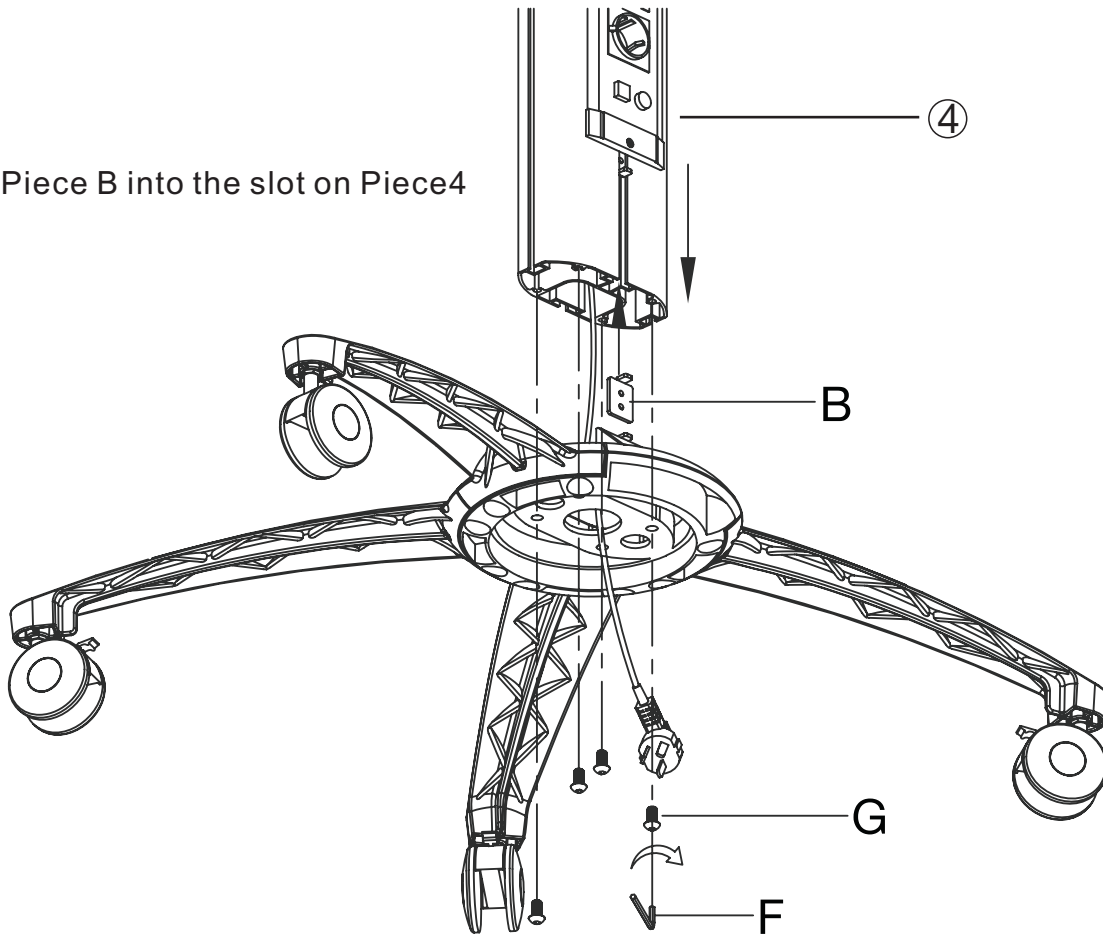


3

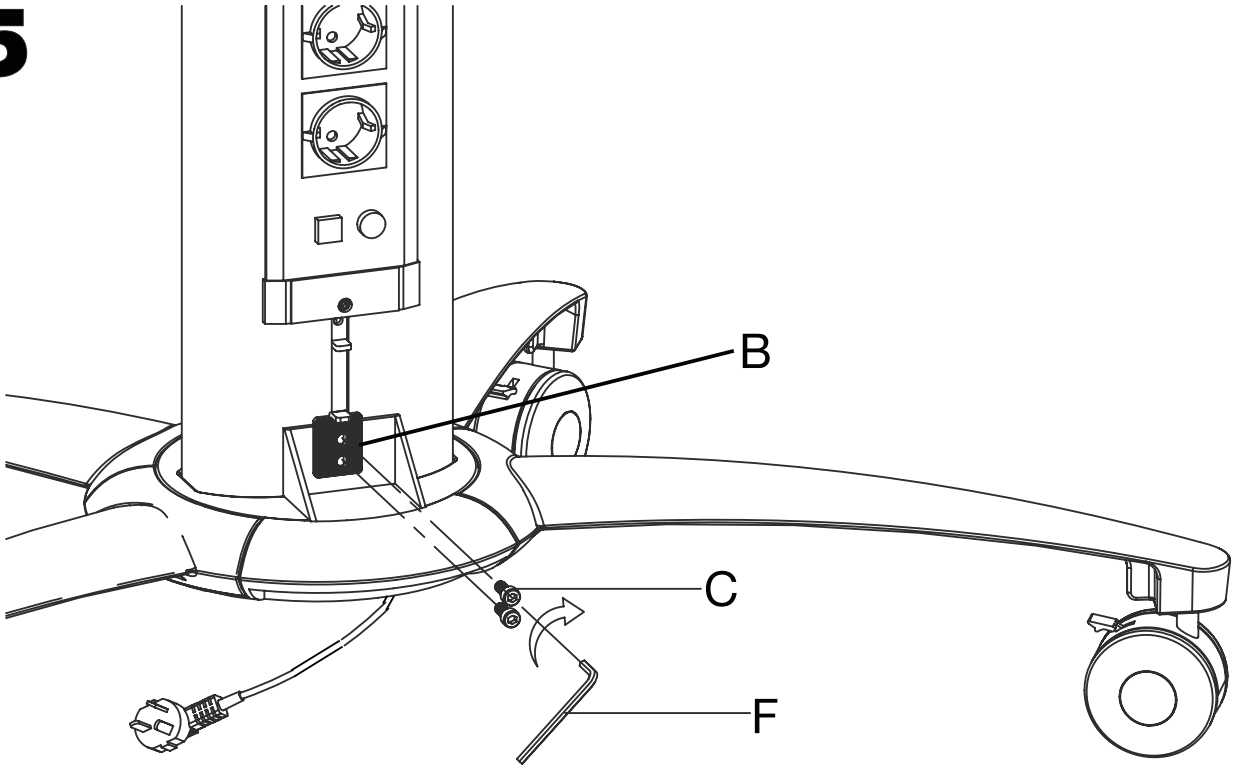


4

Slide Piece B into the slot on Piece 4

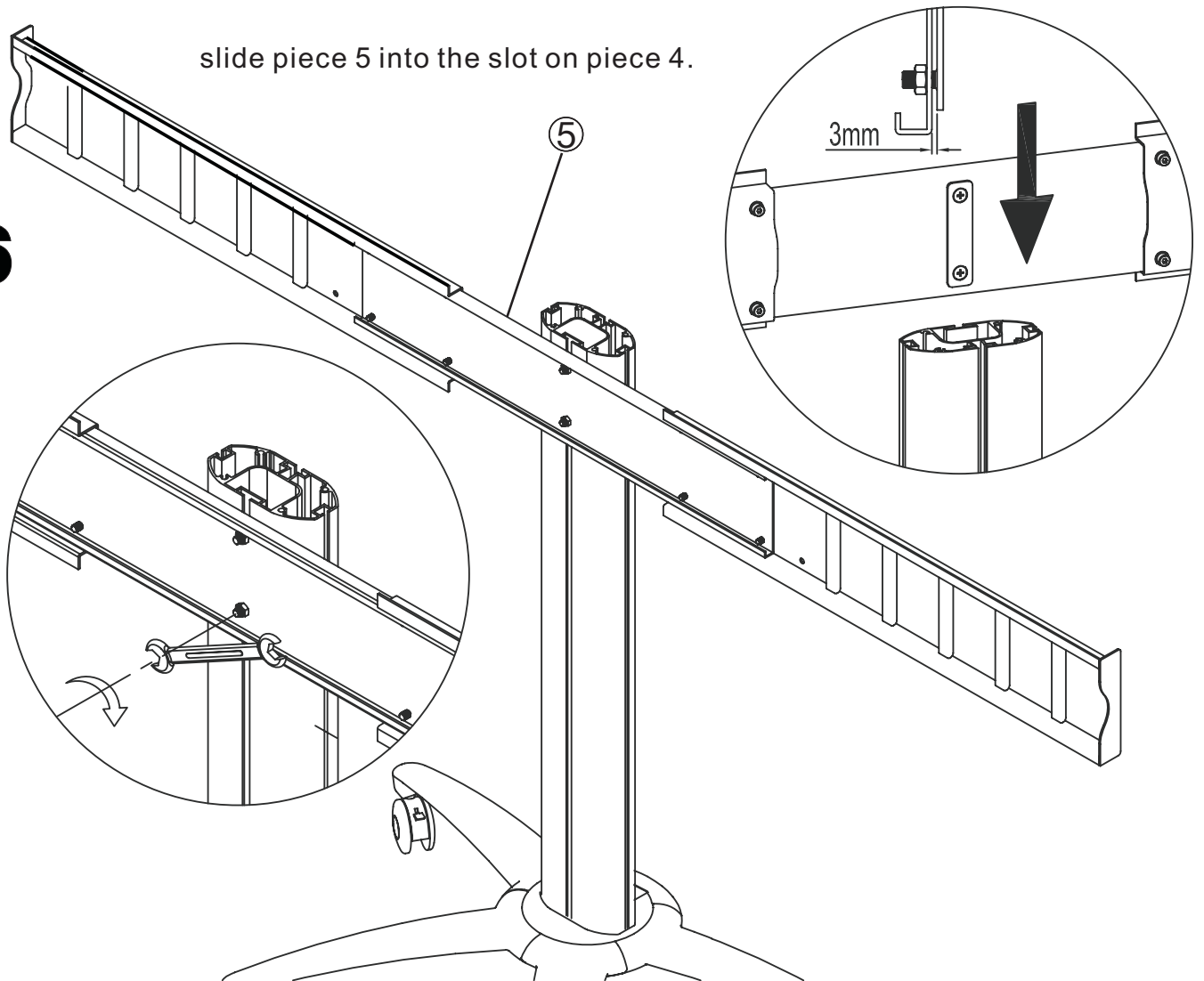


5

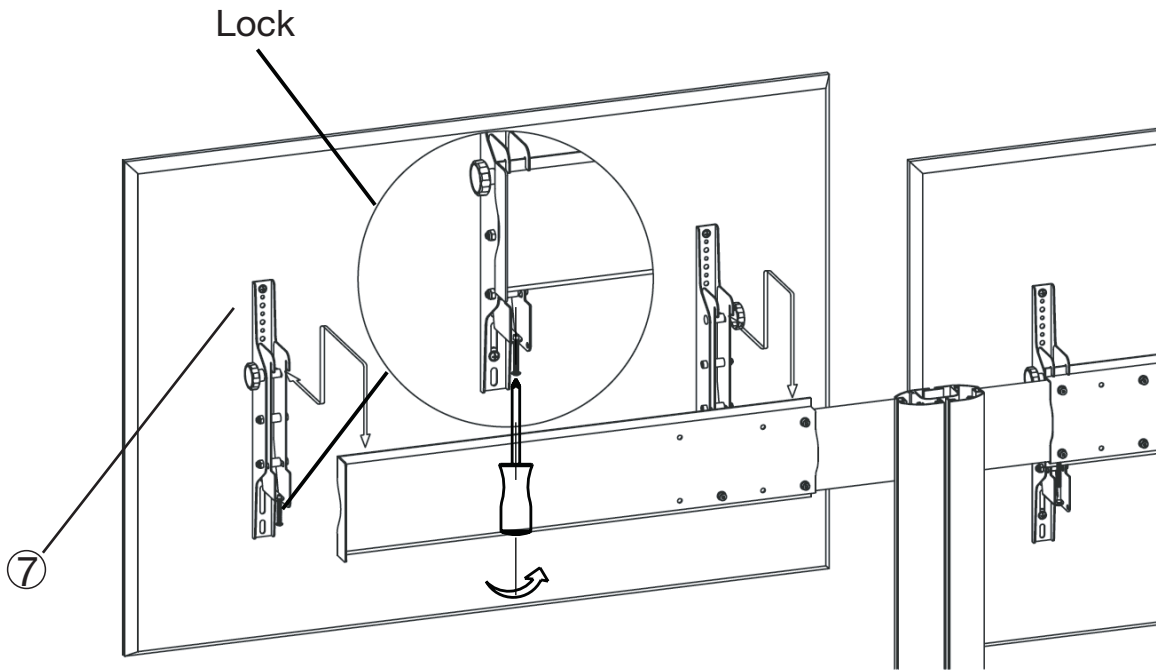


slide piece 5 into the slot on piece 4.

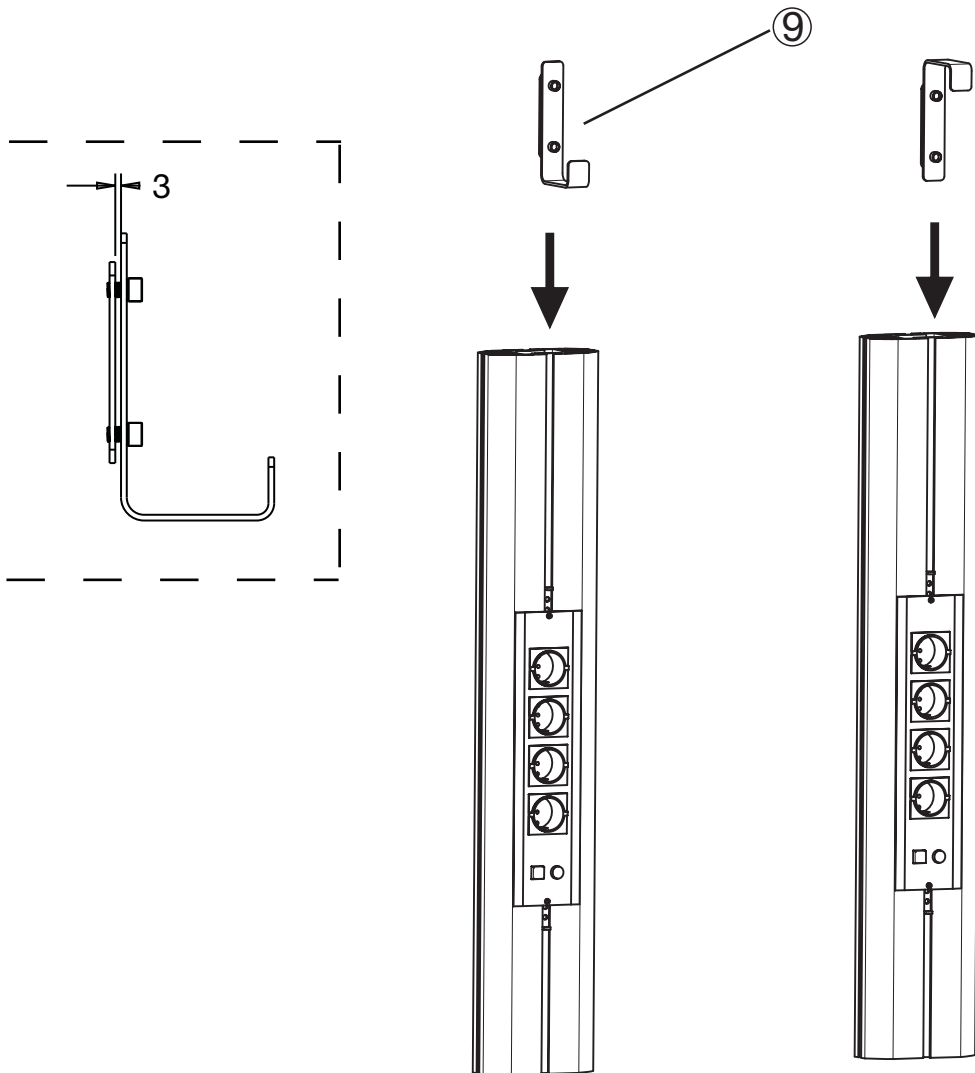
6



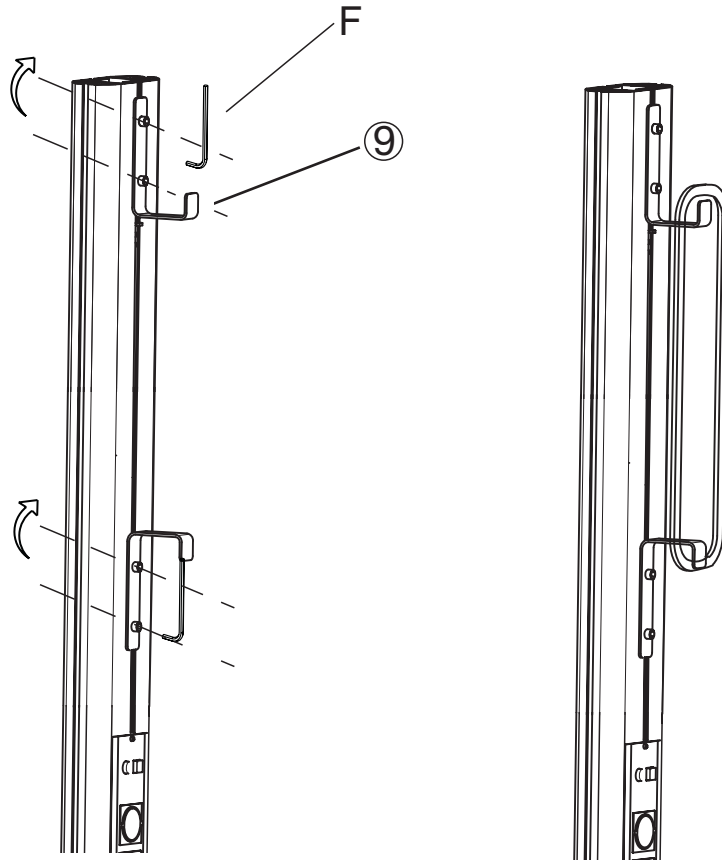
7



8

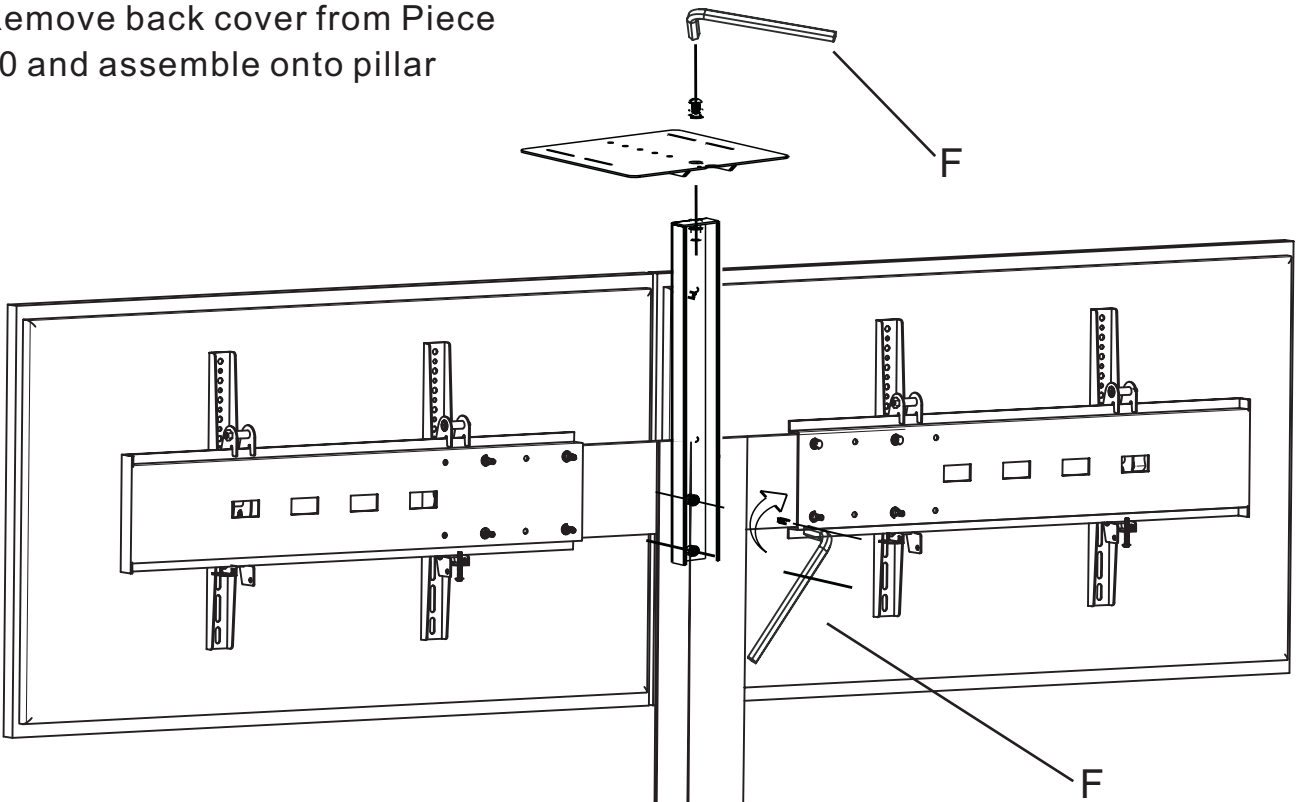


9

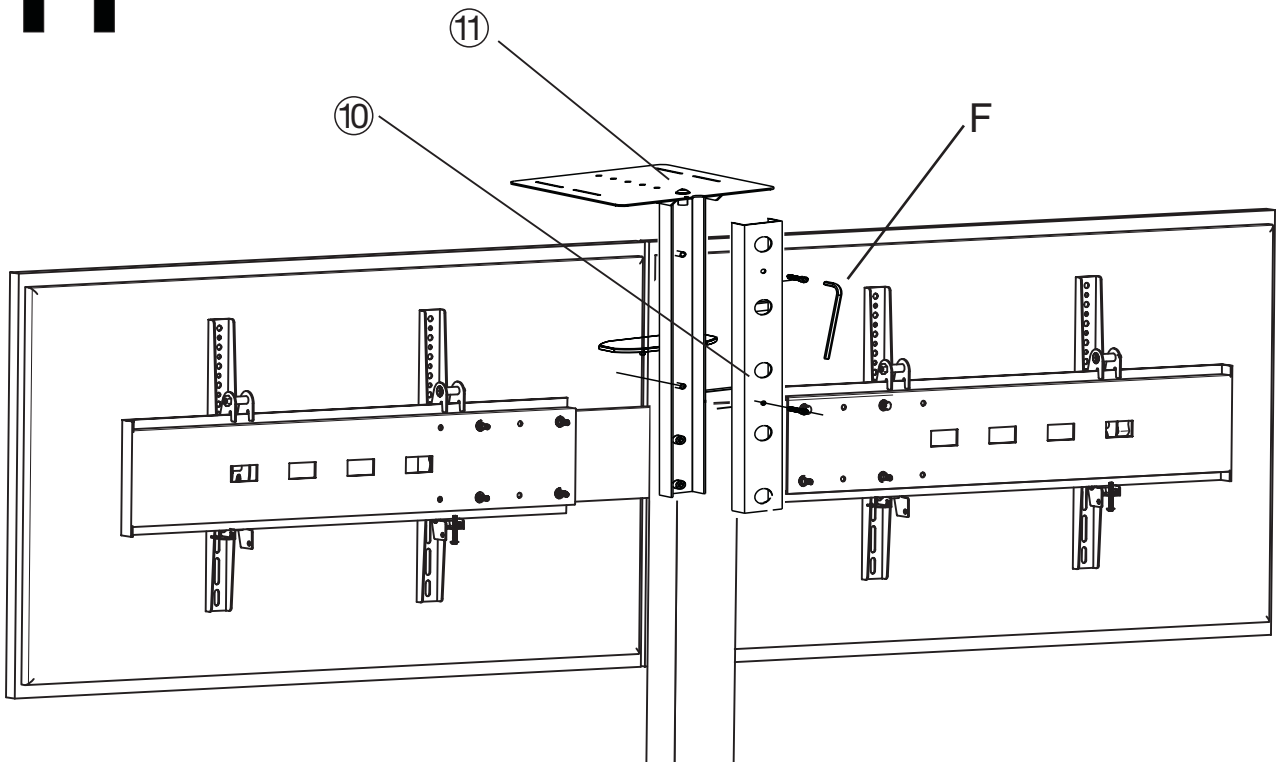


10

Remove back cover from Piece 10 and assemble onto pillar



11



12

