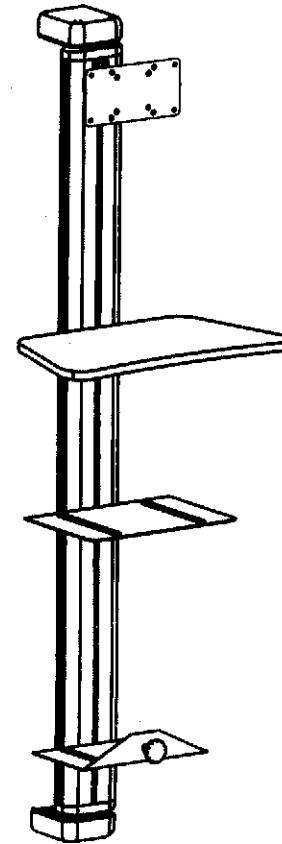


DISPLAYS2GO

LPGPSITW1



10-32"
25-80cm

Max
80kg
[176lbs]



MAX 200*100



NOTE: Read the entire instruction manual before you start installation and assembly.

WARNING

Do not begin the installation until you have read and understood the instructions and warnings contained in this installation sheet. If you have any questions regarding any of the instruction or warning, please contact your local distributor.

This mounting bracket was designed to be installed and utilized **ONLY** as specified in this manual. Improper installation of this product may cause damage or serious injury.

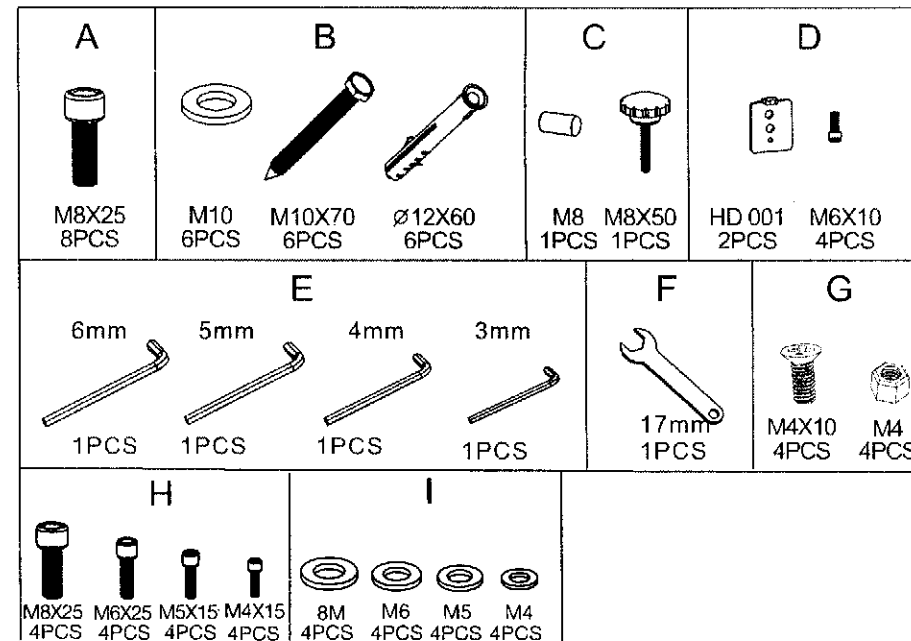
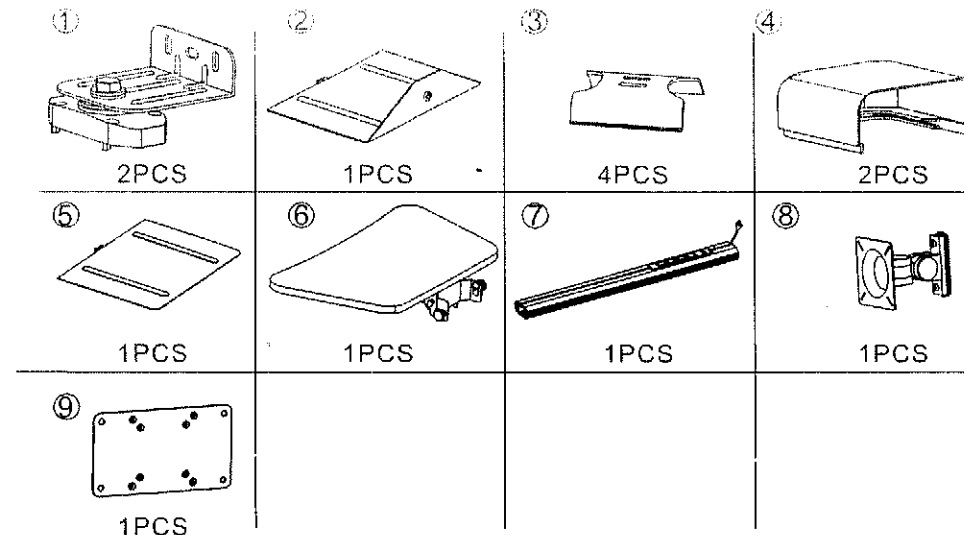
This product should only be installed by someone of good mechanical ability with basic building experience and full understanding of this manual.

Make sure that the supporting surface will safely support the combined load of the equipment and all attached hardware and components. Never exceed the maximum load capacity.

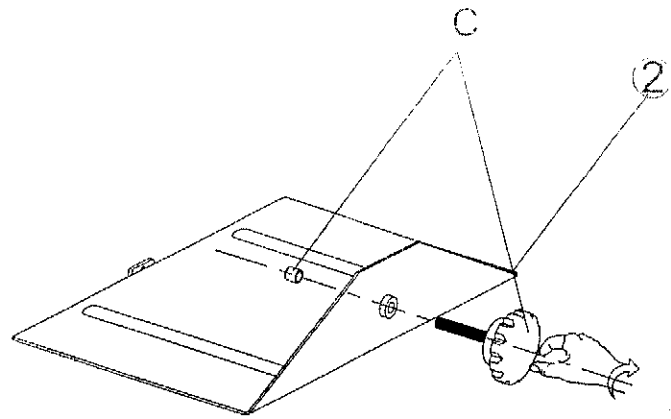
If mounting to wood wall studs, make sure that mounting screws are anchored into the center of the studs. Use of a stud finder is highly recommended.

Always use an assistant or mechanical lifting equipment safely lift and position equipment.

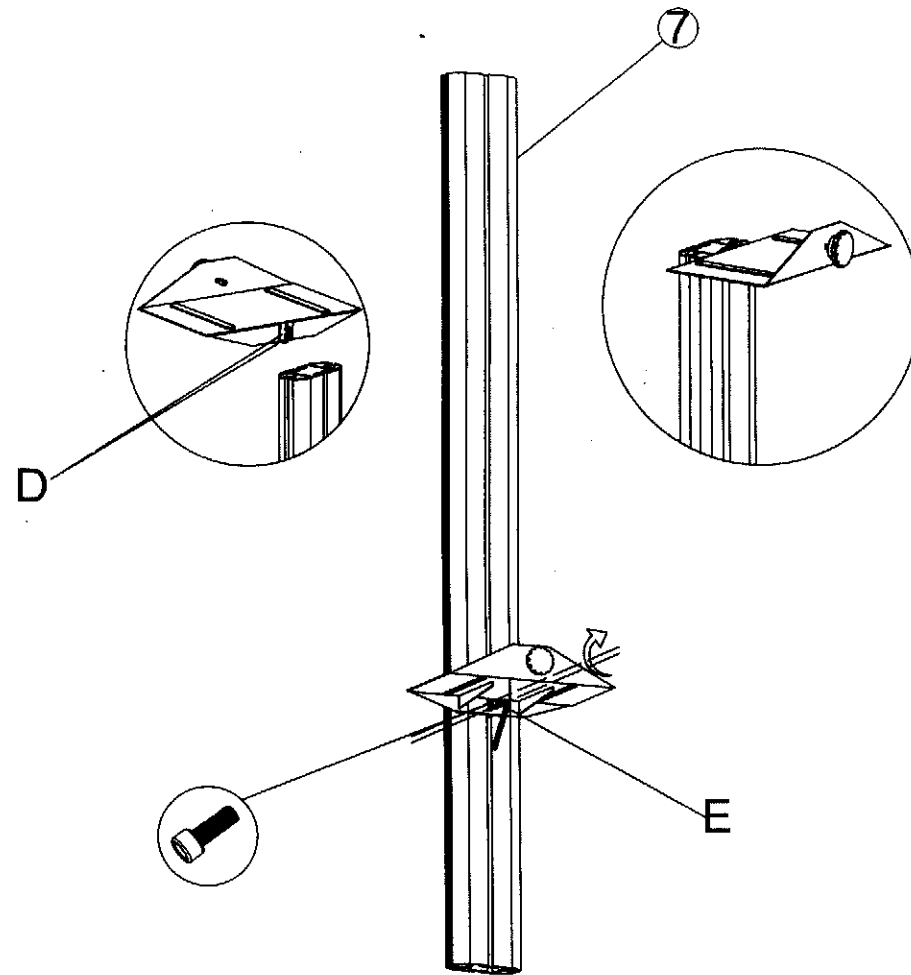
Tighten screws firmly, but do not over tighten. Over tightening can damage the items, greatly reducing their holding power.



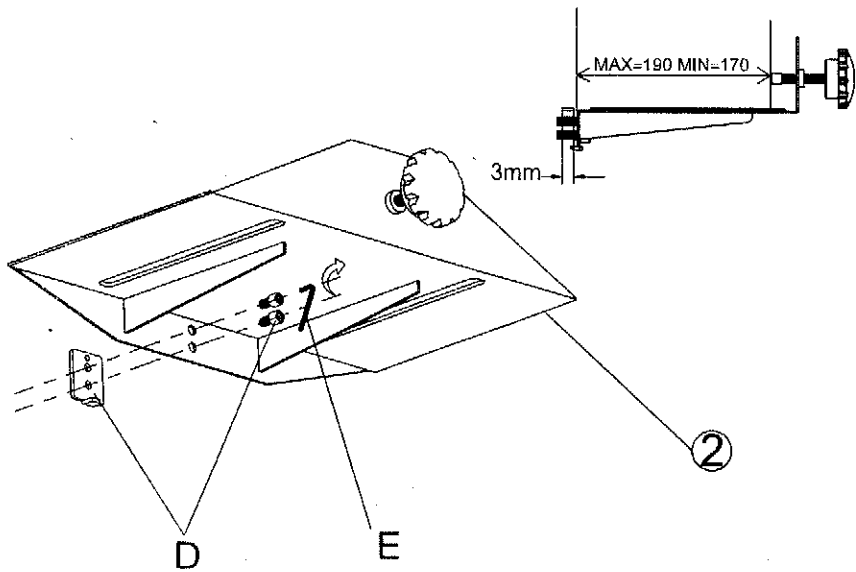
1



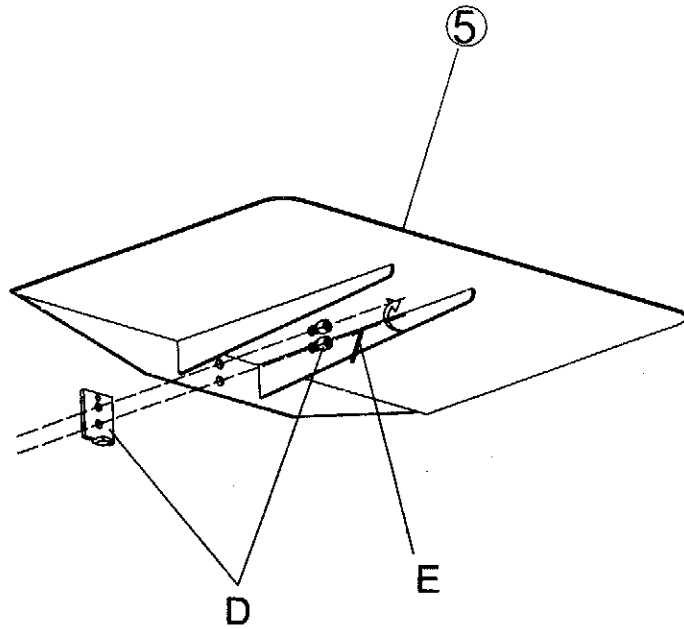
3



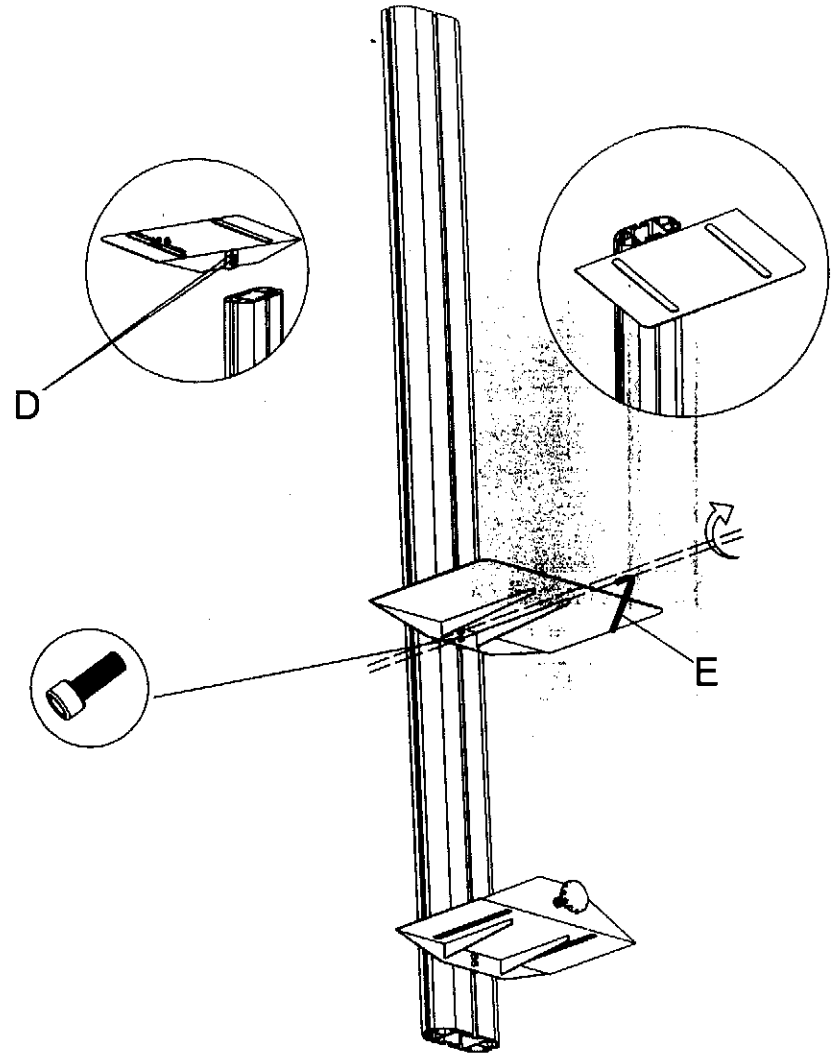
2



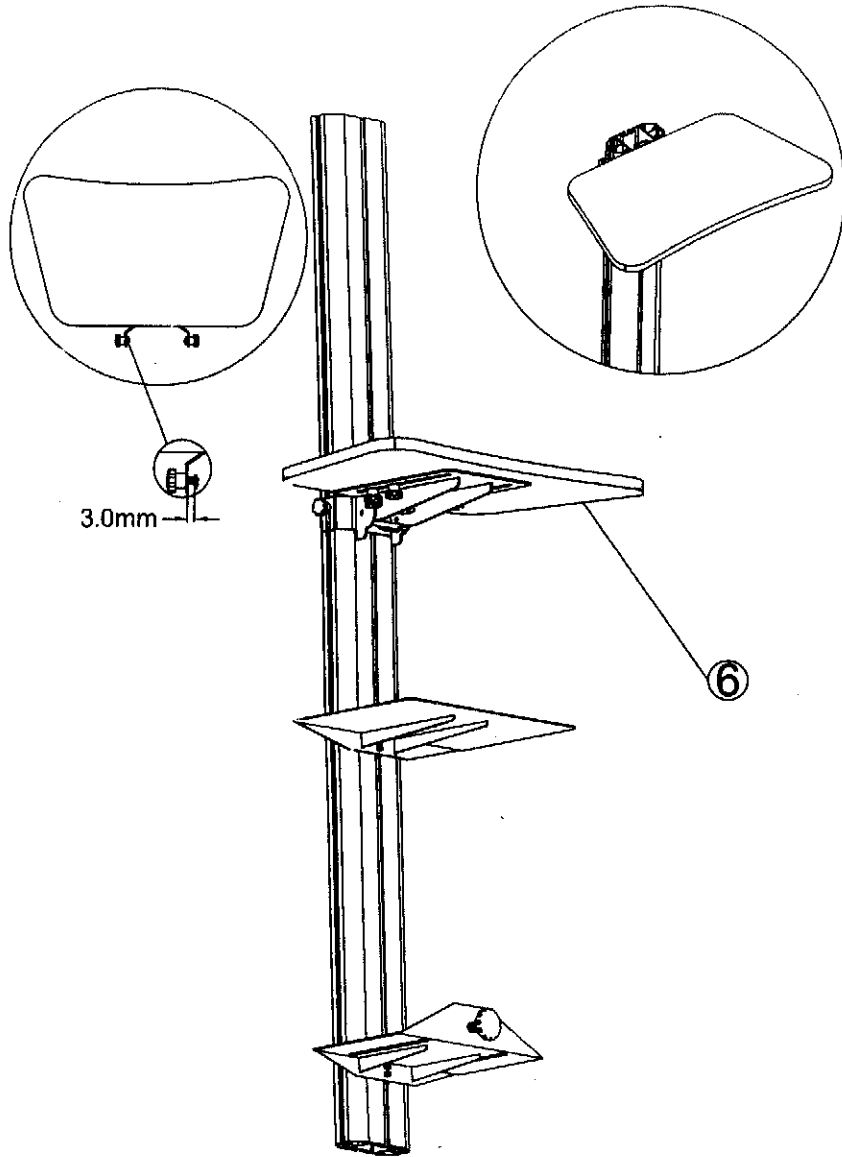
4



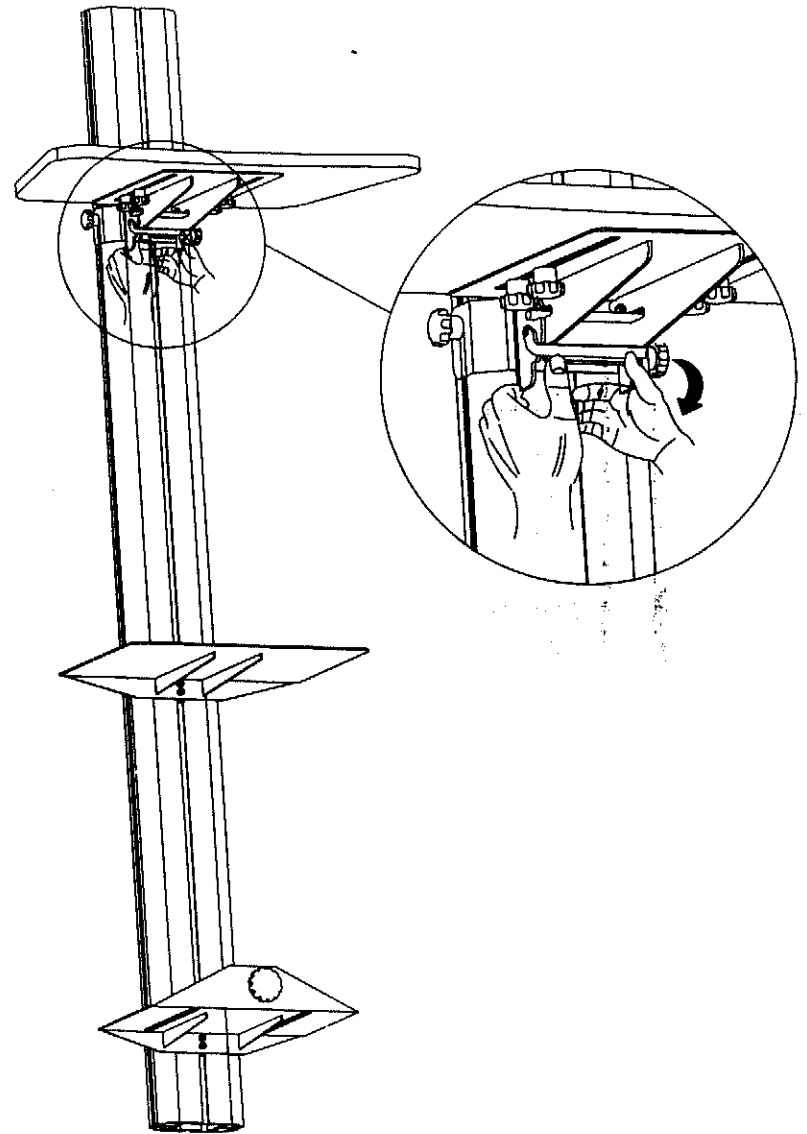
5



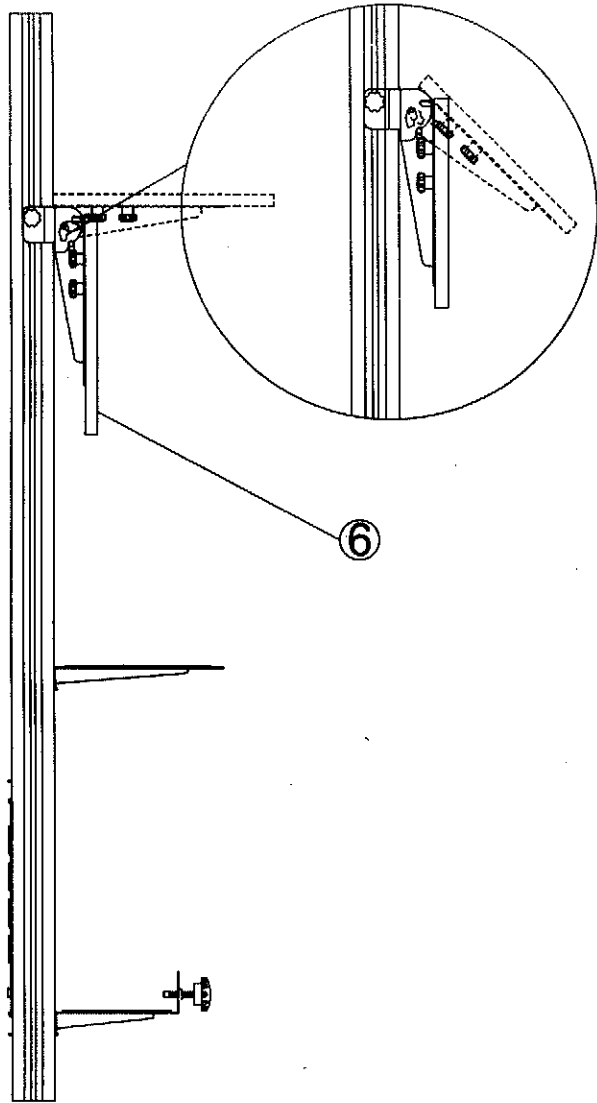
6



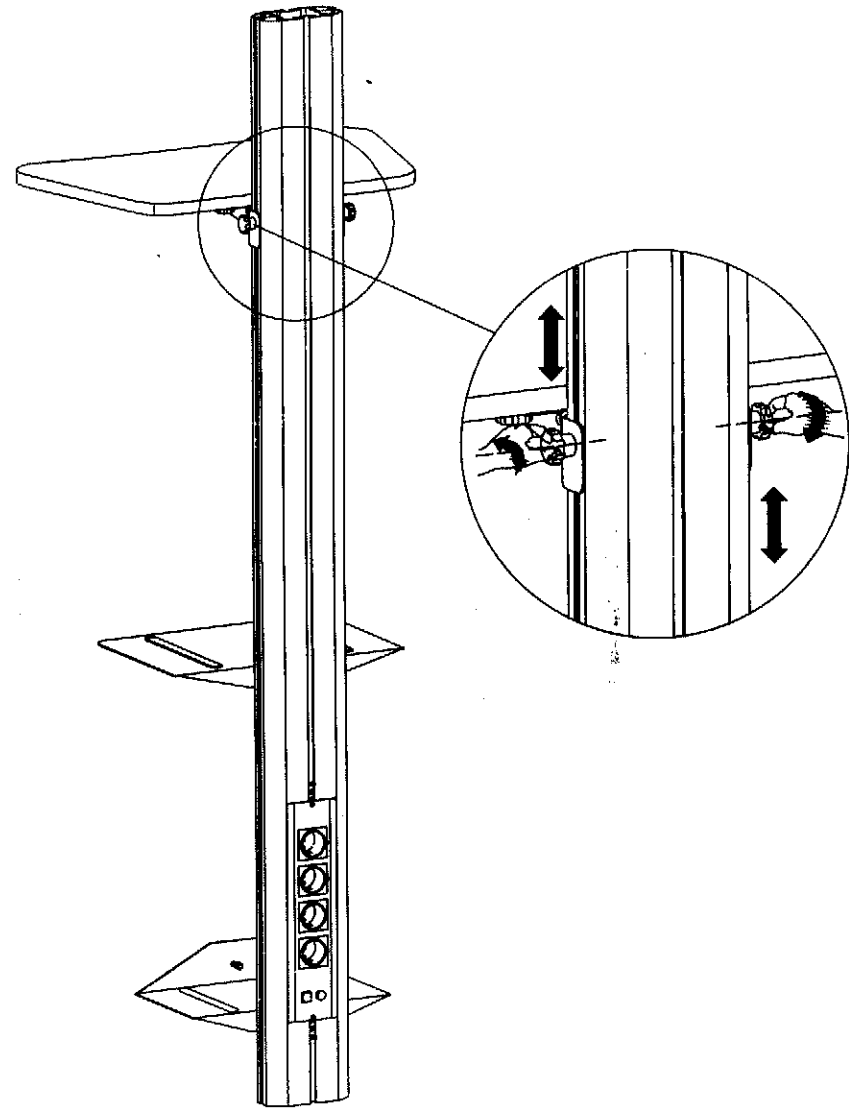
7



8

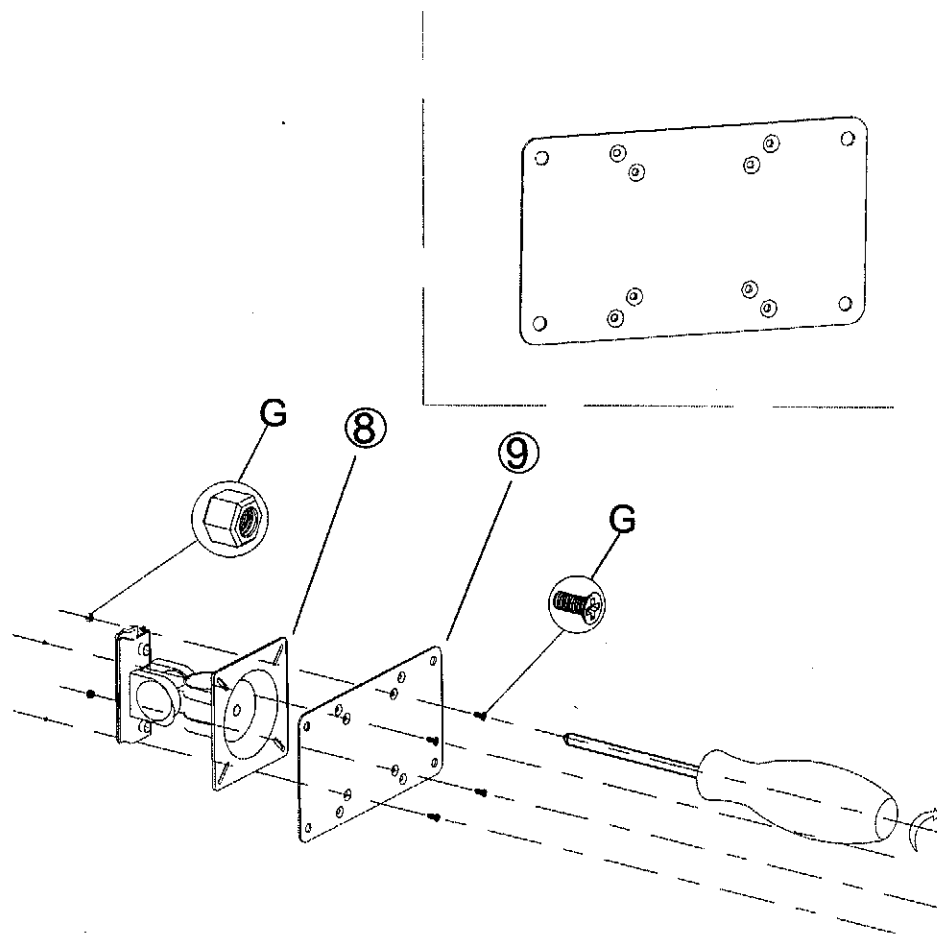


9

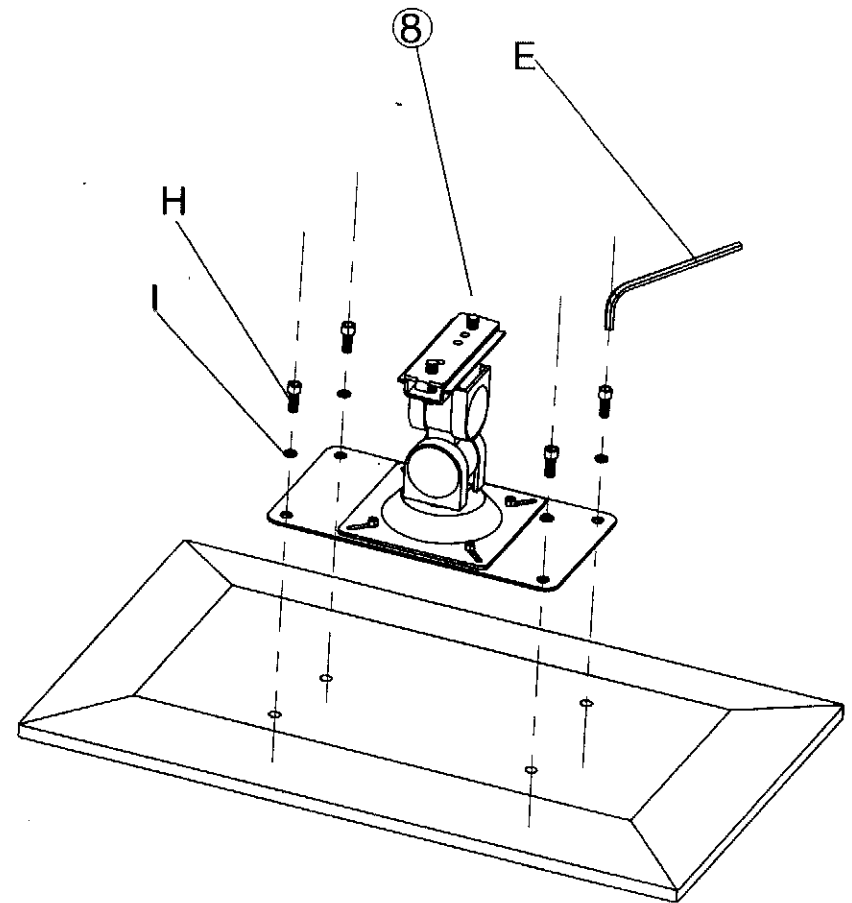


10A

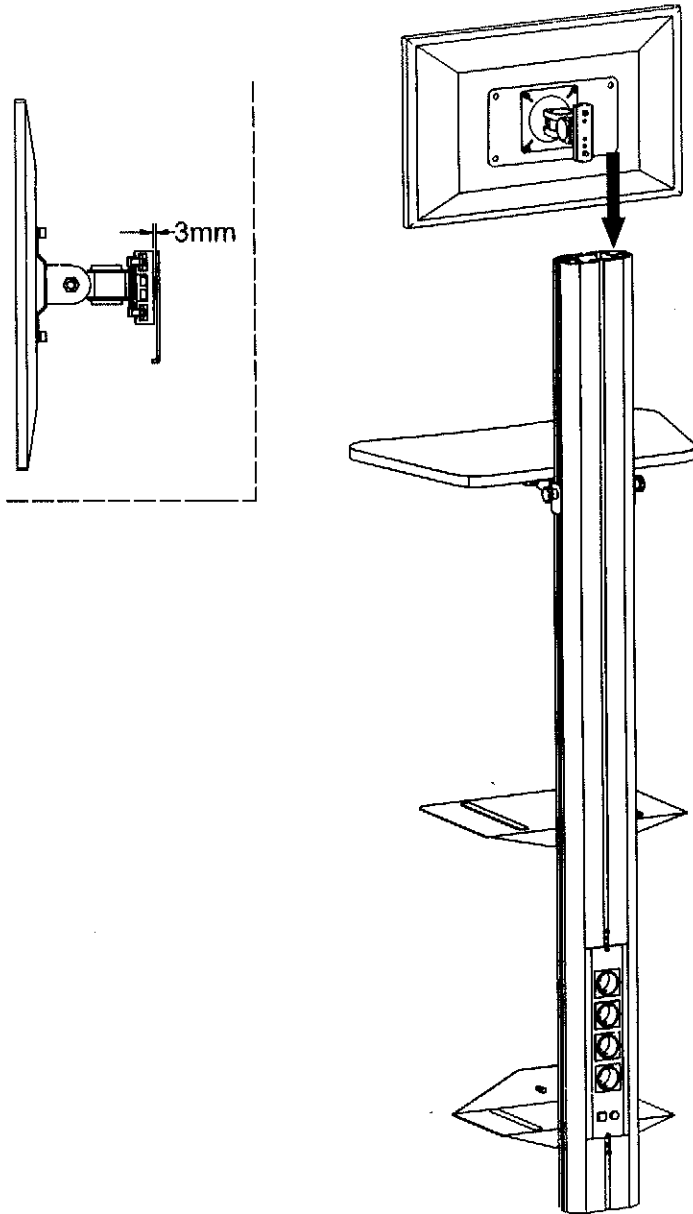
This step only applicable for screens with VESA mount pattern 200x100



10B

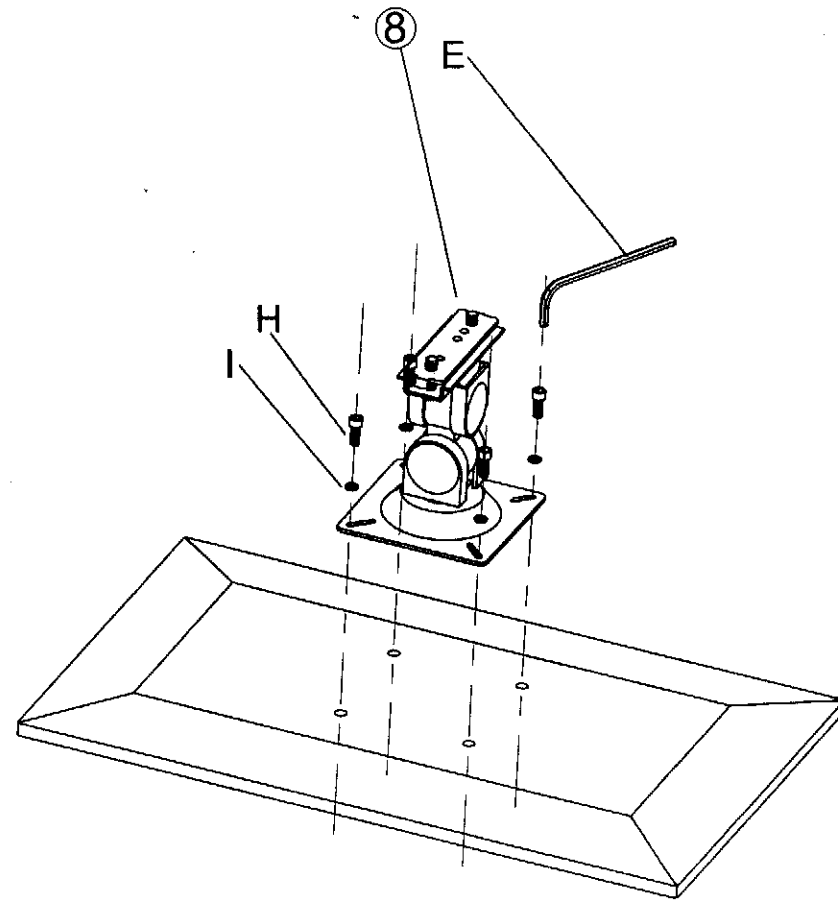


10C

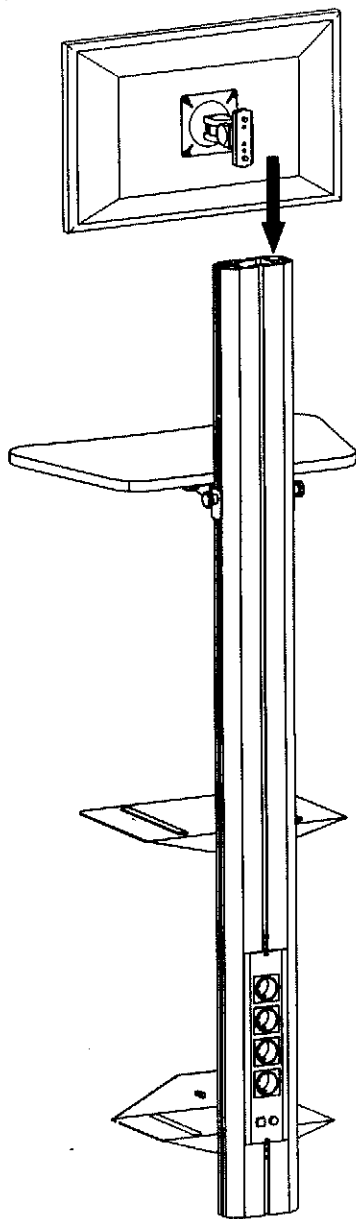
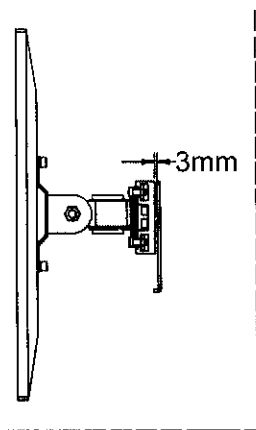


11A

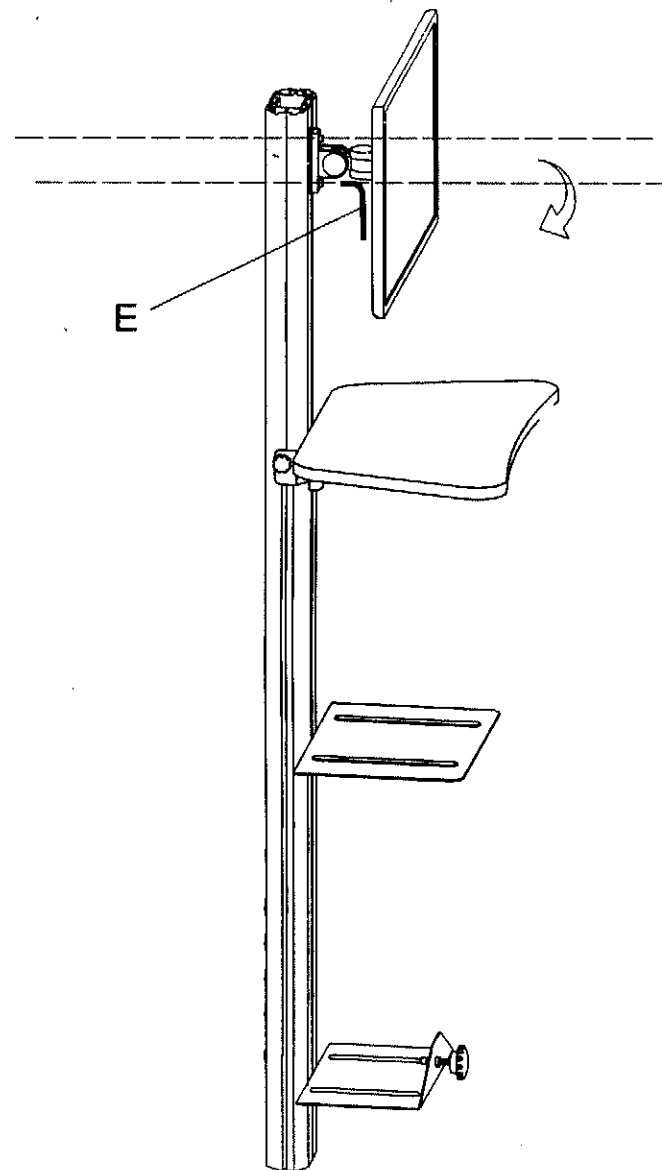
This step only applicable for screens with VESA mount pattern 75x75 or 100x100.



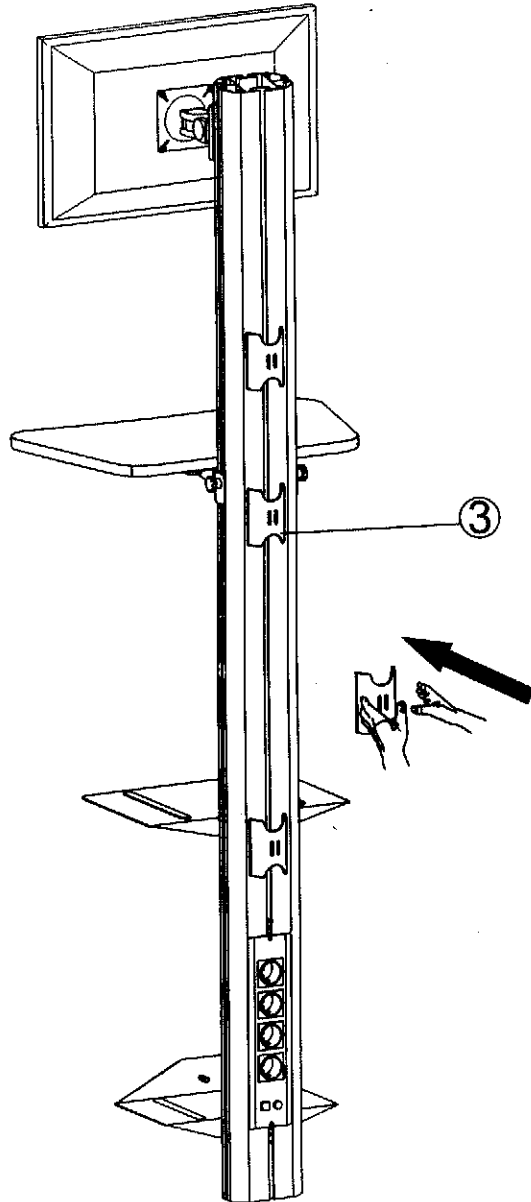
11B



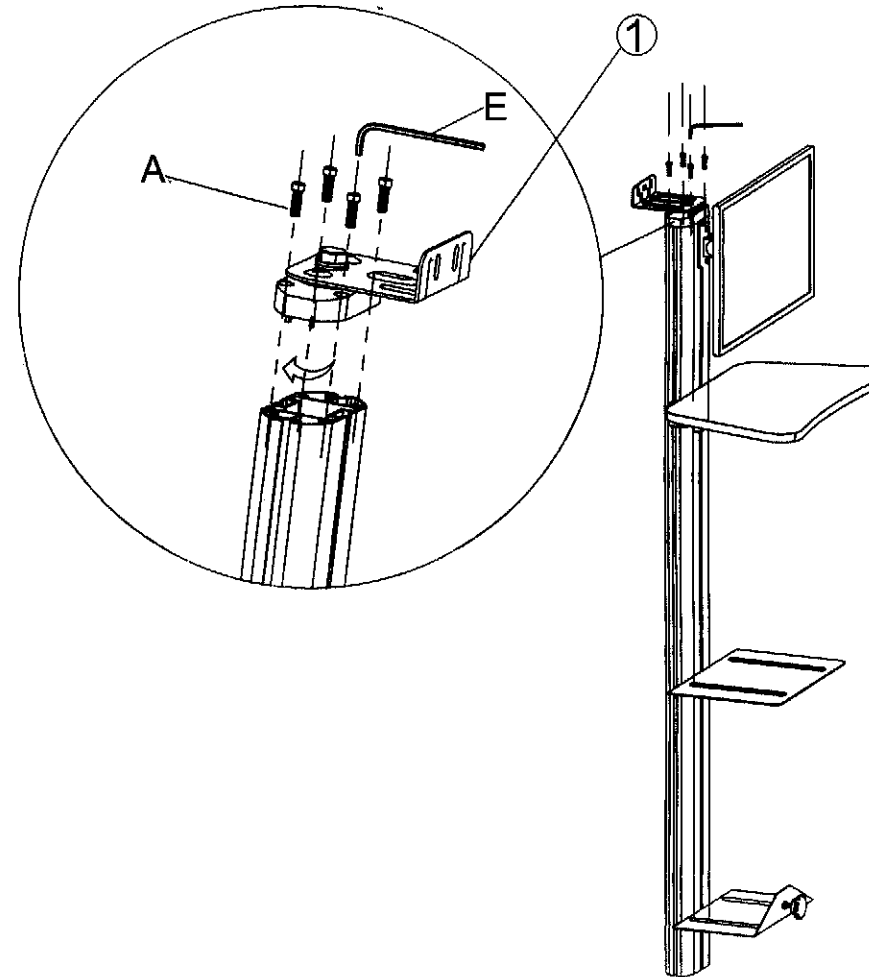
12



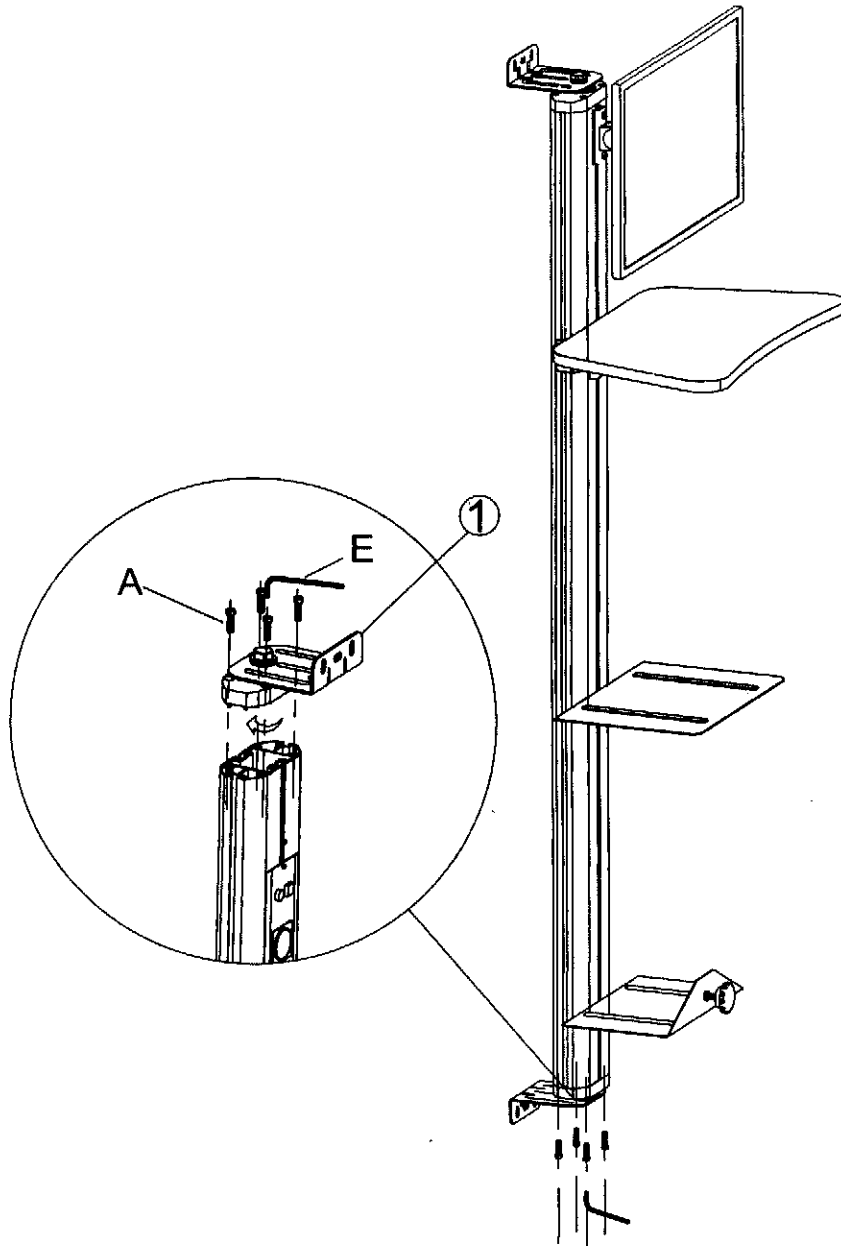
13



14

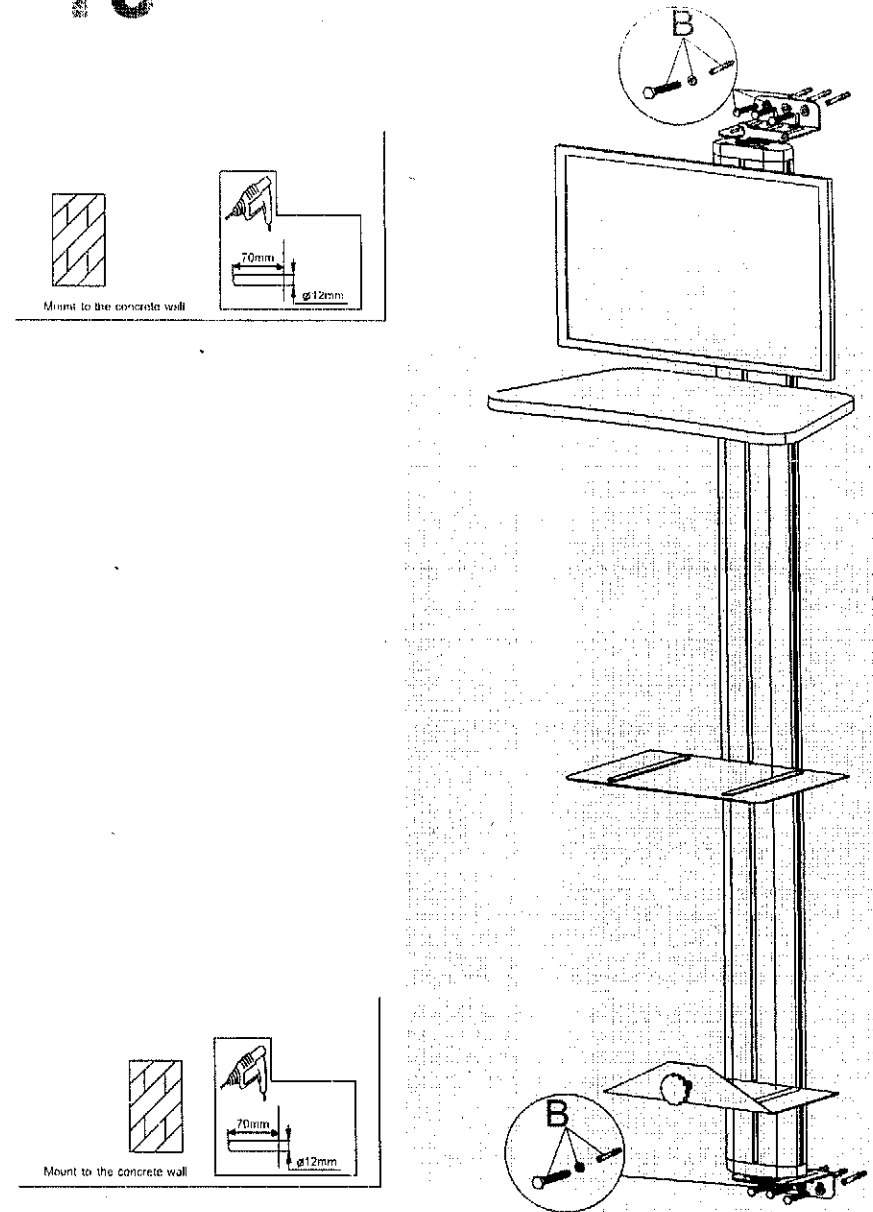


15



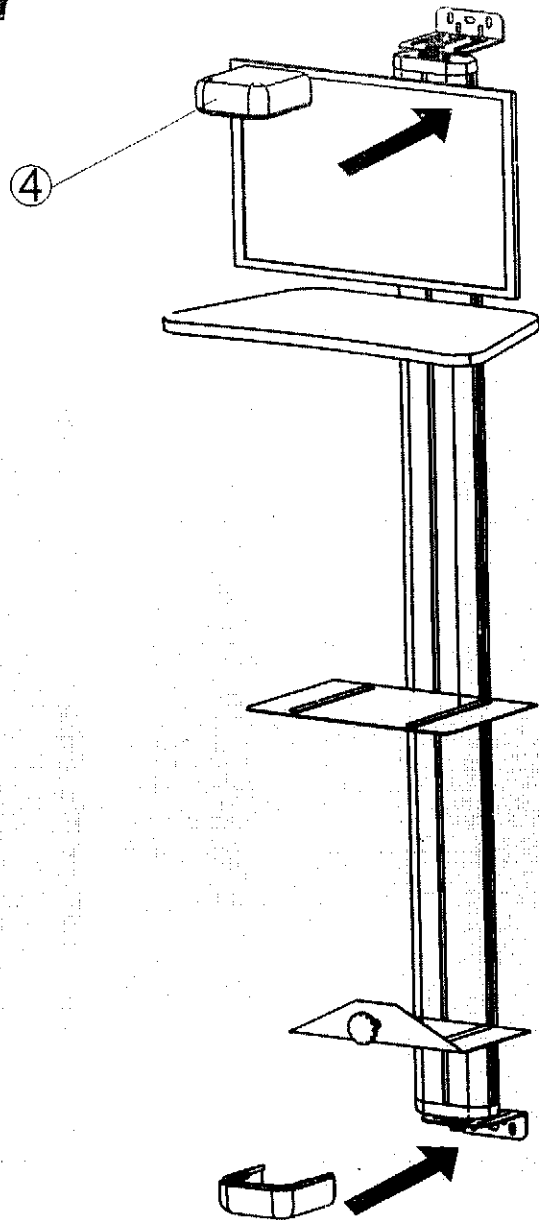
www.displays2go.com

16



www.displays2go.com

17



18

