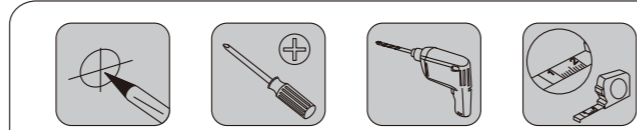
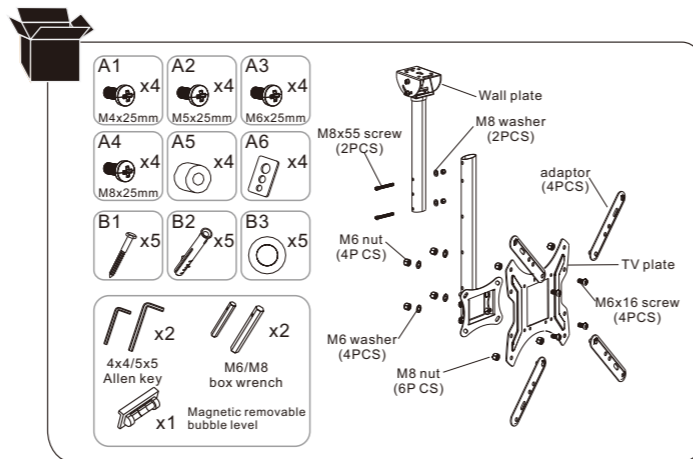
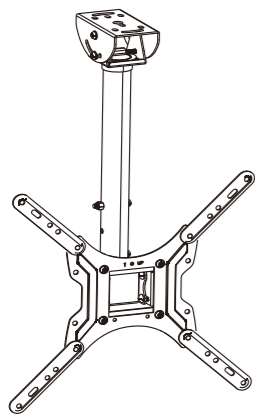


DISPLAYS2GO

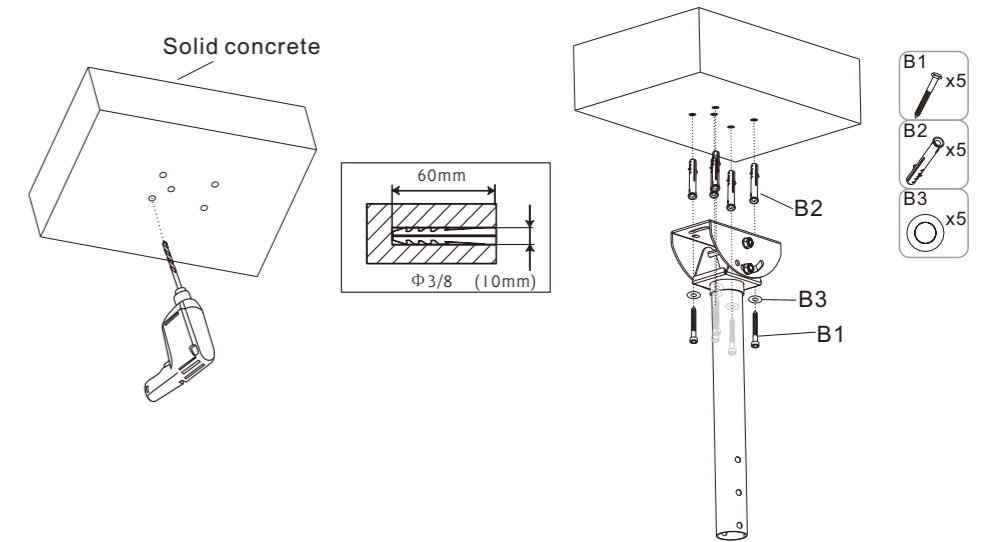
Item No.:LTCEIL20

Installation guide
 Guide d'installation
 Installationsanleitung
 Guia de instalación
 Guia de Instalação
 دليل التركيب
 Guida d'installazione
 組み立ての説明
 Инструкция по установке
 安装说明

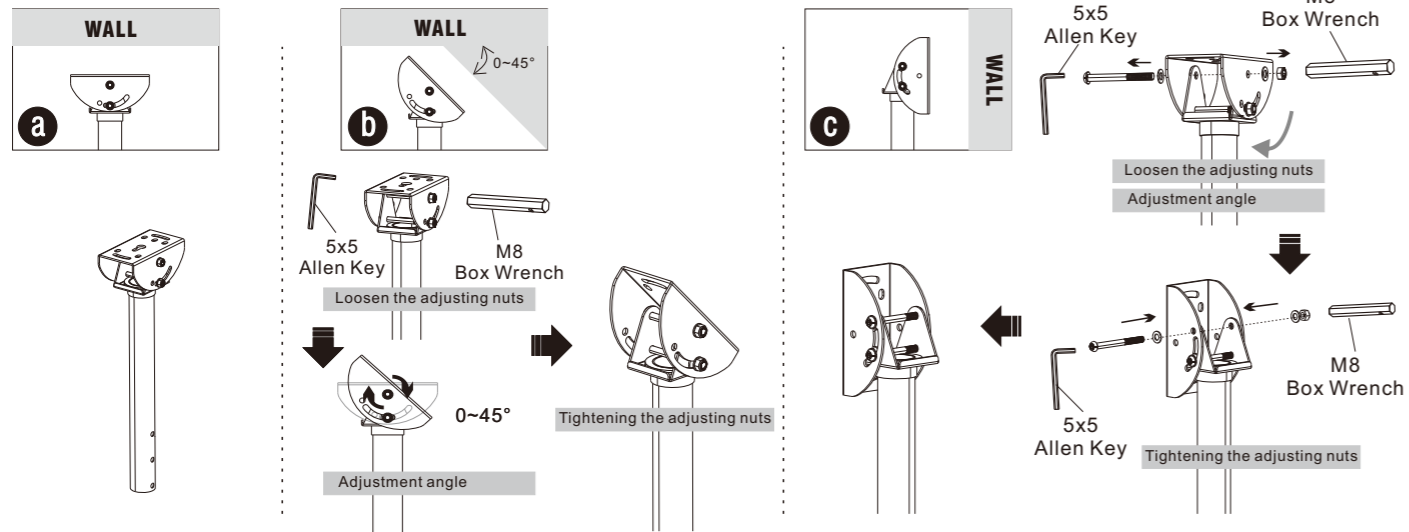


STEP3-A

Solid concrete mounting

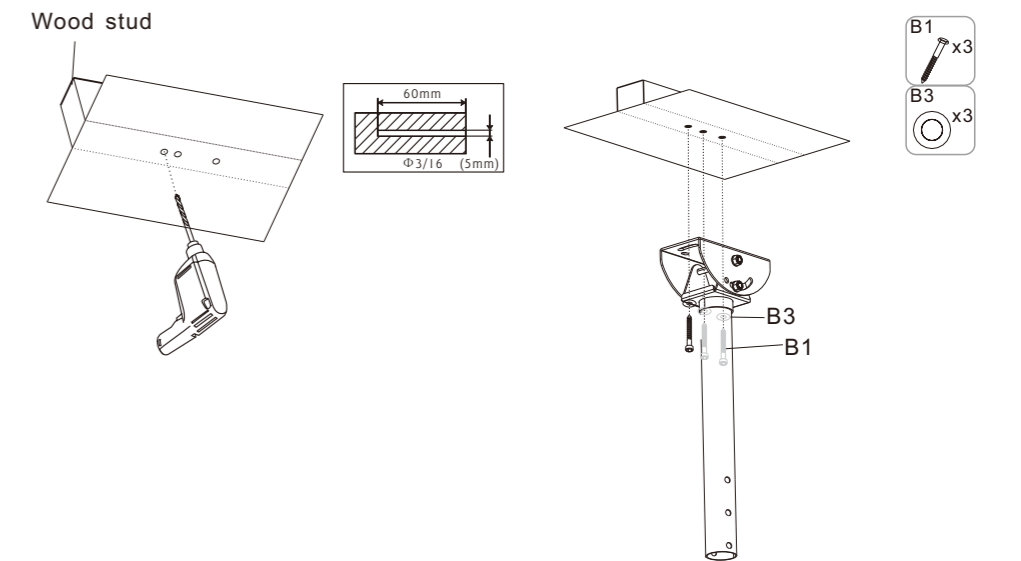


STEP1



STEP3-B

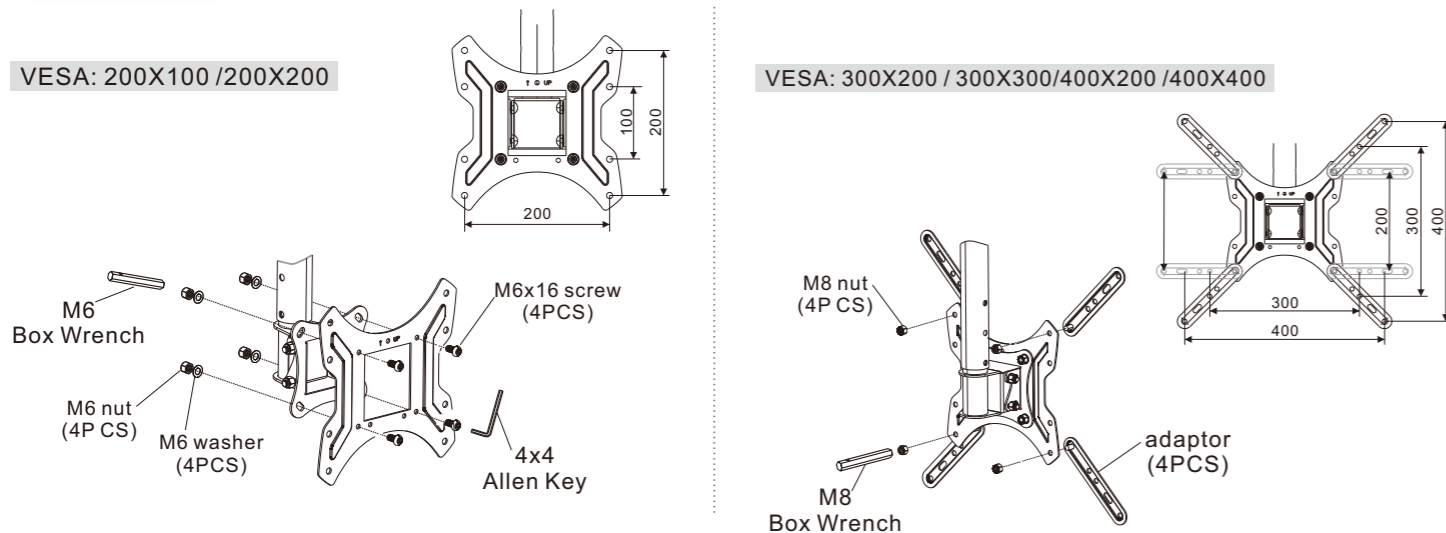
Wood Stud Mounting



STEP2

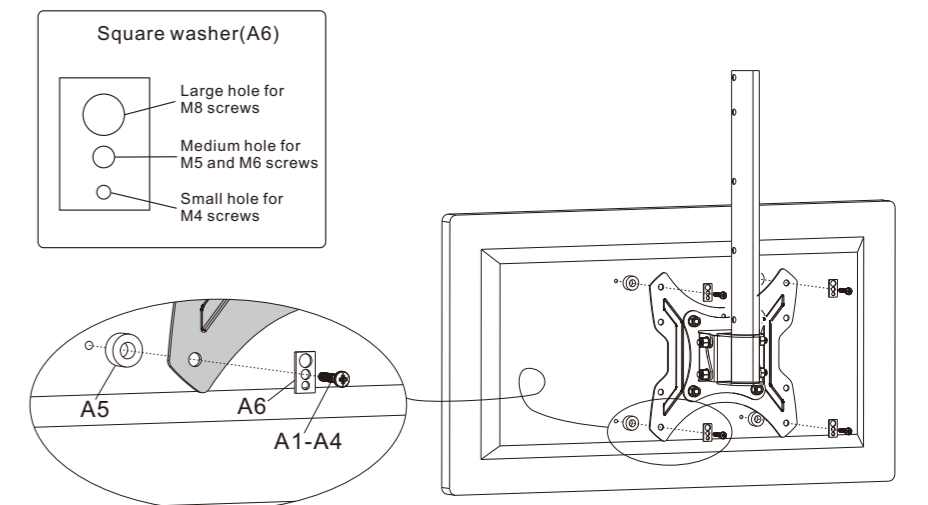
VESA: 200X100 / 200X200

VESA: 300X200 / 300X300 / 400X200 / 400X400



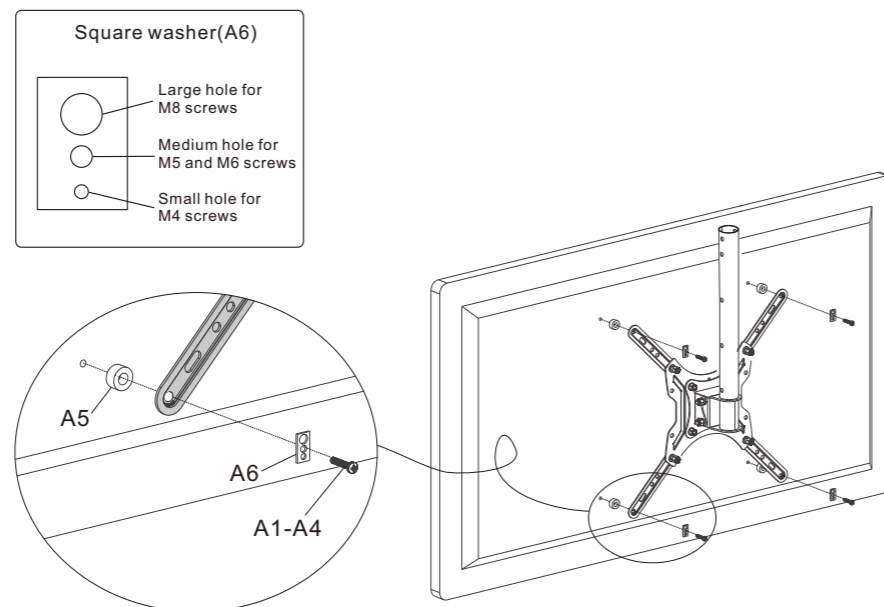
STEP4-A

Attaching the VESA plate to the monitor

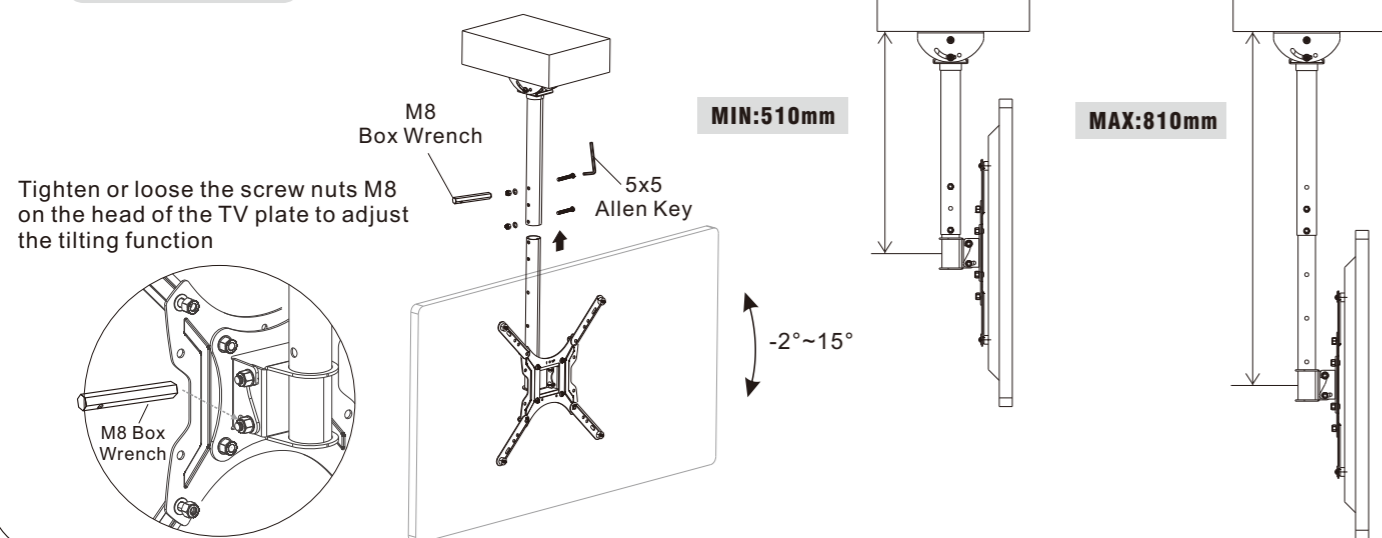


STEP4-B

Attaching the VESA plate to the monitor



STEP5



CAUTION

- This product contains small items that could be a choking hazard if swallowed. Keep these items away from young children.
- Make Sure these instructions are read and completely understood before attempting installation. If you are unsure of any part of this installation, please contact a professional installer for assistance.
 - The wall or mounting surface must be capable of supporting the combined weight of the mount and the display, otherwise the structure must be reinforced.
 - Safety gear and proper tools must be used. A minimum of two people are required for this installation. Failure to use safety gear can result in property damage, serious injury or death.
 - please check joint parts every two months, making sure the screws are loosened or not.

This product was designed to be installed on wood stud walls and solid concrete walls. Before installing, make sure the wall will support the combined load of the equipment and hardware. Never exceed the maximum load capacity 30 KG, or else it may result in product failure or personal injury.

Note: this product is intended for indoor use only. Use of this product outdoors could lead to product failure or personal injury.