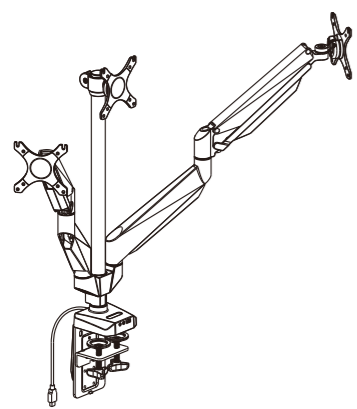


Item No.:LTGAS3ARM

Installation guide



VESA  
100x100  
75x75

10°-24°

2-9kg  
Clamp

18kg  
Grommet

-90°-15°

M4X12MM A(12PCS)	M5X12MM B(12PCS)	M6X12MM C(3PCS)	M6X14MM D(2PCS)	φ6.5Xφ13X2.0 E(24PCS)
2.5X2.5MM F(1PCS)	4X4MM G(1PCS)	5X5MM H(1PCS)		

① Arm connector	1PCS	1
② Column	1PCS	2
③ Fixed wreath	1PCS	
④ Cable cover	1PCS	3
⑤ Anti-slip rubber	2PCS	
⑥ Knob	1PCS	4
⑦ Cable cover	1PCS	5
⑧ Bottom support	1PCS	6
⑨ TV plate	1PCS	7
⑩ Bottom support	1PCS	
⑪ Screw	1PCS	
⑫ Washer	1PCS	8
⑬ Pressure plate	1PCS	
⑭ Knob nut	1PCS	



## STEP3-A

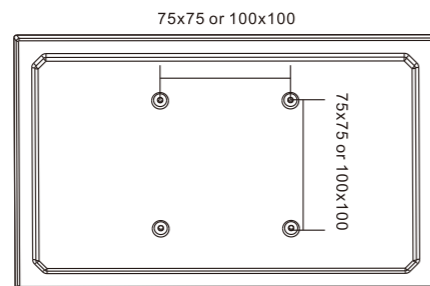
Option 1:Clamp

▲ For table thickness:20-120mm  
Select right holes according to the thickness of desk

## STEP1

Preparations before installing monitor

- 1.Make sure there are VESA holes 100x100mm or 75x75mm in the monitor.If not, the mount couldn't be installed.
- 2.Remove the original fixed base of monitor.Be careful not to scratch the screen.



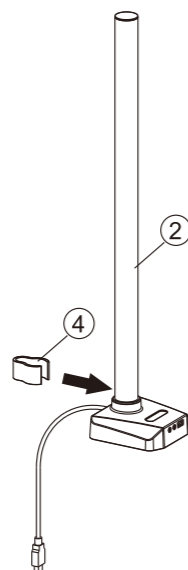
## STEP3-B

Option 2:Grommet

▲ For table thickness:25-120mm

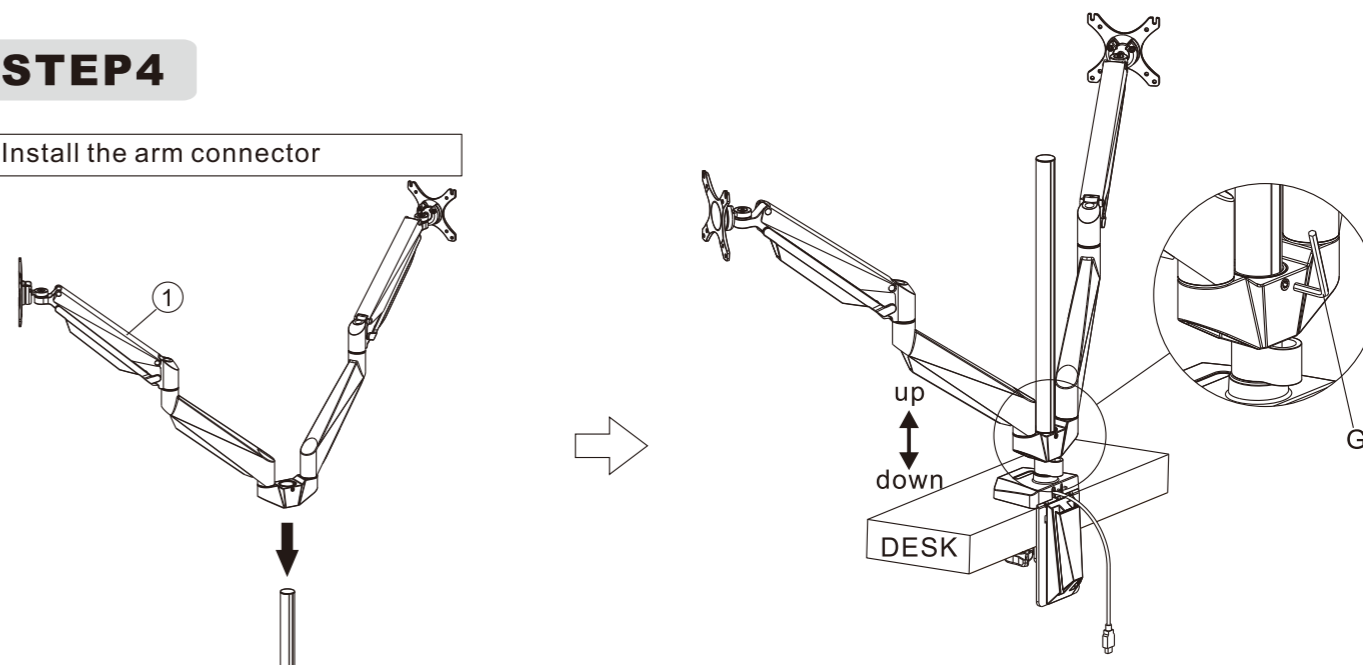
## STEP2

Install the cable cover



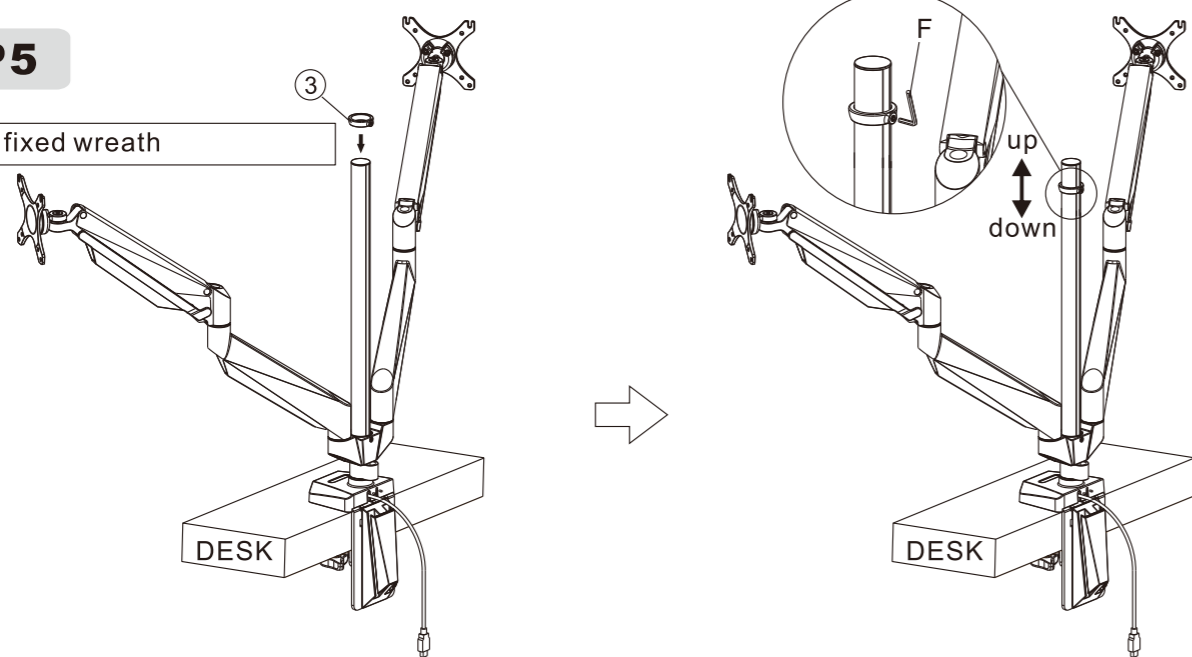
## STEP4

Install the arm connector



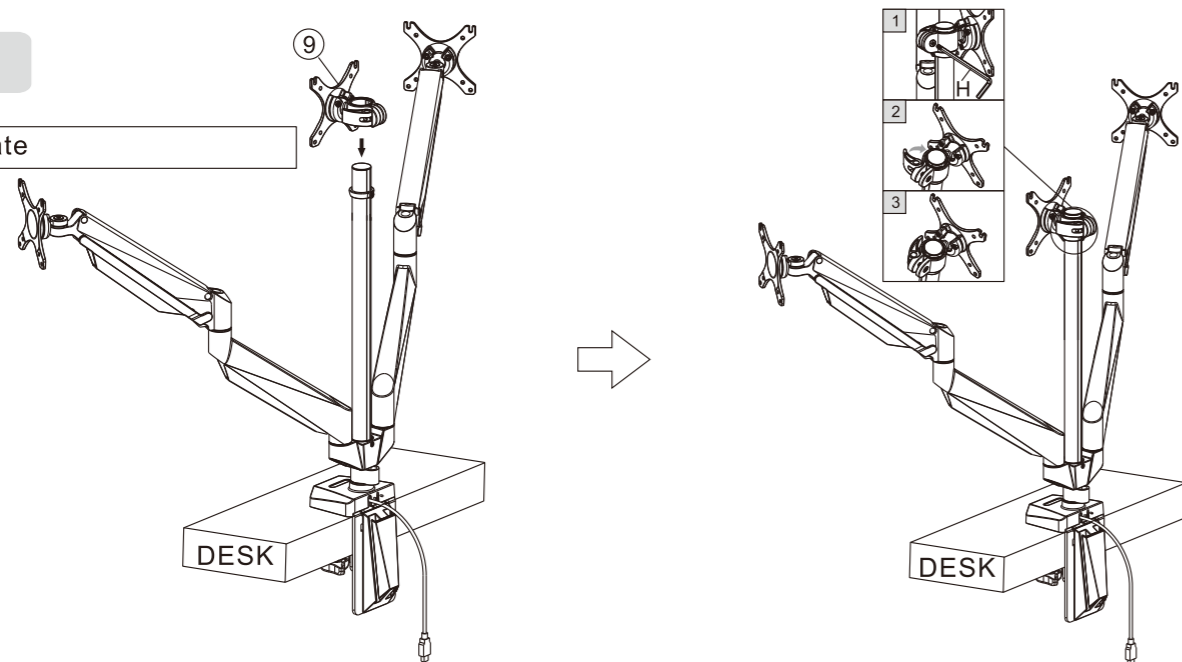
## STEP5

Adjusting fixed wreath



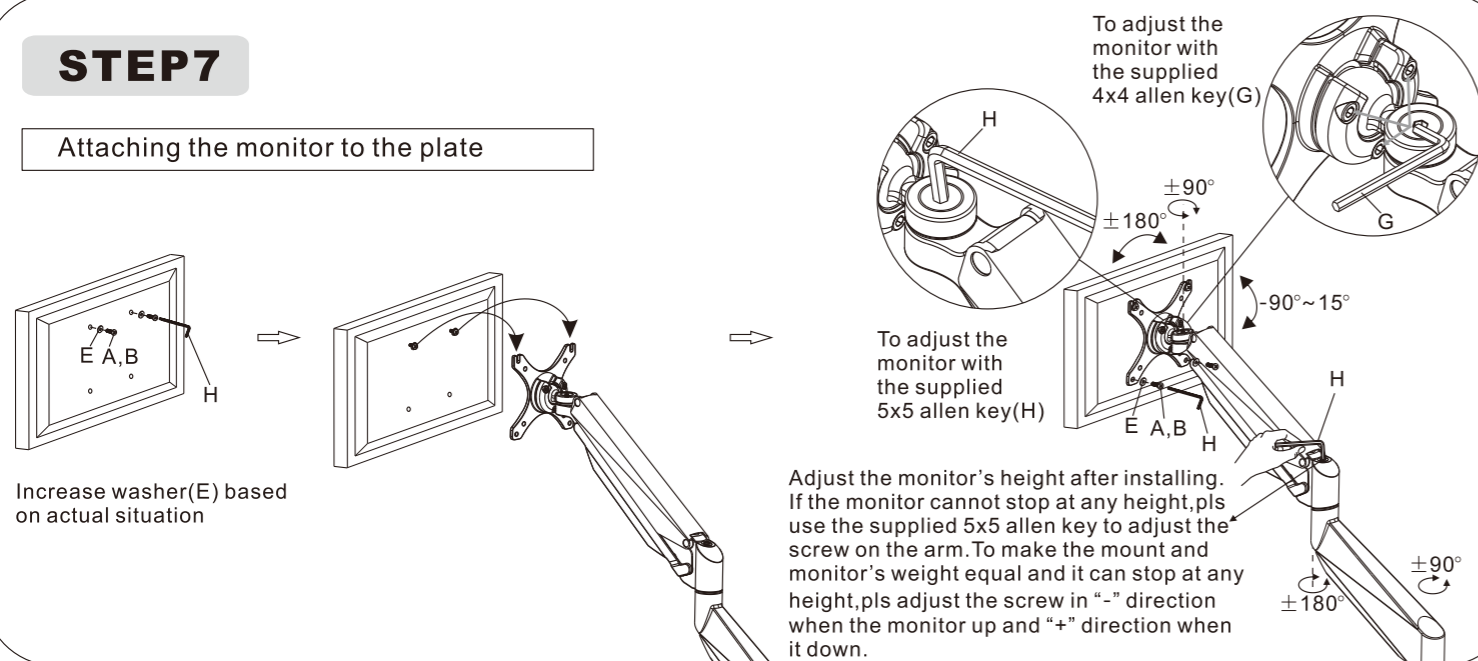
## STEP6

Install TV plate



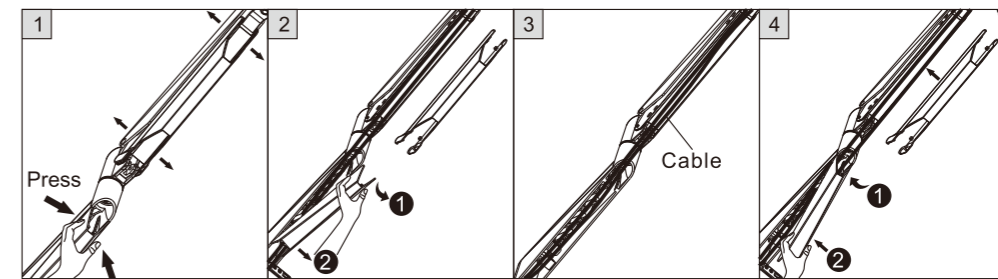
## STEP7

Attaching the monitor to the plate



## STEP8

Using cord management



## CAUTION

This product contains small items that could be a choking hazard if swallowed. Keep these items away from young children.

- Make Sure these instructions are read and completely understood before attempting installation. If you are unsure of any part of this installation, please contact a professional installer for assistance.
- The desk or mounting surface must be capable of supporting the combined weight of the mount and the display, otherwise the structure must be reinforced.
- Safety gear and proper tools must be used. A minimum of two people are required for this installation. Failure to use safety gear can result in property damage, serious injury or death.
- please check joint parts every two months, making sure the screws are loosened or not.

This product was designed to be installed on desk. Before installing, make sure the mount will support the combined load of the equipment and hardware. Never exceed the maximum load capacity 18 KG, or else it may result in product failure or personal injury.

Note: this product is intended for indoor use only. Use of this product outdoors could lead to product failure or personal injury.

MADE IN CHINA